



Product catalogue Agri

Flexibility & experience



Agri



Contents

	Product group	Model	Page
1	Carriages		9
1.1	Pallet forks frame for tractors	PFF	10
1.2	Pallet forks frame for telehandlers	PFF	11
1.3	Adaptor frames		12
1.4	Floating forks carriage	FFC	14
2	Hinged carriage		17
2.1	Hinged carriage	ZQF	18
3	Bale grippers		23
3.1	Bale gripper – round bales	CH-RO	24
3.2	Bale gripper – square bales	CH-SQ	26
4	Manure forks		29
4.1	Manure fork for tractors	MF	30
4.2	Manure fork for telehandlers	MF	32
5	Grab buckets		35
5.1	Grab bucket for tractor	GBU	36
5.2	Grab bucket for telehandler	GBU	38
6	Loading buckets		41
6.1	Loading buckets for tractors	BU-Agri	42
6.2	Loading buckets for telehandlers	BU	43
7	Yard scrapers		47
7.1	Yard scraper – Agri	YSCA	48
8	Snow ploughs		51
8.1	Snow plough – Agri	SNOA	52
9	Rotators		55
9.1	Rotator without sideshifter 360°	PRC	56
9.2	Rotator with sideshifter 360°	PRC-T	58
10	Box rotators		61
10.1	Box rotator 180°	RLW	62
11	Broke handlers		65
11.1	Broke handler	ZKB	66
12	Forks & fork extensions		69
12.1	Pin-type forks	Forks	70
12.2	Fork	Forks	72
12.3	Fork extension – closed	EXT	74
12.4	Fork extension – open	EXT2	75



About CAM attachments®

CAM attachments

CAM attachments products are recognised for their high quality standards and reliability. Thanks to our extensive accumulated experience, we can offer you a wide range of high-quality attachments. We have two operational product plants: one in Italy and one in China. Thanks to the strategic location of both production plants, we are able to fully meet the demands of the business, the customers and local customisation as well.

We have achieved great popularity in Western European countries such as Italy, France, the UK, Portugal, Germany, Spain and Belgium. We sell our products in more than 80 countries all over the world.

Product portfolio

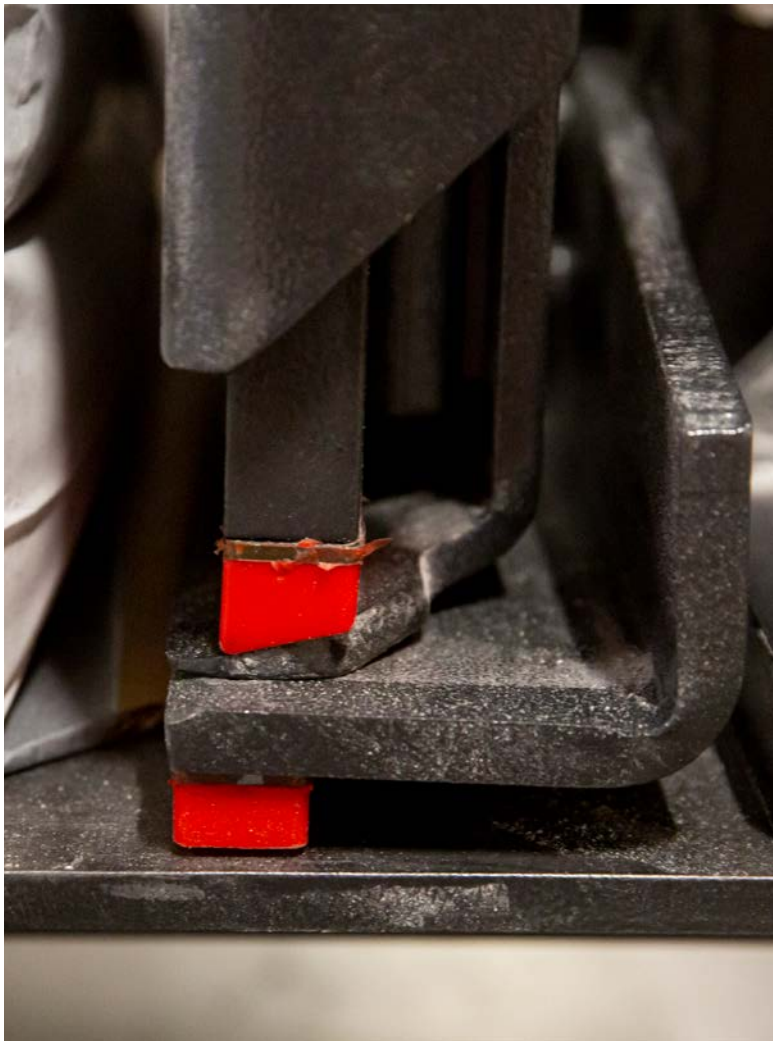
We developed our product range by examining our customers' internal processes and producing attachments that are tuned

to their specific needs. As such, we offer a comprehensive variety of attachments for different industries and types of machines. Our sideshifters, fork positioners, multi-fork positioners, bale clamps, fork clamps, 180°- and 360°-rotating clamps, carton clamps and paper roll clamps are among the products manufactured in our Italian plant, while our full range includes skips, crane jibs, snow ploughs and forks to name but a few.

This catalogue focuses specifically on the attachments for agricultural purposes.

After-sales service

We have an extensive range of spare parts immediately deliverable from stock. Furthermore, our skilled team of engineers guarantees you complete after-sales service: we offer repairs and maintenance of attachments on-site or in our workshop, as well as technical support by telephone.



Key industries

With flexibility and experience, CAM attachments creates products for all the main sectors of the market. We proudly serve the logistics industry, construction, food and beverage and agricultural sectors, as well as meeting needs in paper-handling, recycling, white goods, manufacturing and foundry applications.

Attachments for all machines

Our attachments are made for different types of machines, such as forklifts, skid steer loaders, telehandlers and tractor loaders.

Our history

1970

- › **Established** in Grignasco (Biella, Northern Italy).

2001

- › **New ownership** under Garofletti – De Luca family.
- › New location in Marano Ticino.

2002

- › Launch of **CAM System**, a dedicated brand focused on lift truck attachments.

2007

- › Introduction of a **new clamp series**, based on the development of a new extruded steel profile.

2009

- › **Supply agreement** with TVH Group.

2012

- › Acquisition by **TVH Group**.
- › A new industrial development plan with a main focus on the integration of CAM System products into the TVH global structure.

2013

- › Approval of a **new investment plan** for factory expansions and quality improvements.
- › Worldwide stock holding rolled out via TVH branches.

2017

- › Rebranding of CAM System into **CAM attachments**.
- › The new logo and style reflect our upgraded range.

2018

- › Start production plant in Xiamen, China.

2019

- › Launch CAM attachments S-line, a range of basic attachments at competitive prices.



Introduction

As a standard, all our equipment is supplied in FEM mounting class II A, III A or IV A. As such the height, ground clearance, thickness, centre of gravity and weight refer to these classes. What if these attachments are being fitted to a lift truck with a different FEM-hook class? The values shown refer to the lighter class.

FEM class II B, III B or IV B can be provided on request and at no extra cost. Mounting types not included in the categories above are considered to be special. They are only available on request and attract extra charges.

General information

All the hydraulically operated equipment indicated here, with the exception of the sideshifter, are standard fitted with pre-regulated non-return and maximum pressure valves. As the

flow rate of oil supplied to the equipment is essential for the functioning of the same, it is advisable to use supply pipes, where possible, with an internal diameter of at least 10 mm up to a capacity of 2500 kg and of 12–13 mm for higher capacities. Elbows, connectors and throttled passages must be reduced to an absolute minimum.

The rotating attachments will be delivered with a built-in forward angle of 0°–2° on the truck's carriage; 4° mounting upon request. Indicated capacities, dimensions and performance of the equipment are purely indicative and in the interest of product development CAM S.r.l. reserves the right to make any modifications without prior notice. Stated capacities relate solely to the equipment.

In order to determine the residual capacity of the truck-equipment assembly, it is necessary to calculate the residual



capacity as indicated. It is also necessary to remember that there are different variables such as the type of load concerned, working conditions of the truck, type of tyres, type of upright and relative lifting, all features which may affect the residual working capacities and therefore must be duly considered and evaluated.



1. Carriages

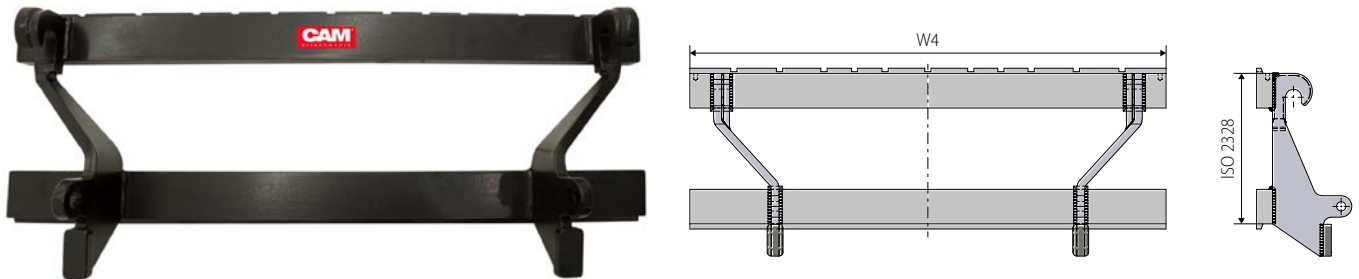
A carriage sits between a Euro and a FEM connection. It allows you to attach all FEM II to attachment. We offer carriages with or without forks.

Chapter overview

1.1	Pallet forks frame for tractors	PFF	10
1.2	Pallet forks frame for telehandlers	PFF	11
1.3	Adaptor frames		12
1.4	Floating forks carriage	FFC	14



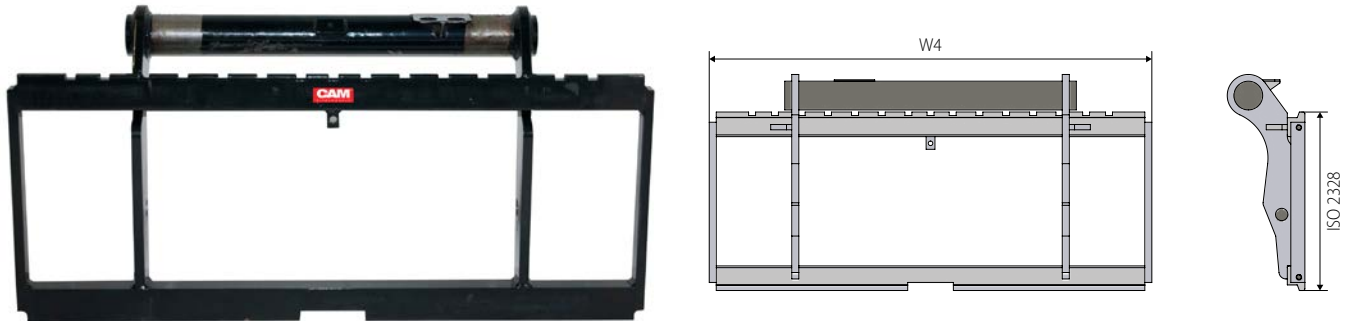
Pallet forks frame for tractors



Technical data

Suitable for	ISO 2328	FEM 2	FEM 2		
	Capacity	1500 kg	2500 kg		
	Width W4	1200 mm	1200 mm	1500 mm	2000 mm
3-Punkt Cat 6		CC26630	CC26632	CC26634	CC26636
ÅLÖ (quicke nr 3)		CC26638	CC26640	CC26642	CC26644
Chilton		CC26744	CC26746	CC26748	CC26750
EURO (quicke nr 8)		CC26646	CA99536	CC26648	CC26650
Faucheux		CC26760	CC26762	CC26764	CC26766
MX Mailleux		CC26752	CC26754	CC26756	CC26758
VILA/VALTRA		CC26652	CC26654	CC26656	CC26658

Pallet forks frame for telehandlers



Technical data

Suitable for	ISO 2328	FEM 2	FEM 2			FEM 3		FEM 4		
	Capacity	1500 kg	2500 kg			5000 kg		8000 kg		
	Width W4	1200 mm	1200 mm	1500 mm	2000 mm	1200 mm	1500 mm	1500 mm	2000 mm	2400 mm
Claas		–	CC26714	CC26716	CC26718	CC26720	CC26722	–	–	–
Dieci		CC26682	CC26684	CC26686	CC26688	CC26690	CC26692	CC26694	CC26696	CC26698
GENIE		CC26700	CC26702	CC26704	CC26706	CC26708	CC26710	–	–	–
JCB Q-fit		CC26560	CC26562	CC26564	CC26566	CC26540	CC26568	CC26570	CC26572	CC26670
Kramer 180-350		CC26712	CC26592	CC26594	CC26596	–	–	–	–	–
Kramer 380-580		–	CC26598	CC26600	CC26602	CC26604	CC26606	–	–	–
MANITOU		CC26544	CC26548	CC26546	CC26550	CC26538	CC26552	CC26554	CC26556	CC26558
MATBRO		CC26662	CC26582	CC26584	CC26586	CC26588	CC26590	CC26664	CC26666	CC26668
MERLO ZM2		CC26660	CC26574	CC26576	CC26578	CC26542	CC26580	–	–	–
MERLO ZM3		–	–	–	–	CC26672	CC26674	CC26676	CC26678	CC26680
Pin & Cone		–	CC26734	CC26736	CC26738	CC26740	CC26742	–	–	–
Schaeffer		–	CC26620	CC26622	CC26624	CC26626	CC26628	–	–	–
Weidemann		CC26608	CC26610	CC26612	CC26614	CC26616	CC26618	–	–	–

Adaptor frames



Adaptor frames for telehandlers and tractors are versatile tools that enable the user to interchange attachments between different types of machinery. With the help of these adaptor frames, it is possible to mount a telehandler attachment on a different telehandler brand, a tractor attachment on a different tractor brand or even use a tractor attachment on a telehandler, and vice versa.

These adaptor frames are designed to provide a secure connection between the attachment and the machinery, ensuring that it is firmly attached. Below, you can find an overview of the adaptor frames you need based on the machine brand on which you want to mount a different attachment.



Tractor VS Tractor

Machine side	Attachment side	Reference
EURO	ALO	CC55754
EURO	MX Mailleux	CC55756
EURO	Faucheux (920mm)	CC55758
ALO	EURO	CC55760
ALO	MX Mailleux	CC55762
ALO	Faucheux (920mm)	CC55764
MX Mailleux	EURO	CC55766
MX Mailleux	ALO	CC55768
MX Mailleux	Faucheux (920mm)	CC55770
Faucheux (920mm)	EURO	CC55772
Faucheux (920mm)	ALO	CC55774
Faucheux (920mm)	MX Mailleux	CC55776



Tractor VS Telehandler

Machine side	Attachment side	Reference
EURO	Manitou	CC55778
EURO	JCB Q-Fit	CC55780
EURO	Merlo ZM2	CC55782



Telehandler VS Telehandler

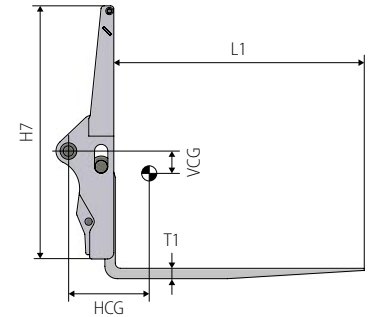
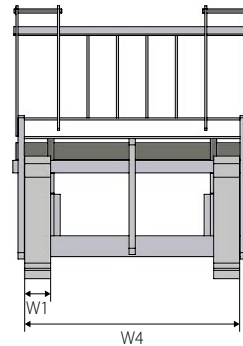
Machine side	Attachment side	Reference
Manitou	JCB Q-Fit	CC55684
Manitou	Merlo ZM2	CC55686
Manitou	Merlo ZM3	CC55688
Manitou	Dieci till 2500Kg	CC55690
Manitou	Dieci 2.800Kg till 4.500Kg	CC55692
Manitou	Kramer 380-580	CC55694
JCB Q-Fit	Manitou	CC55698
JCB Q-Fit	Merlo ZM2	CC55700
JCB Q-Fit	Merlo ZM3	CC55702
JCB Q-Fit	Dieci till 2500Kg	CC55704
JCB Q-Fit	Dieci 2.800Kg till 4.500Kg	CC55706
JCB Q-Fit	Kramer 380-580	CC55708
Merlo ZM2	Manitou	CC55712
Merlo ZM2	JCB Q-Fit	CC55714
Merlo ZM2	Dieci till 2500Kg	CC55716
Merlo ZM2	Dieci 2.800Kg till 4.500Kg	CC55718
Merlo ZM2	Kramer 380-580	CC55720
Merlo ZM3	Manitou	CC55724
Merlo ZM3	JCB Q-Fit	CC55726
Merlo ZM3	Kramer 380-580	CC55728
Dieci till 2500Kg	Manitou	CC55730
Dieci till 2500Kg	JCB Q-Fit	CC55732
Dieci till 2500Kg	Merlo ZM2	CC55734
Dieci till 4500Kg	Manitou	CC55736
Dieci till 4500Kg	JCB Q-Fit	CC55738
Dieci till 4500Kg	Merlo ZM2	CC55740
Dieci till 4500Kg	Kramer 380-580	CC55742
Kramer 380-580	Manitou	CC55744
Kramer 380-580	JCB Q-Fit	CC55746
Kramer 380-580	Merlo ZM2	CC55748
Kramer 380-580	Merlo ZM3	CC55750
Kramer 380-580	Dieci 2.800Kg till 4.500Kg	CC55752



Telehandler VS Tractor

Machine side	Attachment side	Reference
Manitou	EURO	CC55696
JCB Q-Fit	EURO	CC55710
Merlo ZM2	EURO	CC55722

Floating forks carriage

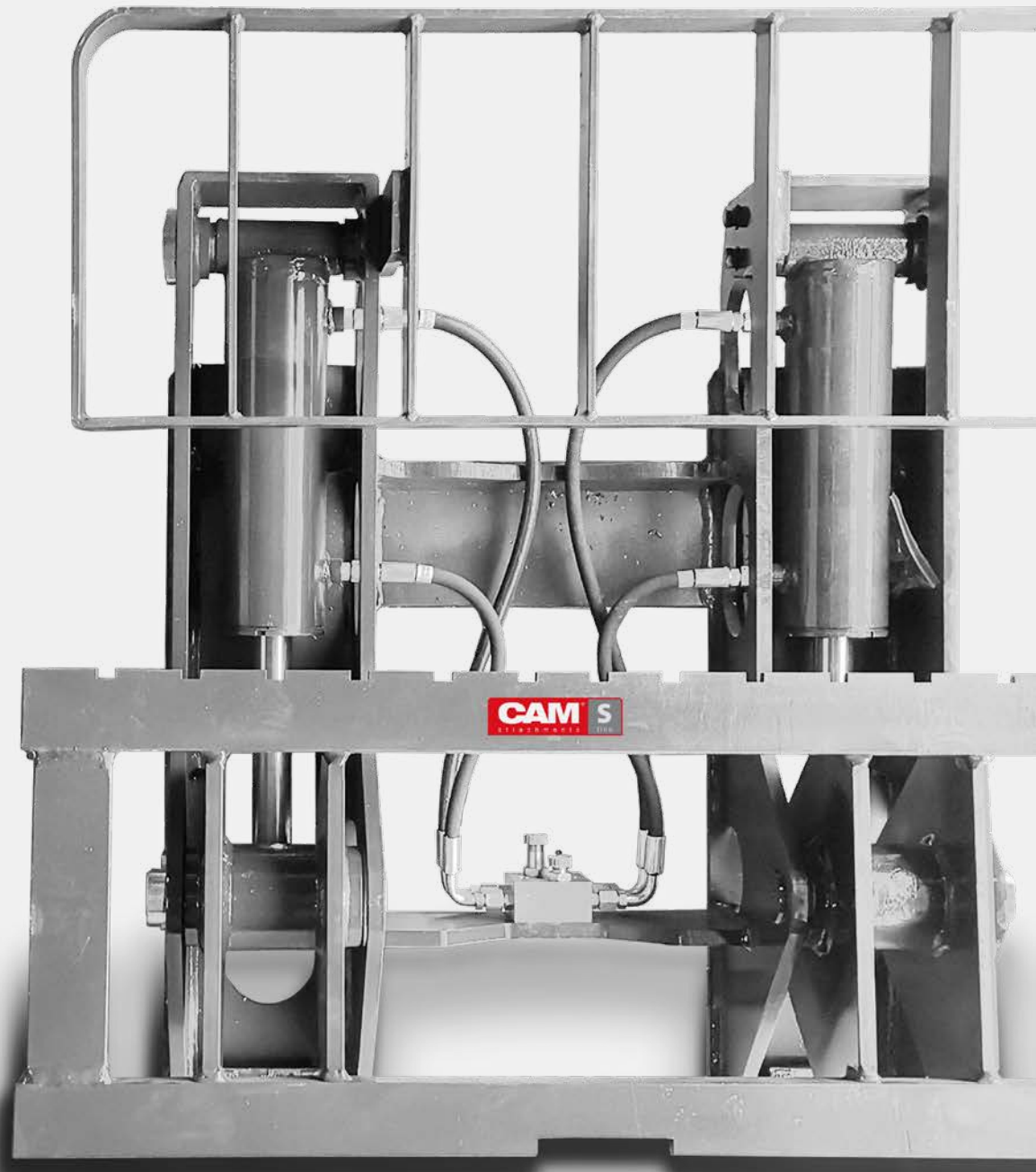


Technical data

Model	Type of mounting bracket	Capacity	W4	H7	Forks L1 x W1 x T1	HCG	VCG	Weight
	kg	kg/mm	mm	mm	mm	mm	mm	kg
Floating forks carriage for telehandlers								
CC25330	JCB Q-fit	4100/500	1140	1210	1200 x 125 x 45	132	252	170
CC25332	Manitou	4100/500	1140	1210	1200 x 125 x 45	65	102	196
CC25336	JLG	4100/500	1140	1210	1200 x 125 x 45	126	131	163
CC25338	Genie	4100/500	1140	1210	1200 x 125 x 45	139	119	147
CC25340	Merlo ZM2	4100/500	1140	1210	1200 x 125 x 45	94	109	136
CC25342	Merlo ZM3	4100/500	1140	1364	1200 x 125 x 45	92	289	152
Floating forks carriage for tractors								
CC25334	Euro hook	4100/500	1140	1210	1200 x 125 x 45	98	132	160

Notes

A series of horizontal dotted lines for writing notes.



2. Hinged carriage

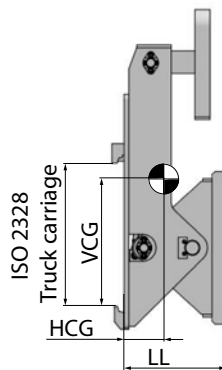
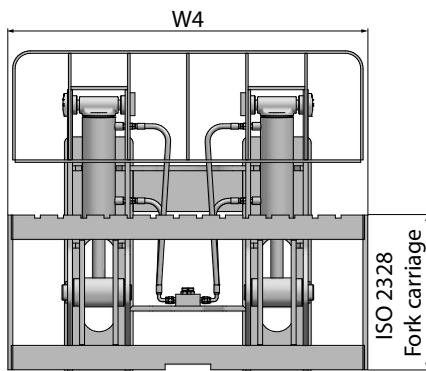
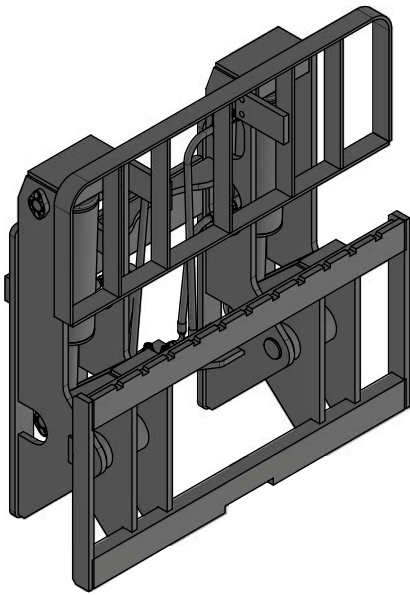
A hinged carriage helps you to tip bulk cargo containers in a safe way. You can fit this attachment with a bucket to shovel all bulk goods such as sand, coal, grain, fertiliser, sods, blocks...

Chapter overview

2.1 Hinged carriage

ZQF 18

Hinged carriage



Hinged fork carriages are widely used in the wood industry, architecture & construction, metal industry and livestock industry.

They are designed primarily for tilting forwards, the hinged forks can also be conveniently used for handling palletised loads.

Characteristics

1. High-strength all-steel structure design, delivering high efficiency under continuous operation.
2. E-slot in the overall framework to improve the stability of the product and extend the lifespan of the product.
3. Extremely durable, thanks to the use of highest quality hydraulic components.
4. Excellent visibility.
5. Rugged yet lightweight construction.
6. Fast arm opening speeds with less energy consumption.
7. High nett capacity.



Technical details

> 2 hydraulic functions

Model	Capacity	W4	Tilt forward A7	Tilt backward A8	LL	HCG	VCG	Weight	ISO 2328 Truck carriage	ISO 2328 Fork carriage	RRP
	kg/mm	mm	°	°	mm	mm	mm	kg			Euro
Standard bushings											
ZQF15-0970A	1500/500	970	45°	25°	341	144	378	276	2	2	2470
ZQF25-1040A	2500/500	1040	45°	25°	341	144	380	288	2	2	2480
ZQF30-1180B	3000/500	1182	45°	25°	341	153	379	318	3	3	2800
ZQF45-1330B	4500/600	1332	45°	25°	350	154	367	419	3	3	3290
ZQF50-1300C	5000/600	1300	45°	25°	445	190	446	654	4	4	4800
ZQF50-1530C	5000/600	1530	45°	25°	445	198	440	680	4	4	5090
ZQF50-1700C	5000/600	1700	45°	25°	445	203	436	695	4	4	5250

Attachment not recommended for clamping between forks

Available on request

> Copper bushings with nipple

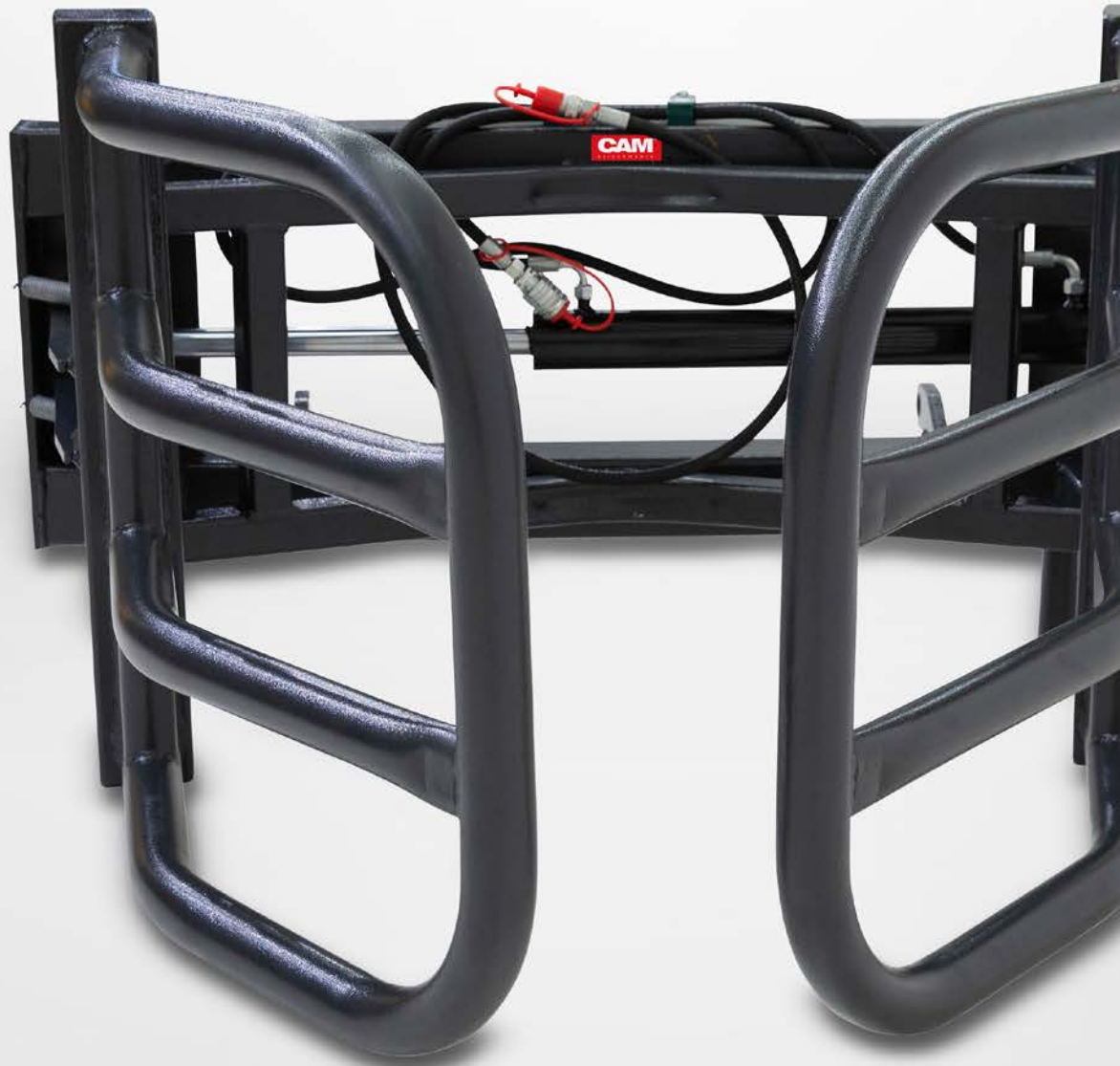
Technical data

hinged carriage

Model	Positioning						Sideshifting						Hydraulic functions
	Operating pressure			Oil flow rate			Operating pressure			Oil flow rate			
	Min	Recommended	Max	Min	Recommended	Max	Min	Recommended	Max	Min	Recommended	Max	
	bar	bar	bar	l/min	l/min	l/min	bar	bar	bar	l/min	l/min	l/min	
ZQF15	35	140	160	19	38	57	-	-	-	-	-	-	1
ZQF25	35	140	160	19	38	57	-	-	-	-	-	-	1
ZQF30	35	140	160	19	38	57	-	-	-	-	-	-	1
ZQF45	35	140	160	19	38	57	-	-	-	-	-	-	1
ZQF50	35	140	160	19	38	57	-	-	-	-	-	-	1

Notes

A series of horizontal dotted lines for writing notes.

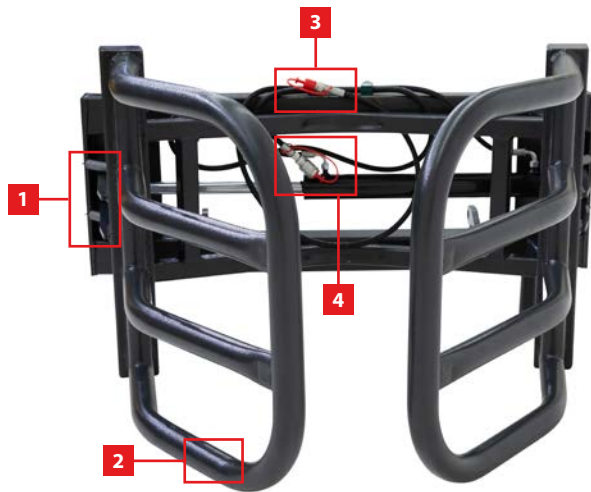


3. Bale grippers

Chapter overview

3.1	Bale gripper – round bales	CH-RO	24
3.2	Bale gripper – square bales	CH-SQ	26

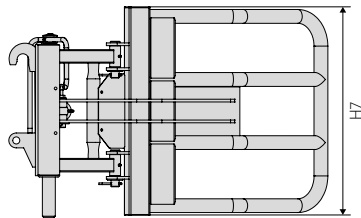
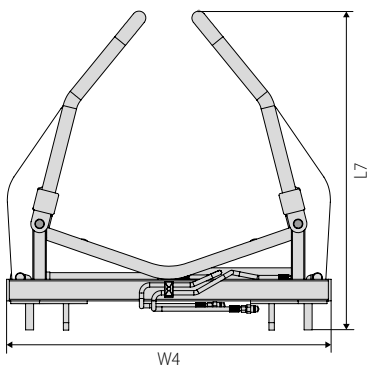
Bale gripper – round bales



With powerful arms and a clamping range of up to 2310 mm, the bale gripper is the perfect tool for handling hay. It has a slim, lightweight design that doesn't obstruct the driver's view. Instead, they experience maximum visibility through and over the frame of the clamp. Made from high-quality materials, this bale gripper is available with different connections for the telehandler and tractors.

Characteristics

1. Frame
2. Arm
3. Hydraulic hoses
4. Actuator





Technical data

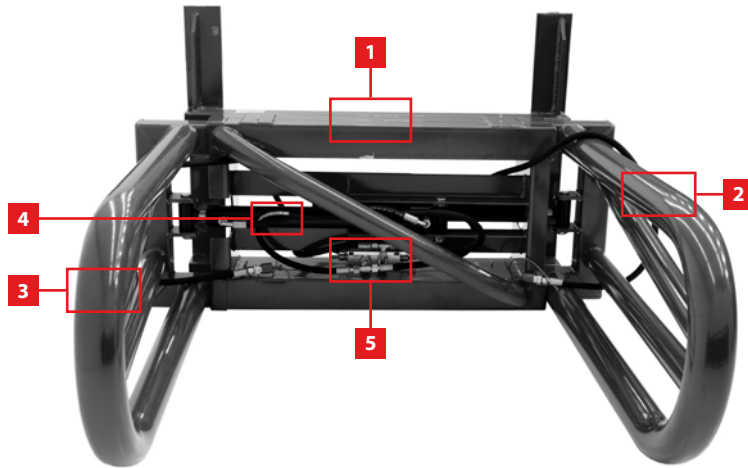
> D6 – Maximum diameter of the bales

Model	Type of mounting bracket	Capacity	W4	H7	D6	L7	Weight*
		kg/mm	mm	mm	mm	mm	kg
Bale gripper for tractor, round bales, range spans up to 1700 mm							
CC35986	Euro	800	1200	770	1700	1180	190
CC35976	ALO	800	1200	770	1700	1180	190
CC36000	MX Mailleux	800	1200	770	1700	1180	190
CC35988	Faucheux	800	1200	770	1700	1180	190
Bale gripper for telehandler, round bales, range spans up to 1700 mm							
CC36004	Weidemann 660 mm	800	1200	770	1700	1180	190
CC36006	Weidemann 845 mm	800	1200	770	1700	1180	190
CC35992	Kramer 380–580	800	1200	770	1700	1180	190
CC35996	Merlo ZM2	800	1200	770	1700	1180	190
CC35998	Merlo ZM3	800	1200	770	1700	1180	190
CC35994	Manitou	800	1200	770	1700	1180	190
CC35990	JCB Q-fit	800	1200	770	1700	1180	190
CC35978	Bobcat	800	1200	770	1700	1180	190
CC35980	Claas Scorpion	800	1200	770	1700	1180	190
CC35982	Dieci (2500 kg)	800	1200	770	1700	1180	190
CC35984	Dieci (2800–4500 kg)	800	1200	770	1700	1180	190
CC36002	New Holland	800	1200	770	1700	1180	190
Bale gripper for tractor, round bales, range spans up to 2100 mm							
CC36048	Euro	800	1366	808	2100	1360	207
CC36038	ALO	800	1366	808	2100	1360	207
CC36062	MX Mailleux	800	1366	808	2100	1360	207
CC36050	Faucheux	800	1366	808	2100	1360	207
Bale gripper for telehandler, round bales, range spans up to 2100 mm							
CC36066	Weidemann 660 mm	800	1366	808	2100	1360	207
CC36068	Weidemann 845 mm	800	1366	808	2100	1360	207
CC36054	Kramer 380–580	800	1366	808	2100	1360	207
CC36058	Merlo ZM2	800	1366	808	2100	1360	207
CC36060	Merlo ZM3	800	1366	808	2100	1360	207
CC36056	Manitou	800	1366	808	2100	1360	207
CC36052	JCB Q-fit	800	1366	808	2100	1360	207
CC36040	Bobcat	800	1366	808	2100	1360	207
CC36042	Claas Scorpion	800	1366	808	2100	1360	207
CC36044	Dieci (2500 kg)	800	1366	808	2100	1360	207
CC36046	Dieci (2800–4500 kg)	800	1366	808	2100	1360	207
CC36064	New Holland	800	1366	808	2100	1360	207

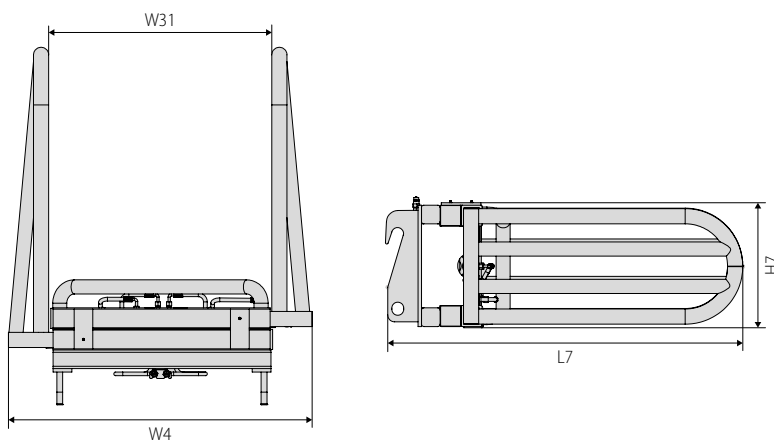
* Estimated depth value, may have a different value depending on the used hitch

** Estimated weight value, may have a different value depending on the used hitch

Bale gripper – square bales

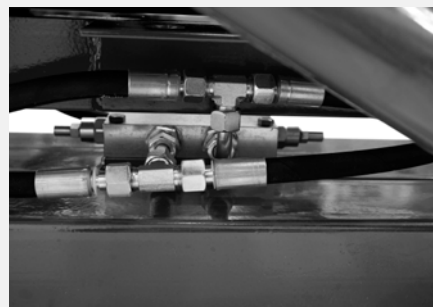
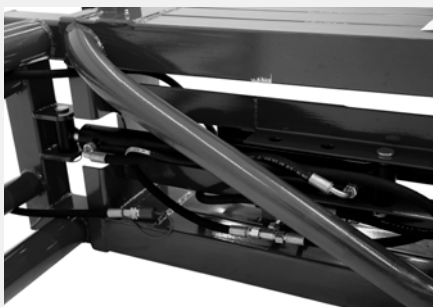


With powerful arms and a clamping range of up to 2310 mm, the bale gripper is the perfect tool for handling hay. It has a slim, lightweight design that doesn't obstruct the driver's view. Instead, they experience maximum visibility through and over the frame of the clamp. Made from high-quality materials, this bale gripper is available with different connections for the telehandler and tractors.



Characteristics

1. Frame
2. Arm
3. Hydraulic hoses
4. Actuator





Technical data

> D6 – Maximum diameter of the bales

Model	Type of mounting bracket	Capacity	W4	W31	H7	L7	Weight*
		kg/mm	mm	mm	mm	mm	kg
Bale gripper for tractor, square bales							
CC36018	Euro	800	1300	2300	540	1510	256
CC36008	ALO	800	1300	2300	540	1510	256
CC36030	MX Mailleux	800	1300	2300	540	1510	256
CC36020	Faucheux	800	1300	2300	540	1510	256
Bale gripper for telehandler, square bales							
CC36034	Weidemann 660 mm	800	1300	2300	540	1510	256
CC36036	Weidemann 845 mm	800	1300	2300	540	1510	256
CC36022	Kramer 380-580	800	1300	2300	540	1510	256
CC36026	Merlo ZM2	800	1300	2300	540	1510	256
CC36028	Merlo ZM3	800	1300	2300	540	1510	256
CC36024	Manitou	800	1300	2300	540	1510	256
CC35974	JCB Q-fit	800	1300	2300	540	1510	256
CC36010	Bobcat	800	1300	2300	540	1510	256
CC36012	Claas Scorpion	800	1300	2300	540	1510	256
CC36014	Dieci (2500 kg)	800	1300	2300	540	1510	256
CC36016	Dieci (2800–4500 kg)	800	1300	2300	540	1510	256
CC36032	New Holland	800	1300	2300	540	1510	256

* Estimated depth value, may have a different value depending on the used hitch

** Estimated weight value, may have a different value depending on the used hitch



4. Manure forks

Transport bulky manure piles and hay bales more efficiently thanks to this attachment.

Chapter overview

4.1	Manure fork for tractors	MF	30
4.2	Manure fork for telehandlers	MF	32



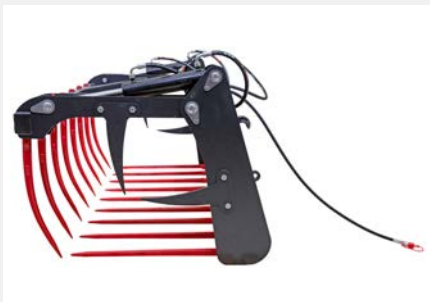
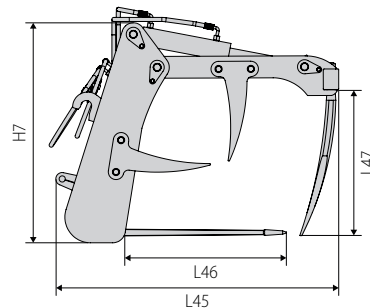
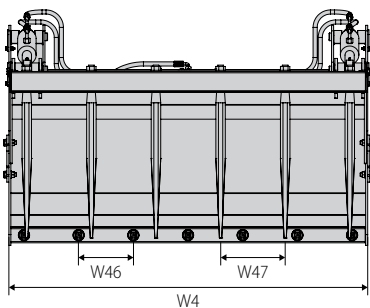
Manure fork for tractors



Ready to optimise farming operations? Regularly handling hay bales or manure asks for proper equipment. No worries: this manure fork allows the operator to work quickly, accurately and efficiently. It's a piece of equipment that meets the requirements of even the most demanding farmer. A must-have in every farming operation. This grab bucket smoothly connects to ALO tractors, saving the operator precious installation time.

Characteristics

1. Sturdy forks
2. Increased efficiency
3. Easy installation





Technical data

Model	Type of mounting bracket	W4	H7	L45*	Total number of tines	Number of bottom tines	Number of top tines	L46	L47	W46	W47	Volume	Weight**
		mm	mm	mm				mm	mm	mm	mm	m ³	kg
CC36072	Euro	1400	900	1100	13	7	6	810	680	213	252	0,75	221
CC36070	ALO	1400	900	1100	13	7	6	810	680	213	252	0,75	221
CC36076	MX Mailleux	1400	900	1100	13	7	6	810	680	213	252	0,75	221
CC36074	Faucheux	1400	900	1100	13	7	6	810	680	213	252	0,75	221
CC36080	Euro	1600	900	1100	15	8	7	810	680	211	243	0,9	235
CC36078	ALO	1600	900	1100	15	8	7	810	680	211	243	0,9	235
CC36084	MX Mailleux	1600	900	1100	15	8	7	810	680	211	243	0,9	235
CC36082	Faucheux	1600	900	1100	15	8	7	810	680	211	243	0,9	235
CC36088	Euro	1800	900	1100	17	9	8	810	680	210	237	1	275
CC36086	ALO	1800	900	1100	17	9	8	810	680	210	237	1	275
CC36092	MX Mailleux	1800	900	1100	17	9	8	810	680	210	237	1	275
CC36090	Faucheux	1800	900	1100	17	9	8	810	680	210	237	1	275
CC36096	Euro	2000	900	1100	17	9	8	810	680	235	268	1,1	297
CC36094	ALO	2000	900	1100	17	9	8	810	680	235	268	1,1	297
CC36100	MX Mailleux	2000	900	1100	17	9	8	810	680	235	268	1,1	297
CC36098	Faucheux	2000	900	1100	17	9	8	810	680	235	268	1,1	297

* Estimated depth value, may have a different value depending on the used hitch

** Estimated weight value, may have a different value depending on the used hitch

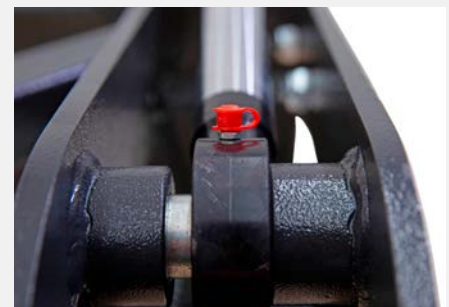
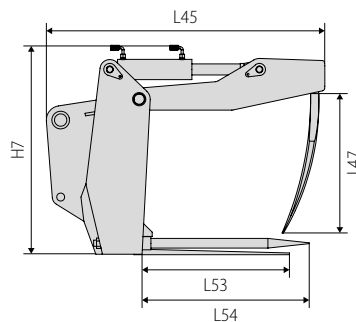
Manure fork for telehandlers



Ready to optimise farming operations? Regularly handling hay bales or manure asks for proper equipment. No worries: this manure fork allows the operator to work quickly, accurately and efficiently. It's a piece of equipment that meets the requirements of even the most demanding farmer. A must-have in every farming operation. This grab bucket smoothly connects to ALO tractors, saving the operator precious installation time.

Characteristics

1. Sturdy forks
2. Increased efficiency
3. Easy installation





Technical data

Model	Type of mounting bracket	W4	H7	L45*	Total number of tines	L53	L54	L47	Volume	Weight**
		mm	mm	mm		mm	mm	mm		
CC36122	Weidemann 660 mm	2000	950	1265	20	810	980	800	1,23	527
CC36124	Weidemann 845 mm	2000	950	1265	20	810	980	800	1,23	527
CC36112	Kramer 380–580	2000	950	1265	20	810	980	800	1,23	527
CC36116	Merlo ZM2	2000	950	1265	20	810	980	800	1,23	527
CC36118	Merlo ZM3	2000	950	1265	20	810	980	800	1,23	527
CC36114	Manitou	2000	950	1265	20	810	980	800	1,23	527
CC36110	JCB Q-fit	2000	950	1265	20	810	980	800	1,23	527
CC36102	Bobcat	2000	950	1265	20	810	980	800	1,23	527
CC36104	Claas Scorpion	2000	950	1265	20	810	980	800	1,23	527
CC36106	Dieci (2500 kg)	2000	950	1265	20	810	980	800	1,23	527
CC36108	Dieci (2800–4500 kg)	2000	950	1265	20	810	980	800	1,23	527
CC36120	New Holland	2000	950	1265	20	810	980	800	1,23	527
CC36146	Weidemann 660 mm	2200	950	1265	22	810	980	800	1,35	580
CC36148	Weidemann 845 mm	2200	950	1265	22	810	980	800	1,35	580
CC36136	Kramer 380–580	2200	950	1265	22	810	980	800	1,35	580
CC36140	Merlo ZM2	2200	950	1265	22	810	980	800	1,35	580
CC36142	Merlo ZM3	2200	950	1265	22	810	980	800	1,35	580
CC36138	Manitou	2200	950	1265	22	810	980	800	1,35	580
CC36134	JCB Q-fit	2200	950	1265	22	810	980	800	1,35	580
CC36126	Bobcat	2200	950	1265	22	810	980	800	1,35	580
CC36128	Claas Scorpion	2200	950	1265	22	810	980	800	1,35	580
CC36130	Dieci (2500 kg)	2200	950	1265	22	810	980	800	1,35	580
CC36132	Dieci (2800–4500 kg)	2200	950	1265	22	810	980	800	1,35	580
CC36144	New Holland	2200	950	1265	22	810	980	800	1,35	580

* Estimated depth value, may have a different value depending on the used hitch

** Estimated weight value, may have a different value depending on the used hitch



5. Grab buckets

The most efficient attachment for handling materials like silage, minerals, earth, sand, shrubs, woodchips, rubbish, straw, manure, and much more.

Chapter overview

5.1	Grab bucket for tractor	GBU	36
5.2	Grab bucket for telehandler	GBU	38



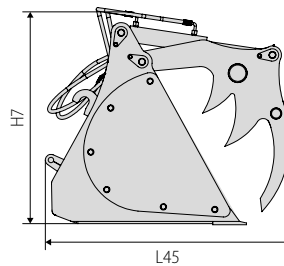
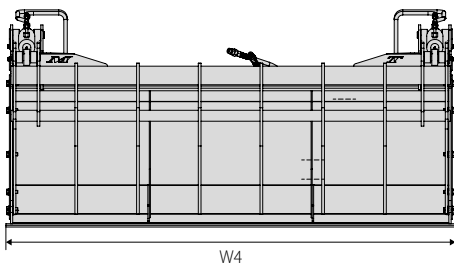
Grab bucket for tractor



This grab bucket is compatible with almost every telehandler and tractor. It's designed to enable maximum visibility, so the driver maintains a clear view of the surroundings and the load they're working with. Today, the bucket range is still growing. We can supply an extended range of different capacities and types of connections, such as Genie, JCB, JLG, Manitou and Merlo. This grab bucket smoothly connects to a Kramer 380–580 machine, saving the operator precious installation time.

Characteristics

1. Reinforced steel blade increases wear resistance
2. High quality of the welding process increases
3. Conical shape for easy filling and complete emptying of the bucket
4. Curved reinforcement profiles make the bucket much stronger
5. Wear strips along the bottom of the bucket to protect the underside of the attachment





Technical data

- > Material of the tines: steel
- > L47 – Length of top tines
- > W47 – Spacing between top tines

Model	Type of mounting bracket	W4	W47	H7	L45*	Number of top tines	L47	Volume	Weight**
		mm	mm	mm	mm		mm	m ³	kg
CC36244	Euro	1400	221	949	1061	7	680	0,75	299
CC36242	ALO	1400	221	949	1061	7	680	0,75	299
CC36248	MX Mailleux	1400	221	949	1061	7	680	0,75	299
CC36246	Faucheux	1400	221	949	1061	7	680	0,75	299
CC36252	Euro	1600	205	949	1061	8	680	0,9	319
CC36250	ALO	1600	205	949	1061	8	680	0,9	319
CC36256	MX Mailleux	1600	205	949	1061	8	680	0,9	319
CC36254	Faucheux	1600	205	949	1061	8	680	0,9	319
CC36260	Euro	1800	203	949	1061	9	680	1	203
CC36258	ALO	1800	203	949	1061	9	680	1	203
CC36264	MX Mailleux	1800	203	949	1061	9	680	1	203
CC36262	Faucheux	1800	203	949	1061	9	680	1	203
CC36268	Euro	2000	228	949	1061	9	680	1,1	228
CC36266	ALO	2000	228	949	1061	9	680	1,1	228
CC36272	MX Mailleux	2000	228	949	1061	9	680	1,1	228
CC36270	Faucheux	2000	228	949	1061	9	680	1,1	228

* Estimated depth value, may have a different value depending on the used hitch

** Estimated weight value, may have a different value depending on the used hitch

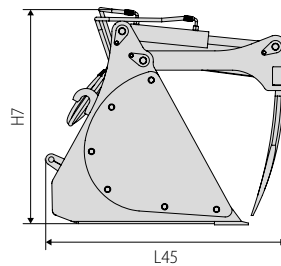
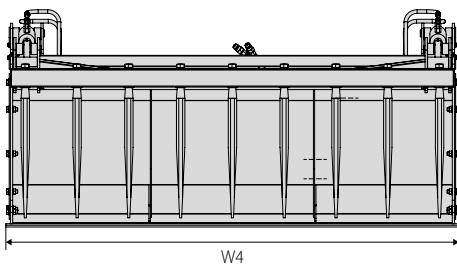
Grab bucket for telehandler



This grab bucket is compatible with almost every telehandler and tractor. It's designed to enable maximum visibility, so the driver maintains a clear view of the surroundings and the load they're working with. Today, the bucket range is still growing. We can supply an extended range of different capacities and types of connections, such as Genie, JCB, JLG, Manitou and Merlo. This grab bucket smoothly connects to a Kramer 380–580 machine, saving the operator precious installation time.

Characteristics

1. Reinforced steel blade increases wear resistance
2. High quality of the welding process increases
3. Conical shape for easy filling and complete emptying of the bucket
4. Curved reinforcement profiles make the bucket much stronger
5. Wear strips along the bottom of the bucket to protect the underside of the attachment





Technical data

Model	Type of mounting bracket	W4	H7	L45*	Number of top tines	Volume	Weight**
		mm	mm	mm		m ³	kg
CC36170	Weidemann 660 mm	1800	940	1100	4	1	357
CC36172	Weidemann 845 mm	1800	940	1100	4	1	357
CC36160	Kramer 380–580	1800	940	1100	4	1	357
CC36164	Merlo ZM2	1800	940	1100	4	1	357
CC36166	Merlo ZM3	1800	940	1100	4	1	357
CC36162	Manitou	1800	940	1100	4	1	357
CC36158	JCB Q-fit	1800	940	1100	4	1	357
CC36150	Bobcat	1800	940	1100	4	1	357
CC36152	Claas Scorpion	1800	940	1100	4	1	357
CC36154	Dieci (2500 kg)	1800	940	1100	4	1	357
CC36156	Dieci (2800–4500 kg)	1800	940	1100	4	1	357
CC36168	New Holland	1800	940	1100	4	1	357
CC36192	Weidemann 660 mm	2000	940	1100	5	1,1	386
CC36194	Weidemann 845 mm	2000	940	1100	5	1,1	386
CC36184	Kramer 380–580	2000	940	1100	5	1,1	386
CC36186	Merlo ZM2	2000	940	1100	5	1,1	386
CC36188	Merlo ZM3	2000	940	1100	5	1,1	386
CC35972	Manitou	2000	940	1100	5	1,1	386
CC36182	JCB Q-fit	2000	940	1100	5	1,1	386
CC36174	Bobcat	2000	940	1100	5	1,1	386
CC36176	Claas Scorpion	2000	940	1100	5	1,1	386
CC36178	Dieci (2500 kg)	2000	940	1100	5	1,1	386
CC36180	Dieci (2800–4500 kg)	2000	940	1100	5	1,1	386
CC36190	New Holland	2000	940	1100	5	1,1	386
CC36216	Weidemann 660 mm	2300	940	1100	6	1,25	442
CC36218	Weidemann 845 mm	2300	940	1100	6	1,25	442
CC36206	Kramer 380–580	2300	940	1100	6	1,25	442
CC36210	Merlo ZM2	2300	940	1100	6	1,25	442
CC36212	Merlo ZM3	2300	940	1100	6	1,25	442
CC36208	Manitou	2300	940	1100	6	1,25	442
CC36204	JCB Q-fit	2300	940	1100	6	1,25	442
CC36196	Bobcat	2300	940	1100	6	1,25	442
CC36198	Claas Scorpion	2300	940	1100	6	1,25	442
CC36200	Dieci (2500 kg)	2300	940	1100	6	1,25	442
CC36202	Dieci (2800–4500 kg)	2300	940	1100	6	1,25	442
CC36214	New Holland	2300	940	1100	6	1,25	442
CC36240	Weidemann 660 mm	2500	940	1100	6	1,35	483
CC37524	Weidemann 845 mm	2500	940	1100	6	1,35	483
CC36230	Kramer 380–580	2500	940	1100	6	1,35	483
CC36234	Merlo ZM2	2500	940	1100	6	1,35	483
CC36236	Merlo ZM3	2500	940	1100	6	1,35	483
CC36232	Manitou	2500	940	1100	6	1,35	483
CC36228	JCB Q-fit	2500	940	1100	6	1,35	483
CC36220	Bobcat	2500	940	1100	6	1,35	483
CC36222	Claas Scorpion	2500	940	1100	6	1,35	483
CC36224	Dieci (2500 kg)	2500	940	1100	6	1,35	483
CC36226	Dieci (2800 4500 kg)	2500	940	1100	6	1,35	483
CC36238	New Holland	2500	940	1100	6	1,35	483

* Estimated depth value, may have a different value depending on the used hitch

** Estimated weight value, may have a different value depending on the used hitch



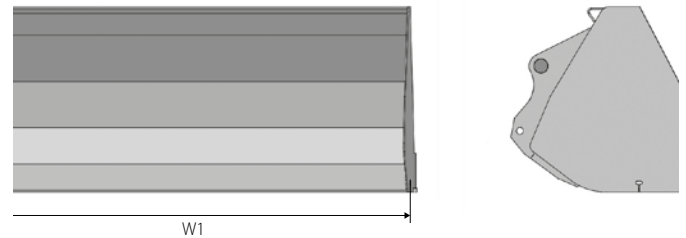
6. Loading buckets

Loading buckets have proven to be essential in a variety of sectors. They are developed with care and professionalism to ensure a long lifespan and to meet the high quality standards of the market and our customers.

Chapter overview

6.1	Loading buckets for tractors	BU-Agri	42
6.2	Loading buckets for telehandlers	BU	43

Loading buckets for tractors

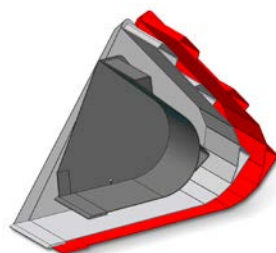


Technical data

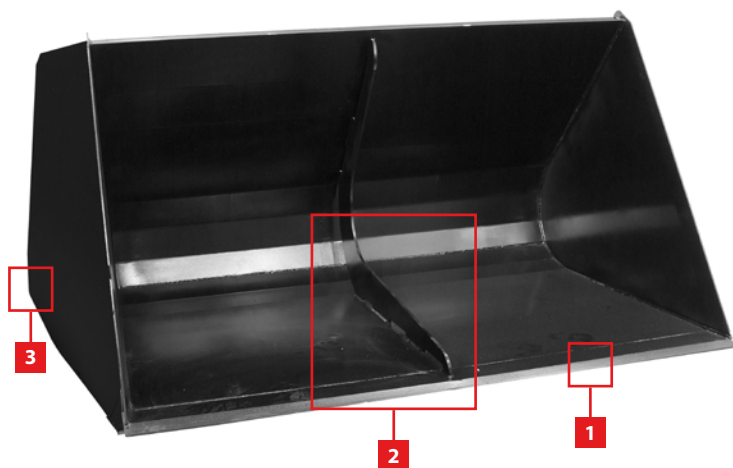
	Suitable for Euro	Bucket width W1	Volume	Capacity	Load capacity
		mm	l	m ³	kg/m ³
Medium load capacity buckets – recommended for machines with engine from 50–100 hp					
	CC31040	1850	500	0,64	1600
	CC31042	1900	900	1,08	1600
	CC31044	2100	990	1,2	1600
	CC31046	2300	1090	1,33	1600
	CC31048	2450	1160	1,42	1600
	CC31050	1900	1930	2,33	950
	CC31052	2100	2140	2,6	950
	CC31054	2300	2350	2,88	950
	CC31056	2300	2580	3,14	900
	CC31058	2450	2750	3,36	900
Heavy load capacity buckets – recommended for machines with engine from 100–200 hp					
	CC31060	1900	900	1,08	2150
	CC31062	2100	990	1,2	2150
	CC31064	2300	1090	1,33	2150
	CC31066	2450	1160	1,42	2150
	CC31068	1900	1930	2,33	1150
	CC31070	2100	2140	2,6	1150
	CC31072	2300	2350	2,88	1150
	CC31074	2300	2580	3,14	1000
	CC31076	2450	2750	3,36	1000

Different models available

- Bucket 2500 l volume
General bucket
- Bucket 2000 l volume
General bucket
- Bucket 900 l volume
Digging bucket

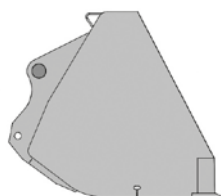
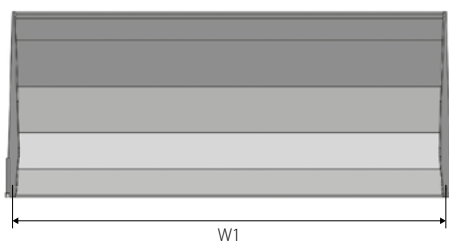


Loading buckets for telehandlers



The carefully thought-out design of our buckets resulted in a conical shape. This saves you space when you transport your attachments. The quality welding ensures your bucket will be durable for many years to come.

Today, the bucket range at CAM attachments is still growing. With an extensive range of different capacities and connections for Genie, JCB, JLG, Manitou and Merlo, you're sure to find the bucket you need.



Characteristics

1. Reinforced steel blade to increase resistance to wear.
2. Reinforcement rib inside the bucket to prevent warping.*
3. High-quality welding for optimal durability.
4. The conical shape makes it easy to fill and completely empty the bucket.
5. Wear strips along the bottom of the bucket protect the underside of the attachment.
6. Curved reinforcement profiles give the bucket extra strength and resilience.
7. Profiled side plates for greater strength.
8. Extremely durable cutting edge: 500HB hardness.

* Valid only for the buckets starting from 2000 l volume

Suitable for Manitou



Suitable for JCB



Suitable for JLG



Suitable for Merlo





Technical data

Suitable for Genie	Suitable for JCB Q-fit	Suitable for JLG*	Suitable for Manitou	Suitable for Merlo ZM2	Suitable for Merlo ZM3	Suitable for Dieci	Bucket width W1	Volume	Capacity	Load capacity
							mm	l	m ³	kg/m ³
Medium load capacity buckets – recommended for machines with engine from 50–100 hp										
CC16504	CC16502	CC16506	CC16498	CC16500	–	CC28094	1850	500	0,64	1600
CC16462	CC16444	CC16470	CC16390	CC16398	CC16406	CC28096	1900	900	1,08	1600
CC16464	CC16446	CC16472	CC16392	CC16400	CC16408	CC28098	2100	990	1,2	1600
CC16466	CC16448	CC16474	CC16394	CC16402	CC16410	–	2300	1090	1,33	1600
CC16468	CC16450	CC16476	CC16396	CC16404	CC16412	CC28100	2450	1160	1,42	1600
CC16478	CC16452	CC16484	CC16420	CC16414	CC16426	CC28102	1900	1930	2,33	950
CC16480	CC16454	CC16486	CC16422	CC16416	CC16428	CC28104	2100	2140	2,6	950
CC16482	CC16456	CC16488	CC16424	CC16418	CC16430	CC28106	2300	2350	2,88	950
CC16490	CC16458	CC16494	CC16436	CC16432	CC16440	CC28108	2300	2580	3,14	900
CC16492	CC16460	CC16496	CC16438	CC16434	CC16442	CC28110	2450	2750	3,36	900
Heavy load capacity buckets – recommended for machines with engine from 100–200 hp										
CC02710	CC02728	CC02746	CC02764	CC02782	CC16564	CC28112	1900	900	1,08	2150
CC02712	CC02730	CC02748	CC02766	CC02784	CC16566	CC28114	2100	990	1,2	2150
CC02714	CC02732	CC02750	CC02768	CC02786	CC02796	CC28116	2300	1090	1,33	2150
CC02716	CC02734	CC02752	CC02770	CC02788	CC02798	CC28118	2450	1160	1,42	2150
CC02718	CC02736	CC02754	CC02772	CC02790	CC16568	CC28120	1900	1930	2,33	1150
CC02720	CC02738	CC02756	CC02774	CC02792	CC16570	CC28122	2100	2140	2,6	1150
CC02722	CC02740	CC02758	CC02776	CC02794	CC02800	CC28124	2300	2350	2,88	1150
CC02724	CC02742	CC02760	CC02806	CC02778	CC02802	CC28126	2300	2580	3,14	1000
CC02726	CC02744	CC02762	CC02808	CC02780	CC02804	CC28128	2450	2750	3,36	1000

* These buckets also fit on CAT and Deutz machines

Options

- > Double blades with hardness 500HB:
 - > L: 2450 mm – 8 holes: CC04744
 - > L: 2300 mm – 8 holes: CC04746
 - > L: 2100 mm – 7 holes: CC04748
 - > L: 1900 mm – 6 holes: CC04750
 - > L: 1850 mm – 7 holes: CC19486
- > Teeth for buckets with 500 and 900 l volumes:
 - > Single pieces: CC19478
 - > Kit 7 pieces* for 500 l buckets with width 1850 mm or 900 l buckets with width 1900 mm: CC19480
 - > Kit 8 pieces* for 900 l buckets with width 2100 mm: CC19482
 - > Kit 9 pieces* for 900 l buckets with width 2300 mm or 2450 mm: CC19484

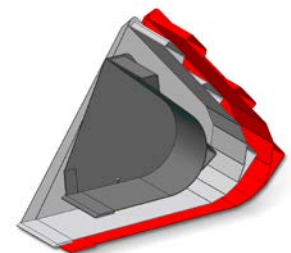
* Bolts and nuts included

Available on request

- > Adapter for boom and video camera
- > Blades
- > Teeth for buckets with 500 and 900 l volumes
- > Blade protection
- > Camera to mount on bucket (REF 151TA2974)

Different models available

- Bucket 2500 l volume
General bucket
- Bucket 2000 l volume
General bucket
- Bucket 900 l volume
Digging bucket



Notes

A series of horizontal dotted lines for writing notes.



7. Yard scrapers

Yard scrapers make it easy to push bulk materials (such as sand, snow, coal, etc.) to a point where it can be picked up. This is an ideal attachment for clearing yards or floors.

Chapter overview

7.1 Yard scraper – Agri

YSCA 48



Yard scraper – Agri



Technical data

Model	Blade width	Blade height	Rubber thickness	Max fork section	Min distance between forks	Weight
	mm	mm	mm	mm	mm	kg
CA99550	2000	400	35	150 x 50	605	202
CA99552	2650	400	35	150 x 50	605	120

Notes

A series of horizontal dotted lines for writing notes.



8. Snow ploughs

A snow plough is the ideal attachment for clearing snow and keeping your operations running over the winter months. The concave design prevents snow from building up and damaging or immobilising your lift truck. We find this attachment invaluable for yard clean-up in the summer months too.

Chapter overview

8.1 Snow plough – Agri

SNOA 52



Snow plough – Agri



Technical data

Model	Blade width	Blade height	Rubber thickness	Max fork section	Min distance between forks	Positions	Weight
	mm	mm	mm	mm	mm		
Adjustable snow plough with rubber strip							
CA99546	1800	500	30	180 x 60	420	Left, right, centre	215
Adjustable snow plough with spring-loaded blade							
CA99548	2600	730		190 x 70	415	Left, right, centre	308

> See this attachment in action



Notes

A series of horizontal dotted lines for writing notes.



9. Rotators

A forklift rotator attachment enables the user to rotate the forks on the forklift easily. This provides greater versatility for moving and stacking and lets the driver dump loads safely and efficiently.

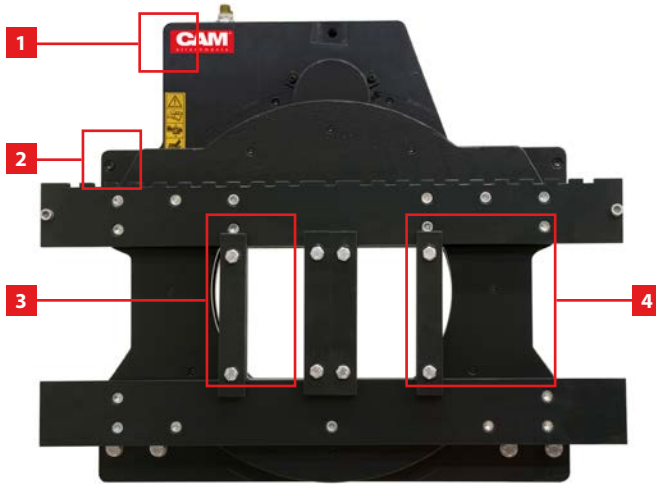
There are several types of rotators available that cater for different professional requirements.

These attachments have a FEM-connection. In case your machine doesn't have a FEM-connection, you can find in chapter 13 our pallet forks frame for tractors and telehandlers on which the rotators can be mounted.

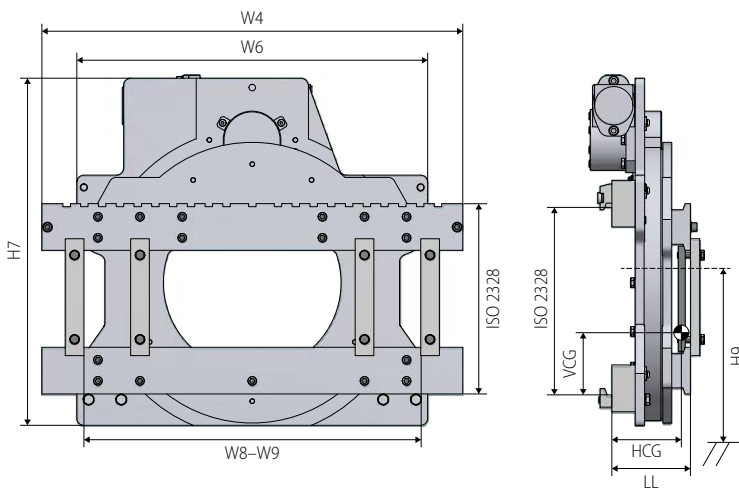
Chapter overview

9.1	Rotator without sideshifter 360°	PRC	56
9.2	Rotator with sideshifter 360°	PRC-T	58

Rotator without sideshifter 360°

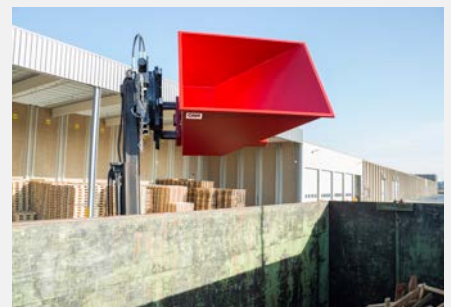


A PRC rotator is a versatile forklift attachment that's used in a broad range of sectors: from agriculture and construction to food and beverages. The PRC rotator is a standard model that offers complete 360° rotation. Fork locking bars make it easy to attach to standard forklift forks and it has bolted bars that can easily be swapped for longer or shorter bars, depending on the user's needs. It's also designed to last, with a well-protected motor and a strong, durable frame. This model comes without a sideshifter. The FEM 2 mounting class is easily recognisable by the 20° chamfer of the fork hooks. It indicates the height of the carriage, so the operator can choose the corresponding forks or attachment.



Characteristics

- 1. Motor well protected by frame
- 2. Castellated top carriage rail
- 3. High internal visibility
- 4. Bolted bars for easy change of width
- 5. Highly reliable components
- 6. High internal visibility
- 7. Good rotation speed and torque
- 8. Castellated top carriage rail





Technical details

- > W6 – Minimal width lift truck carriage
 - > Fork bar assembly and locking fork pads included
- > Without sideshifter

Model	Capacity	W8–W9	W4	W6	H9	H7	Rotating torque	RS	LL	HCG	VCG	Weight	ISO 2328
	kg/mm	mm	mm	mm	mm	mm	kN.m/ 140 bar	rpm	mm	mm	mm	kg	
PRC8D	1000/500	210–820	900	750	314	742	4	5,5	165	85	279	240	2
PRC18D	1800/500	210–820	900	750	314	742	4	5,5	170	85	278	241	2
PRC22D	2200/500	210–960	1040	750	314	742	4	5,5	170	87	276	247	2
PRC28D	2800/500	310–1070	1150	900	415	775	6,8	3,4	171	93	324	327	3
PRC32D	3200/500	310–1070	1150	940	415	775	8,5	2,8	171	93	324	327	3
PRC40D	4000/500	330–1220	1300	1050	420	840	9,8	2,4	185	101	331	431	3
PRC45D	4500/500	330–1220	1300	1050	420	840	9,8	2,4	185	100	331	440	3
PRC55D	5500/600	380–1195	1300	1250	572	960	16	1,5	210	110	362	613	4
PRC70D	7000/600	615–1615	1750	1200	590	1060	16	1,5	284	155	435	1135	4
PRC80D	8000/600	615–1715	1850	1200	590	1060	16	1,5	284	154	439	1135	4

Advantages

- > Improves productivity
- > 360° rotation
- > Bolted bars to adjust the length
- > Well-protected motor

Available on request

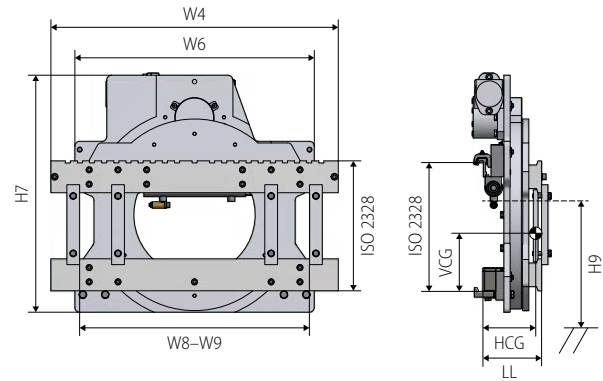
- > Different length of fork bars
- > Pin-type fork models
- > 180° rotation kit
- > Third fork hook to weld on the fork for more stability

> See this attachment in action



These attachments have FEM-hooks for mounting. In case your machine doesn't have a FEM-carriage, the attachments can be mounted on your machine with one of our pallet forks frames, which can be found in chapter "pallet forks frame for telehandlers" and "pallet forks frame for tractors". Please don't hesitate to contact our CAM contact person for further info.

Rotator with sideshifter 360°



Technical details

- > W6 – Minimal width lift truck carriage
- > Fork bar assembly and locking fork pads included
- > Prices exclude forks
- > With separate sideshifter
- > Total sideshifter stroke: 100 + 100 mm (FEM 2 – FEM 3)
- > Total sideshifter stroke: 150 + 150 mm (FEM 4)

Model	Capacity	W8–W9	W4	W6	H9	H7	Rotating torque	RS	LL	HCG	VCG	Weight	ISO 2328
	kg/mm												
PRC8DT	1000/500	210–820	900	980	314	742	4	5,5	170	90	292	247	2
PRC18DT	1800/500	210–820	900	980	314	742	4	5,5	183	97	275	253	2
PRC22DT	2200/500	210–960	1040	980	314	775	4	5,5	183	97	275	264	2
PRC28DT	2800/500	310–1070	1150	1140	415	775	6,8	3,4	200	113	345	358	3
PRC32DT	3200/500	310–1070	1150	1140	415	775	8,5	2,8	200	114	345	358	3
PRC40DT	4000/500	330–1220	1300	1180	420	840	9,8	2,4	217	122	328	475	3
PRC45DT	4500/500	330–1220	1300	1180	420	840	9,8	2,4	217	122	327	475	3
PRC55DT	5500/600	380–1195	1300	1380	572	960	16	1,5	245	130	413	710	4
PRC70DT	7000/600	615–1615	1750	1350	590	1060	16	1,5	319	160	437	1195	4
PRC80DT	8000/600	615–1715	1850	1350	590	1060	16	1,5	320	154	432	1215	4

The PRC-Z rotator is specially designed for the fishing industry. An extra, galvanised layer protects the interior parts from salt water. It offers complete 360° rotation and comes without a sideshifter. The FEM 2 mounting class is easily recognisable by the 20° chamfer of the fork hooks. It indicates the height of the carriage, so the operator can choose the corresponding forks or attachment.

Advantages

- > Improves productivity
- > 360° rotation
- > Bolted bars to adjust the length
- > Well-protected motor

Options

- > Foundry kit (front and back cover)

Available on request

- > Different length of fork bars
- > Pin-type fork models
- > 180° rotation kit
- > Third fork hook to weld on the fork for more stability

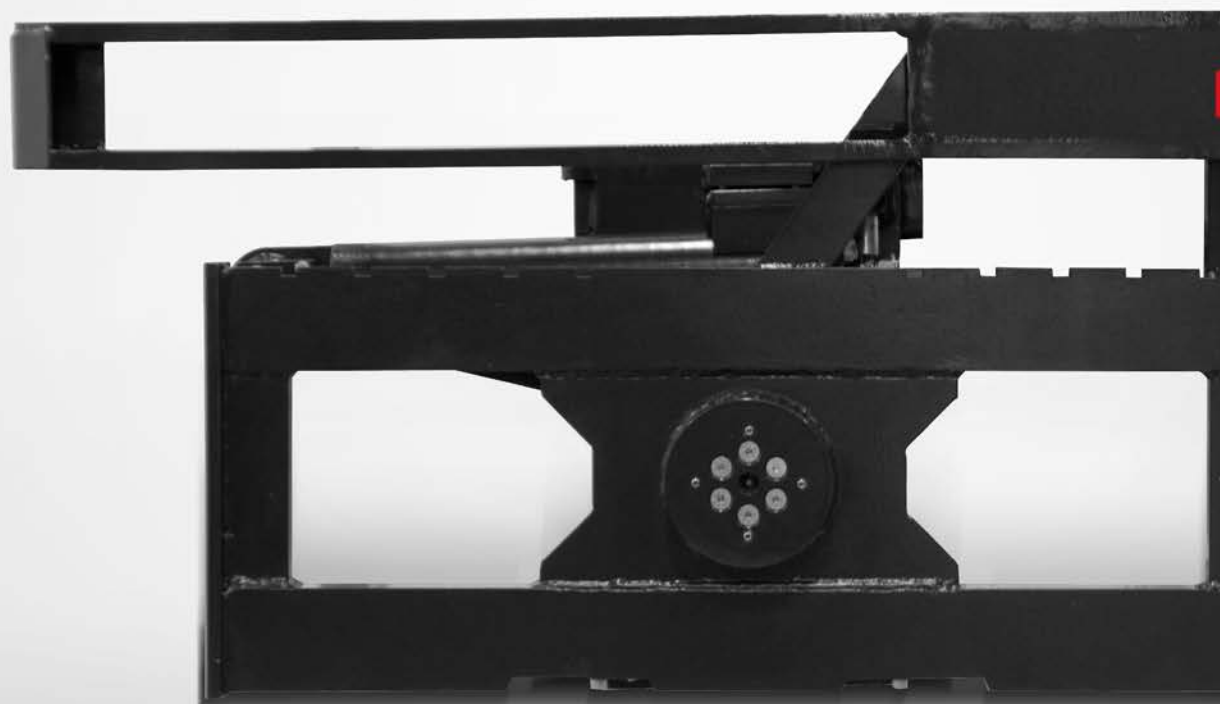
- > See this attachment in action



These attachments have FEM-hooks for mounting. In case your machine doesn't have a FEM-carriage, the attachments can be mounted on your machine with one of our pallet forks frames, which can be found in chapter "pallet forks frame for telehandlers" and "pallet forks frame for tractors". Please don't hesitate to contact our CAM contact person for further info.

Notes

A series of horizontal dotted lines for writing notes.



10. Box rotators

A box rotator helps the driver improve productivity and greatly reduces idling time when dumping loads. Our extensive range contains standard and more specific models, such as rotators with hydraulic bin retainers and plastic container rotators.

These attachments have a FEM-connection. In case your machine doesn't have a FEM-connection, you can find in chapter X our pallet forks frame for tractors and telehandlers on which the rotators can be mounted.

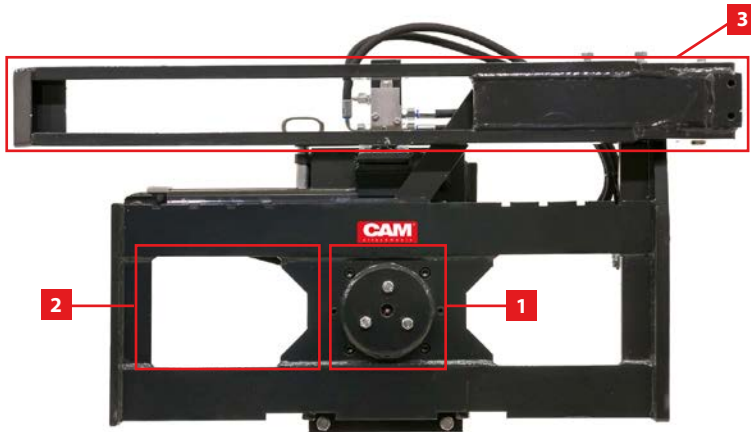
Chapter overview

10.1 Box rotator 180°

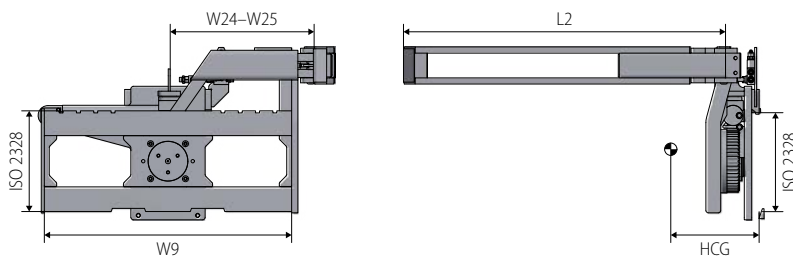
RLW 62



Box rotator 180°



The RLW box rotator was recently updated. It's now one of the most innovative box rotator on the market, with larger gear and gear racks. Locking pins have been replaced by ball valves that closes the hydraulic circuit when the rotating system isn't being used. A big increase in safety. This model is suitable for seasonal and intensive use.



1. High-quality threaded tipping shaft with adjustable ball bearing
2. Optimal visibility guaranteed thanks to the exceptionally open construction
3. Folding third arm (operated by gas spring) with adjustable width
4. 180° rotator (left-hand rotation by default)
5. Control valve included as standard equipment
6. 3-way valve instead of locking pin (when rotator is attached to the truck but isn't being used)
7. Wider gear/rack (higher modulus gear/rack)





Technical data

> Technical data without forks

> Without sidershifter

Model	Capacity kg/mm	W9 mm	W24–W25 mm	L2 mm	HCG mm	Weight kg	ISO 2328
Type RLW							
RLW25.02	2500/500	1000	560–800	1240		270	2
RLW35.01	3500/500	1200	680–900	1240		345	3
Type RLW-R							
RLW25.02.R	2500/500	1000	560–800	1240	158	270	2
RLW35.01.R	3500/500	1200	680–900	1240	158	345	3

Advantages

- > Improves productivity
- > High-quality threaded tipping shaft with adjustable ball bearing
- > Optimal visibility is guaranteed thanks to the exceptionally open design
- > Folding third arm (operated by a gas spring) with adjustable width

Type RLW (adjustable left arm)



Type RLW-R (adjustable right arm)



Technical data

- > Technical data without forks
- > With integrated sidershifting

> Total sidershifter stroke: 100 + 100 mm

Model	Capacity kg/mm	W9 mm	W24–W25 mm	L2 mm	HCG mm	Weight kg	ISO 2328
Type RLW-ES							
RLW25.02.E.S	2500/500	1000	560–800	1240	141	335	2
RLW35.01.E.S	3500/500	1200	680–900	1240	145	405	3

Advantages

- > Improves productivity
- > 360° rotation

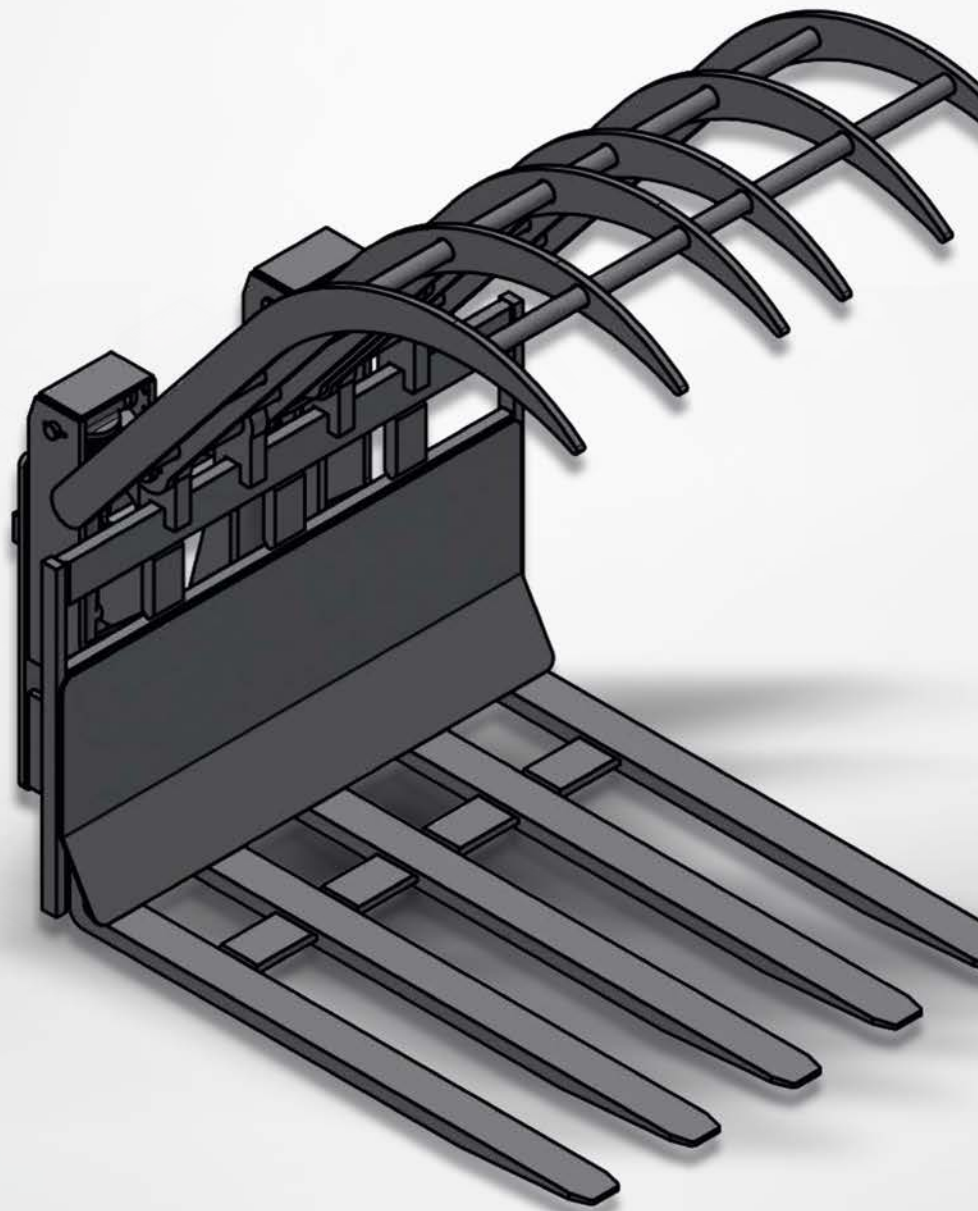
Type RLW-ES (adjustable left arm)



> See this attachment in action



These attachments have FEM-hooks for mounting. In case your machine doesn't have a FEM-carriage, the attachments can be mounted on your machine with one of our pallet forks frames, which can be found in chapter "pallet forks frame for telehandlers" and "pallet forks frame for tractors". Please don't hesitate to contact our CAM contact person for further info.



11. Broke handlers

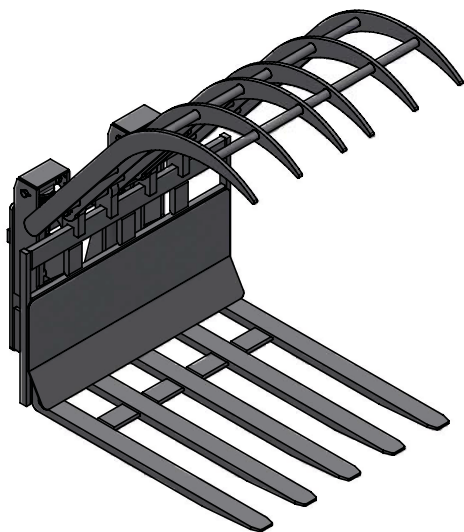
Broke Handlers are used for all kinds of standard packaging of goods, such as waste paper, straw, chemical fiber, etc. Widely used in farming and animal husbandry, recycling industry, textile and other industries.

Chapter overview

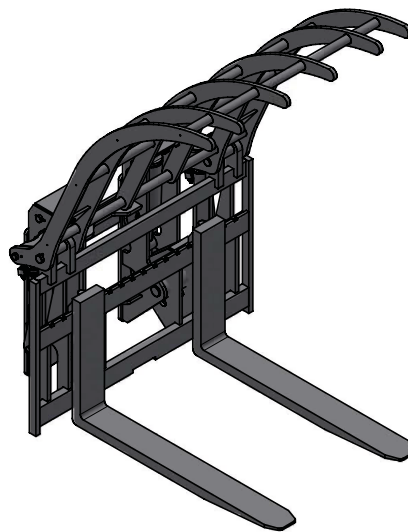
11.1 Broke handler

ZKB 66

Broke handler



with forks



without forks



Technical details

Model	Capacity	Opening Range	Forks Size	Suitable Forks Length	Frame Width	Jaw Width	LL	HCG	Tilt Forward/Backward	Weight	ISO 2328	RRP
	kg/mm	mm	mm	mm	mm	mm	mm	mm	°	kg		Euro
With forks												
ZKB25-1212-1213B	2500/600	-100-1900	100x40x1220	1220	1200	1300	345	509	12/45	822	3	6660
ZKB25-1312-1313B	2500/600	-180-1800	100x40x1370	1370	1200	1300	345	529	12/45	888	3	7300
ZKB25-1212-1212B	2500/600	0-2250	100x40x1220	1220	1200	1240	502	345	12/45	828	3	7300
ZKB45-1312-1313B	4500/600	-150-2000	100x45x1370	1370	1200	1300	345	573	12/45	1108	3	8340
ZKB45-1313-1313B	4500/600	-50-1850	125x50x1370	1370	1300	1300	380	572	12/45	1266	3	8450
Without forks												
ZKB25-1211-0013B	2500/600	-100-1900	–	1220	1150	1300	345	412	12/45	550	3	5590
ZKB25-1213-0012B	2500/600	50-2300	–	1220	1300	1240	350	398	12/45	586	3	6040
ZKB25-1511-0002B	2500/600	600-1900	–	1520	1150	280	345	342	12/45	463	3	4810

These attachments have FEM-hooks for mounting. In case your machine doesn't have a FEM-carriage, the attachments can be mounted on your machine with one of our pallet forks frames, which can be found in chapter "pallet forks frame for telehandlers" and "pallet forks frame for tractors". Please don't hesitate to contact our CAM contact person for further info.

Notes

A series of horizontal dotted lines for writing notes.



12. Forks & fork extensions

You'll find a wide variety of forks that will definitely meet your needs, regardless of the size, type or configuration: FEM forks, reach forks, weighing forks, fork extensions and more.

Chapter overview

12.1	Pin-type forks	Forks	70
12.2	Fork	Forks	72
12.3	Fork extension – closed	EXT	74
12.4	Fork extension – open	EXT2	75

Pin-type forks



Used for JCB

Section mm	Fork Length mm	Inner Ø Tube mm	Centre line height mm	Ref
80 x 40	1067	45	568	142TA2983
80 x 40	1070	45	572	142TA2984
80 x 40	1200	45	572	142TA2985
80 x 50	1200	58	572	142TA2986
100 x 40	1070	52	569	142TA2987
100 x 40	1200	52	569	142TA2988
100 x 45	1067	52	570	142TA2989
100 x 50	1067	58	570	142TA2990
100 x 50	1200	52	570	140TA8245
100 x 50	1200	58	570	142TA2991
120 x 50	1200	58	570	142TA2992
125 x 40	1200	52	570	142TA2993



Used for MANITOU

Section mm	Fork Length mm	Inner Ø Tube mm	Centre line height mm	Ref
125 x 40	1200	61,5	720	142TA2994
125 x 45	1200	61	720	159TA9794
125 x 45	1200	51	545	140TA8252
125 x 50	1200	61	540	140TA8253

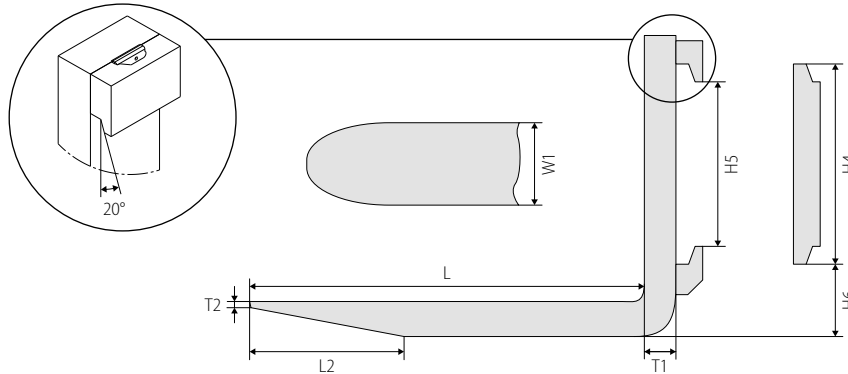
Different measurements are available on request

> Different measurements can be requested.

Notes

A series of horizontal dotted lines for writing notes.

Fork



Technical data

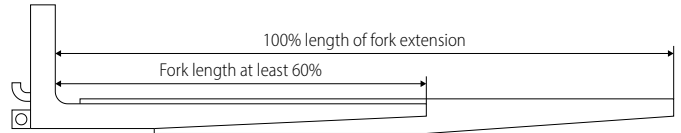
Class FEM	Lift truck capacity	Norm ISO 2328	H6	H4	H5	We propose to use fork section = W1 x T1
	kg		mm	mm	mm	
1	0–999	1A	76	331	306	80 x 35
		1B	114			
2	1000–1500	2A	76	407	382	80 x 40 100 x 32 100 x 35 100 x 40
		2B	152			
3	1800–2000	2A	76	508	477	100 x 40 100 x 45 120 x 40
		2B	152			
4	2200–2500	2A	76	635	598	100 x 45 125 x 40
		2B	152			
3	2800–3500	3A	76	508	477	100 x 45 100 x 50 125 x 45
		3B	203			
4	3500–4999	3A	76	635	598	125 x 45 125 x 50 130 x 60
		3B	203			
4	5000–9000	4A	127	635	598	150 x 50 130 x 60 150 x 60 150 x 70
		4B				

- > FEM forks meet ISO standards
- > High-quality chromium-manganese steel to guarantees high mechanical strength
- > Refined finish: manufactured on the basis of a rolled profile
- > Forks comply with European standards

These forks have FEM-hooks for mounting. In case your machine doesn't have a FEM-carriage, the forks can be mounted on your machine with one of our pallet forks frames, which can be found in chapter "pallet forks frame for telehandlers" and "pallet forks frame for tractors". Please don't hesitate to contact our CAM contact person for further info.

Fork section W1 x T1		Capacity/ ISO 2328 pair	Fork length L1															
mm	kg/mm		800 mm	900 mm	1000 mm	1070 mm	1100 mm	1150 mm	1200 mm	1300 mm	1400 mm	1500 mm	1600 mm	1800 mm	2000 mm	2200 mm	2400 mm	2500 mm
80 x 40	2000/500	2A	BF38622	BF38628	BE44706	-	BF38670	BF38694	BE44710	BJ05664	BF38762	BF38790	BF38826	BF38860	-	-	-	-
100 x 35	1900/500	2A	BJ04664	BF38630	BF38642	BF29396	BF38672	BF38696	BF38712	BF38744	BF38764	BF38792	BF38828	BJ06772	-	-	-	-
100 x 40	2500/500	2A	BF38624	BF38632	BF38644	BF29400	BE44712	BF38698	BE44714	BF38746	BF38766	BF38794	BF38862	BF38892	BF38892	BJ05734	bJ06820	-
100 x 45	3000/500	2A	BJ04668	BF38634	BF38646	BF38666	BF38674	BF38700	BE44716	BF38748	BF38768	BF38796	BF38832	BF38864	BF38894	BJ05736	BJ05740	-
120 x 40	3000/500	2A	BJ06822	-	BF38648	BF29406	BF38676	BF38702	BF38714	BF38750	BF38770	BF38798	BF38834	BF38866	BF38896	BJ07058	BF38930	-
125 x 40	3000/500	2A	-	-	BJ06826	-	BF38678	-	BF38716	BJ06830	BJ06832	BF38800	BJ06834	BF38868	BJ06836	-	-	-
125 x 45	4100/500	2A	-	BF38636	BF38650	-	BE44718	BF38704	BE44720	BF38752	BF38772	BF38802	BF38836	BF38870	BF38898	BF38916	BF38932	-
80 x 40	2000/500	2B	BJ04670	BJ05950	BF38652	-	BF38680	BJ05936	BF38718	-	BJ06902	-	-	-	-	-	-	-
100 x 35	1900/500	2B	-	-	BJ06760	-	BJ04748	-	BJ04786	-	-	BJ06768	-	-	-	-	-	-
100 x 40	2500/500	2B	BF38626	BF38638	BF38654	-	BF38682	BF38706	BF38720	BJ04842	BF38774	BF38804	BF38838	BF38872	BJ05032	BJ06780	-	-
100 x 45	3000/500	2B	-	-	BJ04704	-	BJ04758	BJ06858	BJ04796	-	BJ04864	BJ06756	BJ04952	BJ06862	-	-	-	-
120 x 40	3000/500	2B	-	-	BF38656	-	BJ04754	BF38708	BF38722	BJ06872	BF38776	BJ06874	BJ06876	-	-	-	-	-
125 x 45	4100/500	2B	-	-	BJ04702	-	BJ04756	-	BF38724	BJ06888	BJ04866	BJ06890	BF38840	BF38900	-	-	-	-
100 x 45	3000/500	3A	-	-	BJ04706	-	BF38684	BJ06914	BF38726	BJ04844	BJ04868	BF38806	BF38842	BJ04990	BJ05036	CC18704	BJ07036	-
100 x 50	3900/500	3A	-	-	BJ04708	-	BF38686	BJ06920	BF38728	BJ06782	BJ04870	BF38808	BJ04956	BF38876	BF38902	BJ07038	BJ05094	-
120 x 50	4500/500	3A	-	-	BJ04710	-	BJ04764	BJ06750	BJ04802	BJ06782	BJ04872	BJ04910	BJ04958	BJ04994	BJ05040	BJ06784	BJ05096	-
125 x 45	4100/500	3A	-	-	BF38658	BE39912	BF38688	BF38710	BE44722	BF38754	BF38778	BF38810	BF38844	BF38878	BF38904	BF38918	BF38934	-
125 x 50	5000/500	3A	-	BF38640	BJ04714	BF38668	BJ04768	BJ07040	BF38730	BF38756	BF38780	BF38812	BF38846	BF38880	BF38906	BF38920	BF38936	-
130 x 60	7200/500	3A	-	-	BJ06936	-	BJ04772	-	BJ04812	BJ04852	BJ04882	BJ0498J	BJ04968	BJ05004	BJ05050	BJ07042	BJ05106	-
150 x 50	5800/500	3A	-	-	BF38660	BF29442	BF38690	-	BF38732	BJ04850	BF38782	BF38814	BF38848	BF38882	BF38908	BF38922	BF38938	-
150 x 60	7000/600	3A	-	-	BJ06754	-	-	-	BJ04810	-	BJ04880	BJ04918	BJ04966	BJ05002	BJ05048	BJ05080	BJ05104	-
100 x 50	3900/500	3B	-	-	BJ06944	-	BJ04774	-	BJ04814	BJ06948	BJ04884	BJ04922	BJ04970	BJ06950	BJ06952	-	-	-
125 x 45	4100/500	3B	-	-	BF38662	-	BF38692	-	BF38734	BF38758	BF38784	BF38816	BF38850	BF38884	BJ05052	-	BJ05108	-
125 x 50	5000/500	3B	-	-	-	-	-	-	BJ04818	BJ04856	BJ04888	BJ04926	BJ04974	BJ05008	BJ05054	-	BJ05110	-
150 x 50	5800/500	3B	-	-	-	-	-	-	BF38736	BJ04858	BJ04890	BF38818	BF38852	BF38886	BF38910	BF38924	BF38940	-
130 x 60	7200/500	4A	-	-	-	-	-	-	BJ04824	BJ06982	BJ04892	BJ04932	BJ04978	BJ05014	BJ05060	-	BJ07050	-
150 x 50	5000/600	4A	-	-	-	-	-	-	BF38738	BJ06986	BF85280	BF38820	BF38854	BJ05016	BJ05062	BJ05084	BJ05116	-
150 x 60	7000/600	4A	-	-	BF38664	-	BJ04778	-	BF38740	BF38760	BF38786	BF38822	BF38856	BF38888	BF38912	BF38926	BF38942	CC18708
150 x 65	8220/600	4A	-	-	-	-	-	-	BJ04822	-	-	BJ04930	-	BJ05012	BJ05058	BJ06752	BJ05114	-
150 x 70	9000/600	4A	-	-	-	-	-	-	BF38742	BJ07008	BF38788	BF38824	BF38858	BF38890	BF38914	BF38928	BF38944	-
200 x 60	9200/600	4A	-	-	-	-	-	-	BJ04832	-	-	BJ04940	BJ06740	BJ05022	BJ05068	BJ05090	BJ05122	-
200 x 70	12000/600	4A	-	-	-	-	-	-	BJ06810	-	-	BJ06816	BJ05954	BJ05024	BJ05070	BJ05092	BJ05124	-
150 x 50	5000/600	4B	-	-	-	-	-	-	BJ04834	-	BJ04900	BJ04942	BJ07052	BJ05026	CC18702	-	-	-
150 x 60	7000/600	4B	-	-	-	-	-	-	BJ04836	-	BJ04902	BJ04944	BJ06790	BJ05028	BJ05072	-	BJ05126	-
200 x 50	6500/600	4B	-	-	-	-	-	-	BJ04838	-	BJ07054	-	-	-	-	-	-	-
200 x 60	9200/600	4B	-	-	-	-	-	-	BJ04840	-	-	BJ04946	-	BJ05030	BJ06804	-	BJ06808	-

Fork extension – closed



Technical data

- > Material thickness: 6 mm up to fork section 150 x 50 mm
- > Material thickness: 8 mm starting from fork section 150 x 60 mm
- > Supplied with locking pin

Fork section W1 x T1 mm	REF length of fork extension								
	1200 mm	1400 mm	1500 mm	1600 mm	1800 mm	2000 mm	2200 mm	2400 mm	2500 mm
80 x 40	BE68072	BE68098	BE68124	BE68150	BE68176	BE68202	BE68228	BE68254	BE68280
100 x 40	BE68074	BE68100	BE68126	BE68152	BE68178	BE68204	BE68230	BE68256	BE68282
100 x 45	BE68078	BE68104	BE68130	BE68156	BE68182	BE68208	BE68234	BE68260	BE68286
100 x 50	BE68076	BE68102	BE68128	BE68154	BE68180	BE68206	BE68232	BE68258	BE68284
120 x 40	BG06500	BG06504	BG06508	BG06512	BG06516	BG06520	BG06524	BG06528	BG06532
120 x 50	BE68080	BE68106	BE68132	BE68158	BE68184	BE68210	BE68236	BE68262	BE68288
125 x 40	BE68082	BE68108	BE68134	BE68160	BE68186	BE68212	BE68238	BE68264	BE68290
125 x 45	BE68084	BE68110	BE68136	BE68162	BE68188	BE68214	BE68240	BE68266	BE68292
125 x 50	BG19716	BG19718	BG19720	BG19722	BF33930	BG19724	BG19726	BG19728	BG19730
130 x 45	BE68086	BE68112	BE68138	BE68164	BE68190	BE68216	BE68242	BE68268	BE68294
130 x 50	BE68088	BE68114	BE68140	BE68166	BE68192	BE68218	BE68244	BE68270	BE68296
130 x 60	BE68090	BE68116	BE68142	BE68168	BE68194	BE68220	BE68246	BE68272	BE68298
140 x 50	BE68092	BE68118	BE68144	BE68170	BE68196	BE68222	BE68248	BE68274	BE68300
150 x 50	BE68094	BE68120	BE68146	BE68172	BE68198	BE68224	BE68250	BE68276	BE68302
150 x 60	BE68096	BE68122	BE68148	BE68174	BE68200	BE68226	BE68252	BE68278	BE68304
150 x 70	BG06502	BG06506	BG06510	BG06514	BG06518	BG06522	BG06526	BG06530	BG06534
mm	1220 mm	1370 mm	1525 mm	1829 mm	1982 mm	2134 mm	2440 mm		
100 x 50	BH18336	BH18338	BH18340	BH18342	BH18344	BG88958	BH18346		
130 x 50	BG88960	BG88962	BG88964	BG88966	BG88968	BG88970	BG88972		
150 x 60	BH18348	BH18350	BH18352	BG88976	BG88978	BG88980	BH18354		

Fork extension length should not exceed original fork length by more than 60%

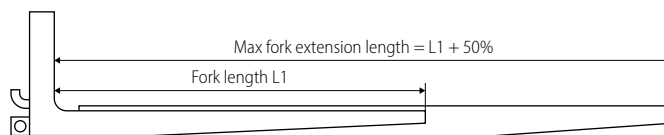
Conforms to ISO 13284

Made in Europe

Available on request

- > Other sizes

Fork extension – open



Technical data

> Material thickness: 8 mm

> Supplied with locking pin

Fork section W1 x T1 mm	REF length of fork extension								
	1200 mm	1400 mm	1500 mm	1600 mm	1800 mm	2000 mm	2200 mm	2400 mm	2500 mm
80 x 40	BF98760	BF98788	BF98816	BF98844	BF98872	BF98900	BG06550	BG06574	BG06598
100 x 40	BF98762	BF98790	BF98818	BF98846	BF98874	BF98902	BG06552	BG06576	BG06600
100 x 45	BF98764	BF98792	BF98820	BF98848	BF98876	BF98904	BG06554	BG06578	BG06602
100 x 50	BF98766	BF98794	BF98822	BF98850	BF98878	BF98906	BG06556	BG06580	BG06604
120 x 40	BG06536	BG06538	BG06540	BG06542	BG06544	BG06546	BG06548	BG06572	BG06596
120 x 50	BF98768	BF98796	BF98824	BF98852	BF98880	BF98908	BG06558	BG06582	BG06606
125 x 40	BF98770	BF98798	BF98826	BF98854	BF98882	BF98910	BG06560	BG06584	BG06608
125 x 45	BF98772	BF98800	BF98828	BF98856	BF98884	BF98912	BG06620	BG06622	BG06624
125 x 50	BF98774	BF98802	BF98830	BF98858	BF98886	BF98914	BG06562	BG06586	BG06610
130 x 45	BF98776	BF98804	BF98832	BF98860	BF98888	BF98916	BG06564	BG06588	BG06612
130 x 50	BF98778	BF98806	BF98834	BF98862	BF98890	BF98918	BG06566	BG06590	BG06614
140 x 50	BF98782	BF98810	BF98838	BF98866	BF98894	BF98922	BG06568	BG06592	BG06616
150 x 50	BF98784	BF98812	BF98840	BF98868	BF98896	BF98924	BG06570	BG06594	BG06618

Fork extension length should not exceed original fork length by more than 50%

Conforms to ISO 13284

Made in Europe

Available on request

> Other sizes

Notes

A series of horizontal dotted lines for writing notes.

Notes

A series of horizontal dotted lines for writing notes.



Looking for other attachments?

Visit our website to see our full range of attachments and related products



- > **Detailed product leaflets and full product catalogue** with all the details for different products and product groups.



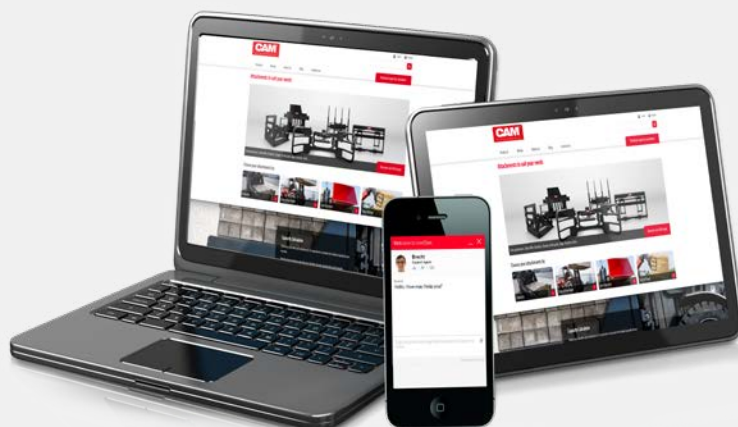
- > **Detailed product leaflets** with all the details for different products and product groups.



- > See our attachments in action! Our informative product movies **show you what's possible.**



- > Log in to the website to download your **user manual** or **spare-parts list.**



Get in touch

www.camattachments.com

Do you have questions about our attachments?
Your sales advisor is happy to help you.

Alternatively, fill in the contact sheet on our website or ask your question via the chat.

We are happy to help you!



www.camattachments.com
info@camattachments.com



Brabantstraat 15
8790 Waregem
Belgium
T +32 56 43 42 11
F +32 56 43 44 88