



LANGUAGE • EN

moving forward in every field

PTO

▶ **WALTERSCHEID**
Catalogue

www.bepcoparts.com

Member of **TVH** 

ABOUT BEPCO

The Bepco group is one of the world's leading suppliers of replacement parts, tractor accessories and spare parts for agricultural machinery.

With more than 500 employees, the Bepco Group has subsidiaries in Belgium, France, the Netherlands, Germany, Spain, Poland, Romania and UK. We are also present in Australia, New Zealand, South Africa and Brazil.

The Bepco Group is a global company with customers in more than 100 countries around the world, and its sales outside Europe contribute to more than a third of the turnover.

We offer our network of distributors and dealers:

- ▶ Suppliers of original equipment and other recognised brands
- ▶ More than 40.000 m² of storage area
- ▶ More than 110.000 references in stock
- ▶ Technical knowledge from industry experts
- ▶ Same day shipping for next day delivery

The Bepco Group is part of the TVH group, a supplier of quality parts and accessories for handling equipment, industrial vehicles and agricultural equipment.





BEPKO & WALTERSCHEID **PARTNERSHIP**

Bepco is the market leader for technical parts, with the widest range of engine and tractor parts available for all makes of tractor and combine.

We focus on high quality ranges and also suppliers to the original tractor and machine manufacturers and continue to introduce products of renowned quality and brands to complement the Bepco range.

Bepco is pleased to offer you this extensive range of **Walterscheid** PTO shafts and spare parts to expand our existing range.

Walterscheid, the premium name for PTO

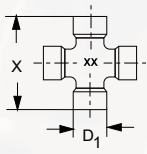
Walterscheid is part of the **GKN Group**, a global engineering business designing, manufacturing and servicing systems and components for most of the world's leading aircraft, vehicle and machinery manufacturers.

GKN is a global tier one supplier of power management products, systems and service solutions to the leading agricultural machinery manufacturers and specialises in the supply of PTO shafts, gears and spare parts.

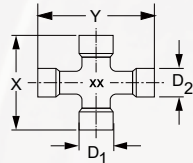
Bepco is proud to be a partner of GKN Walterscheid and a supplier of its premium branded range of PTO driveshafts, clutches and spare parts.

IDENTIFICATION GUIDE

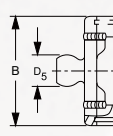
Universal joints W & P



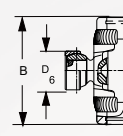
Universal joints WW & PW



WW

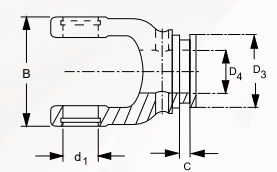


PW



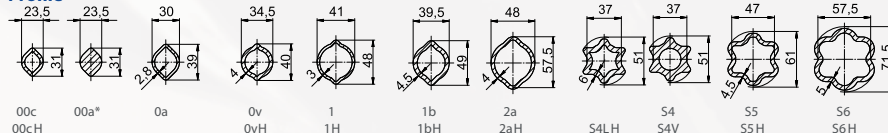
=

W & P

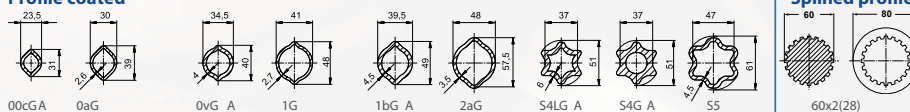


Series	Universal joint dimensions							Yoke dimensions									
	W	P	Type W & P (Power Drive)				Type W & P			Type W	Profile		Type P				
			X	Y	D1	D2	XX	B	d1	C	D3	D5	D4	C	D3	D6	
W		2000		47		18		19	56	18	5	47		00c/0a			
		2100		55		22		10	63	22	5	47		00c/0a			
		2200		61		24		20	70	24	5	58		0v/1			
	P	2300	300	75		27		21	84	27	5	58		0v/1	5/11	85	
		2400	400	76		32		35	86	32	5	70		1b/2a	5/11	85	
		2500	500	89		36		36	100	36	5	70		S4/S5	5/11	85	
		2600	600	104		42		26	120	42	5	90		S4/S5	16	104	
		2700	700	118		50		27	138	50	5	90		S5H/S6	16	104	
			800	135		53		28	155	50	5	90		60x2(28)	16	104	
		WW		2280		61	76	24	22	20	70	24	5	74	22	00cGA/0aG	
												58	0vGA/1G				
	2380			75	91	27	24	21	84	27	5	58	24	0vGA/1G			
												70		1bGA/2aG			
PW	2480		480	76	94	32	27	35	86	32	5	70	27	1bGA/2aG	5	70	33
	2580		580	89	106	36	32	36	100	36	5	70	30	S4LG/S5	5	70	39
			675	104	124	42	36	26	120	42				S4VGA/S5H S5H/S6H	5 5/16	70	39

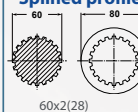
Profile



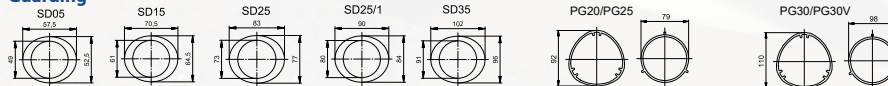
Profile coated



Splined profile



Guarding



* Profile shaft 00a replaced by profile tube 00c or 00cH.

INDEX

■ Series W2100-W100	<i>Universal joint 22 x 55</i>	7
■ Series W2200-W200	<i>Universal joint 24 x 61</i>	13
■ Series W2300-W300	<i>Universal joint 27 x 75</i>	19
■ Series W2400-W400	<i>Universal joint 32 x 76</i>	27
■ Series W2500	<i>Universal joint 36 x 89</i>	41
■ Series W2600	<i>Universal joint 42 x 104</i>	51
■ Series P400	<i>Universal joint 32 x 76</i>	59
■ Series P500	<i>Universal joint 36 x 89</i>	71
■ Series P600	<i>Universal joint 42 x 104</i>	81
■ Series P700	<i>Universal joint 50 x 118</i>	87
■ Series W2280	<i>Universal joint 24 x 61</i>	89
■ Series W2380	<i>Universal joint 27 x 75 x 24 x 91</i>	95
■ Series W2480	<i>Universal joint 27 x 75 x 24 x 91</i>	103
■ Series W2580	<i>Universal joint 36 x 89 x 32 x 106</i>	111
■ Series P480	<i>Universal joint 32 x 76 x 27 x 94</i>	117
■ Series P580	<i>Universal joint 36 x 89 x 27 x 94</i>	123
■ Quick Lock		127
■ Spare parts		131
■ Notes		143

SERIES W2100



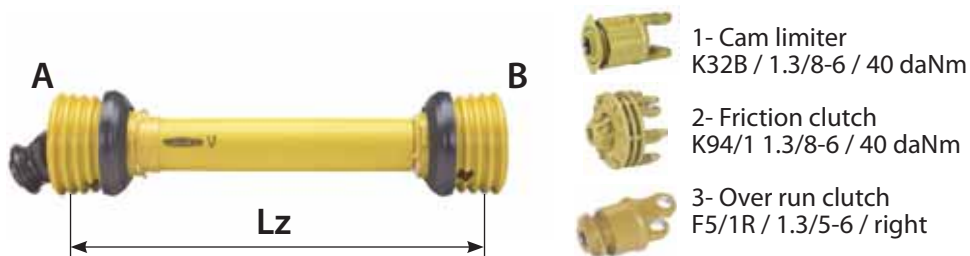
LZ	A	B	GKN	BEPCO
710	1.3/8" - 6	1.3/8" - 6	1113082	B99039
860	1.3/8" - 6	1.3/8" - 6	1113083	B99040
1010	1.3/8" - 6	1.3/8" - 6	1113084	B99041
1210	1.3/8" - 6	1.3/8" - 6	1113085	B99042

SERIES W100E



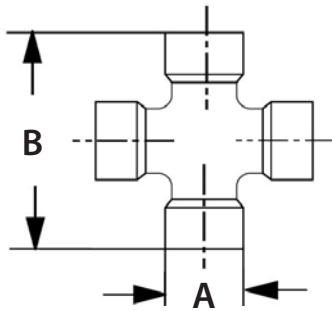
LZ	A	B	GKN	BEPCO
1010	1.3/8" - 6	1.3/8" - 6	1692716	P622100
1210	1.3/8" - 6	1.3/8" - 6	1694256	B99472

SERIES W100E WITH LIMITER



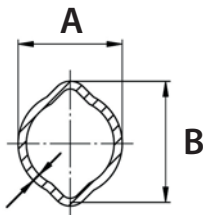
LZ	A	B	GKN	BEPCO
1010	1.3/8" - 6	1	1157598	B99226
1010	1.3/8" - 6	2	1138813	B99219
1010	1.3/8" - 6	3	1157650	B99227

UNIVERSAL JOINT



Nr	A	B	GKN	BEPCO
1	22	55	1040116	P010201
2	22	55	1116401	P010150

LEMON TUBE



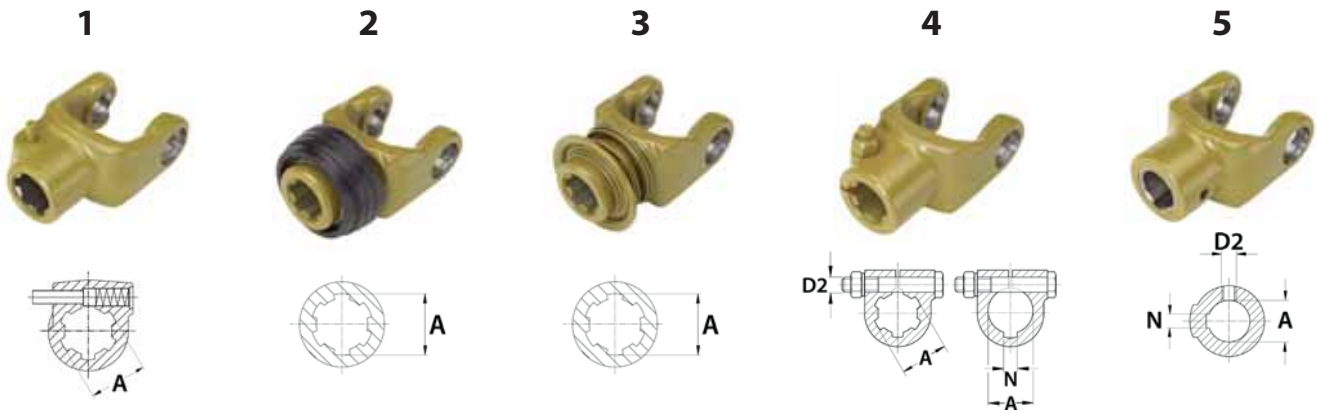
Type	L	A	B	GKN	BEPCO
00c	2900	23,5	31	1183750	P012202
0a	2900	30	39	1045630	P012213

COMPLETE JOINT



Nr	A	B	GKN	BEPCO
1	1.3/8" - 6	RG - 00c	1113294	B99087
2	1.3/8" - 6	RG - 0a	1113281	B99080

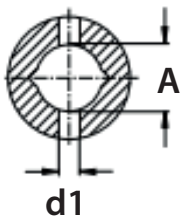
EXTERNAL YOKE



Nr	A	N	D2	GKN	BEPCO
1	1.1/8" - 6			1040188	B98961
1	1.3/8" - 6			1040154	P010202
1	1.3/8" - 21			1040460	B98969
1	21 x 25 - 6			1040201	B98962
2	1.3/8" - 6			1133830	B99160
2	1.3/8" - 21			1133838	B99164
3	1.3/8" - 6			1134744	B99475
3	1.3/8" - 21			1134745	B99476
4	25	8	M12 x 60	1040190	P621006
4	30	8	M12 x 75	1040164	P621007
5	20	6	M 8	1040233	B98966
5	22	6	M 10	1040215	B98963
5	25	8	M 10	1040217	B98964
5	30	8	M 10	1040224	B98965

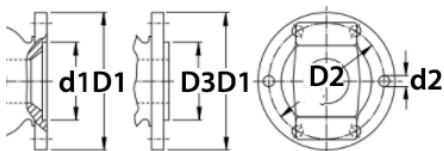


INTERNAL YOKE



A	d1	GKN	BEPCO
00c	8	1040444	P010260
0a	8	1040456	P110261
0v	8	1040436	P010258
1	8	1040440	P110259

YOKE WITH FLANGE



Nr holes	d1 x D1	d2 x D2	GKN	BEPCO
6	42 x 75	6,2 x 62	1040380	B105135
4	47 x 90	8,2 x 74,5	1040381	B98967

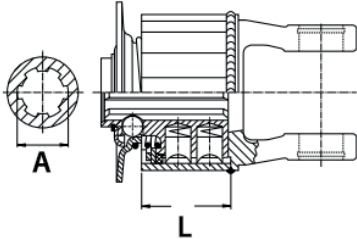
DOUBLE YOKE



L	GKN	BEPCO
65	1040388	B98968

STAR CAM LIMITER

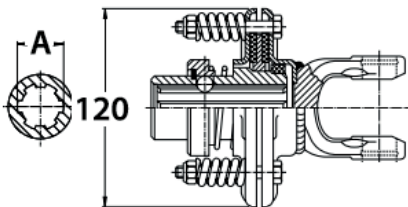
(SPARE PARTS: SEE PAGE 130)



Type	L	daNm	A	GKN	BEPCO
K31B	36	30	1.3/8" - 6	1351076	B99348
K32B	55	50	1.3/8" - 6	1351073	B99347
K32B	55	40	30 mm	1177977	B70214

FRICTION CLUTCH

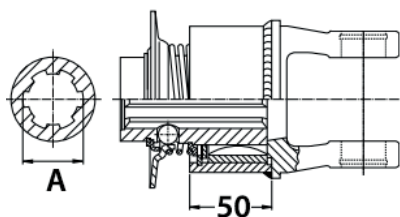
(SPARE PARTS: SEE PAGE 134)



A	Lock	daNm	GKN	BEPCO
1.1/8" - 6	M 10	40	1356995	B99358
1.3/8" - 6	M 10	40	1367664	B99414
30 mm	SPB 10	30	1363976	B99373

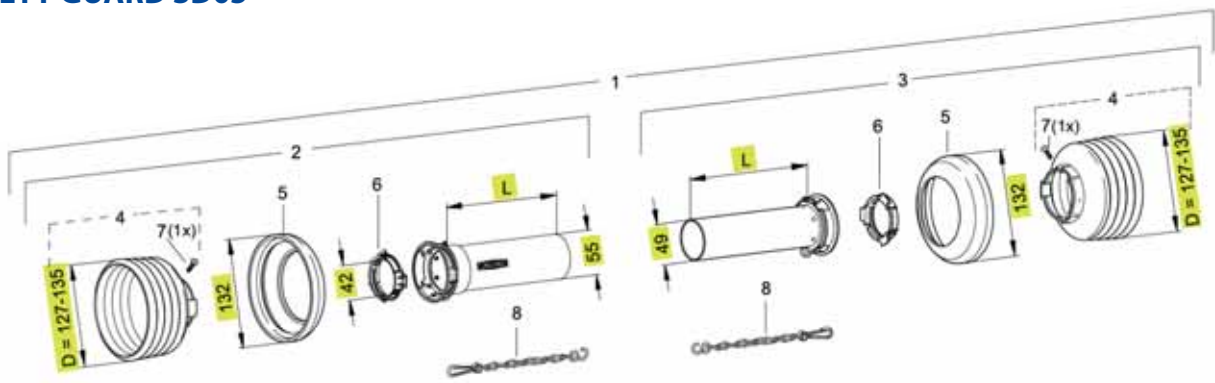
OVER RUN CLUTCH

(SPARE PARTS: SEE PAGE 140)



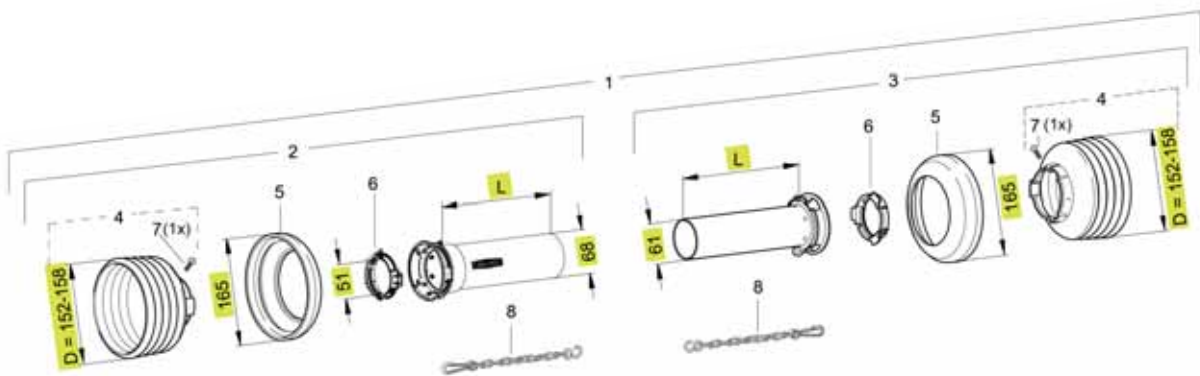
rot.	A	Lock	GKN	BEPCO
-->	1.3/8" - 6	ZV	1366889	B105136

SAFETY GUARD SD05



Nr	L	GKN	BEPCO
1	1000 mm	1368631	P010102
2	1000 mm	1368641	B99427
3	1000 mm	1368640	B99426
6		1359005	P359005
8	400 mm	1044321	P604321
8	600 mm	1382078	P682078

SAFETY GUARD SD15



Nr	L	GKN	BEPCO
1	1000 mm	1368632	P010105
2	1000 mm	1368642	B99428
2	1500 mm	1368678	B70156
3	1000 mm	1368634	B99425
3	1500 mm	1368677	B70155
6		1087279	P087279
8	400 mm	1044321	P604321
8	600 mm	1382078	P682078

SERIES W2200



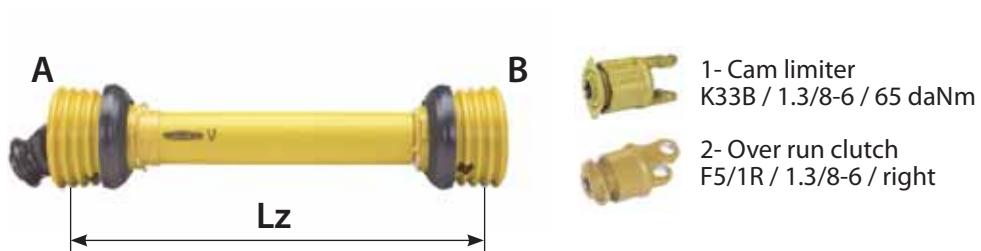
LZ	A	B	GKN	BEPCO
1210	1.3/8" - 6	1.3/8" - 6	1113090	B99043

SERIES W200E



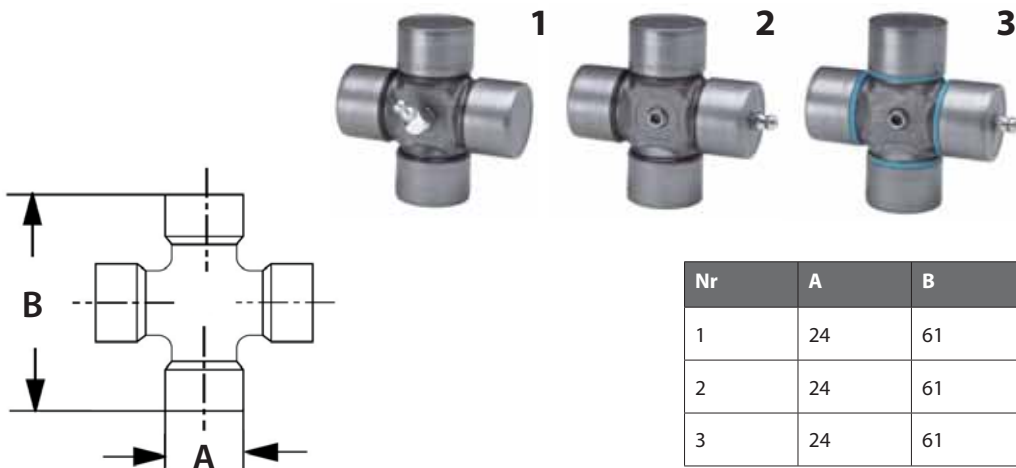
LZ	A	B	GKN	BEPCO
1010	1.3/8" - 6	1.3/8" - 6	1692995	P622200
1210	1.3/8" - 6	1.3/8" - 6	1692998	B99468

SERIES W200E WITH LIMITER



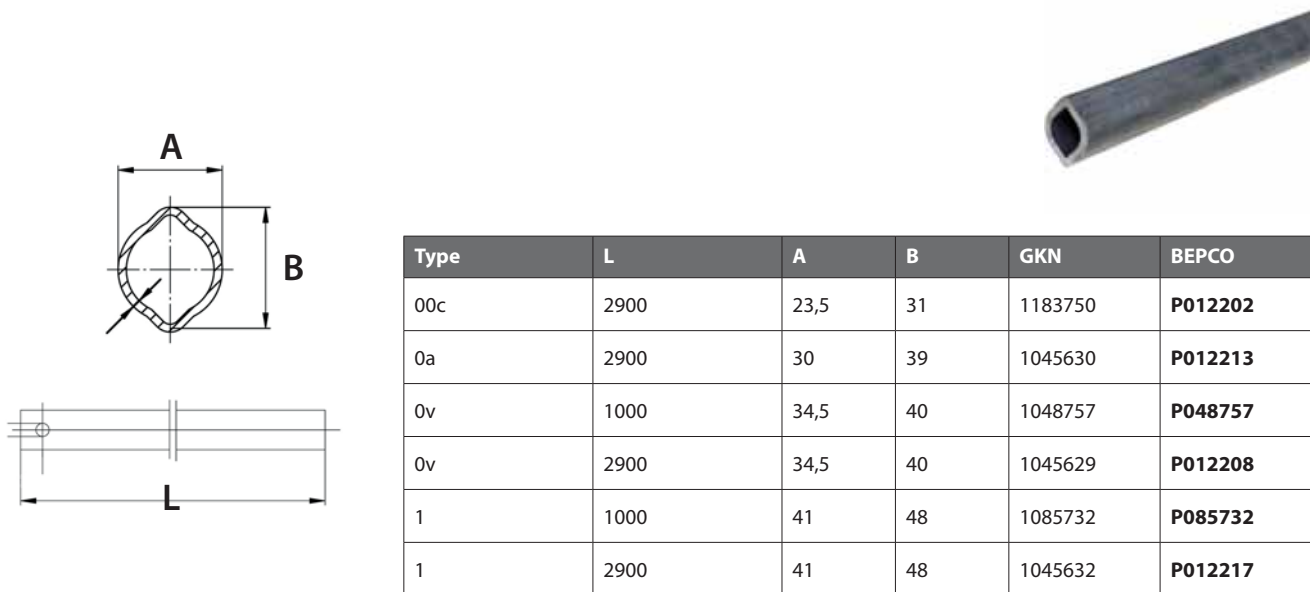
LZ	A	B	GKN	BEPCO
1010	1.3/8" - 6	1	1157657	B99228
1010	1.3/8" - 6	2	1692751	B99463

UNIVERSAL JOINT



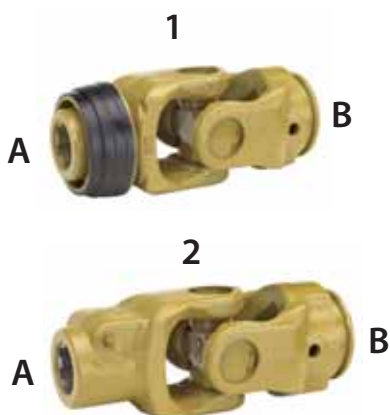
Nr	A	B	GKN	BEPCO
1	24	61	1044439	P110701
2	24	61	1116402	P010151
3	24	61	1122076	P010155

LEMON TUBE



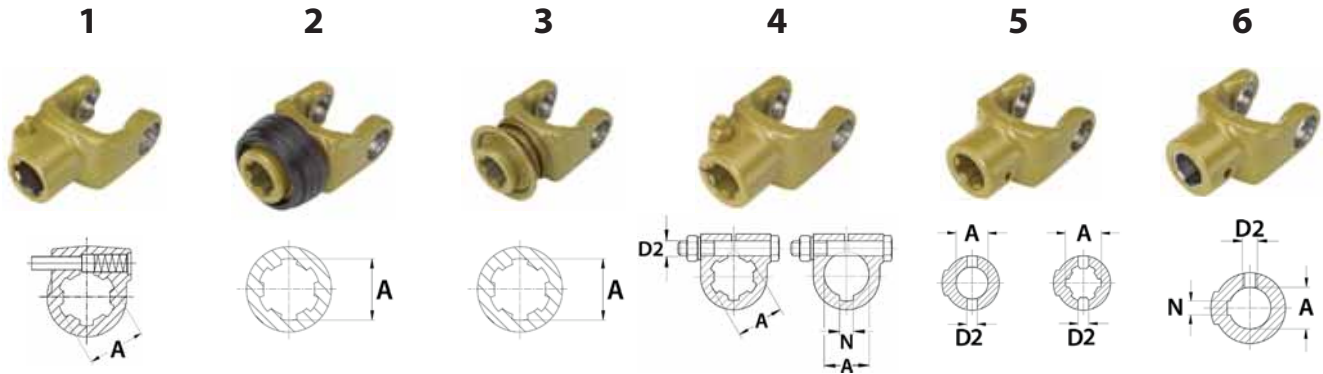
Type	L	A	B	GKN	BEPCO
00c	2900	23,5	31	1183750	P012202
0a	2900	30	39	1045630	P012213
0v	1000	34,5	40	1048757	P048757
0v	2900	34,5	40	1045629	P012208
1	1000	41	48	1085732	P085732
1	2900	41	48	1045632	P012217

COMPLETE JOINT



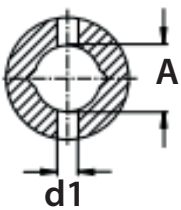
Nr	A	B	GKN	BEPCO
1	1.3/8" - 6	RG - 0v	1113295	B99088
2	1.3/8" - 6	RG - 1	1113283	B99081

EXTERNAL YOKE



Nr	A	N	D2	GKN	BEPCO
1	1.1/8" - 6			1041147	B98976
1	1.3/8" - 6			1041049	P010702
1	1.3/8" - 21			1041130	B98975
2	1.3/8" - 6			1133832	B99161
2	1.3/8" - 21			1133840	B99165
3	1.3/8" - 6			1134746	B99477
3	1.3/8" - 21			1134747	B99478
4	25	8	M12 x 60	1087849	B99012
4	30	8	M12 x 60	1041055	B98972
4	35	10	M12 x 75	1335448	B99316
5	30		10	1041154	P622069
6	20	6	M 8	1041086	B98973
6	25	8	M 10	1041088	B98974
6	30	8	M 10	1041156	P622070
6	35	10	M 12	1041213	B98977

INTERNAL YOKE



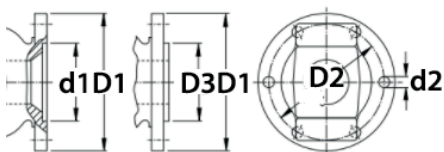
A	d1	GKN	BEPCO
00c	8	1041187	P010779
0a	8	1041190	P010781
0v	10	1041065	P110711
1	10	1041068	P110717

DOUBLE YOKE



L	GKN	BEPCO
78	1335436	B97152

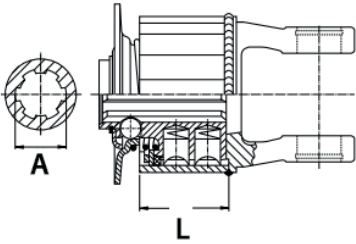
YOKE WITH FLANGE



Nr holes	d1 x D1	d2 x D2	GKN	BEPCO
6	57 x 100	8,2 x 84	1041143	B56733
4	47 x 90	8,2 x 74,5	1041126	P622016

STAR CAM LIMITER

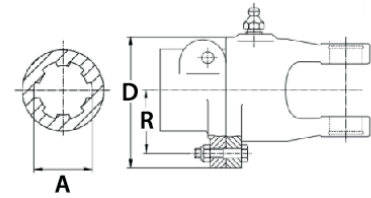
(SPARE PARTS: SEE PAGE 130)



Type	L	daNm	A	GKN	BEPCO
K32B	55	60	1.3/8" - 6	1359660	B99363
K33B	74	80	1.3/8" - 6	1358523	B99361

SHEAR BOLT CLUTCH

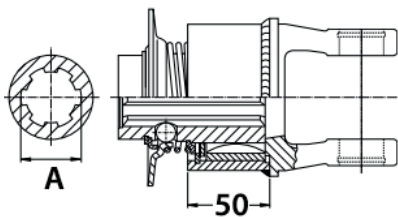
(SPARE PARTS: SEE PAGE 133)



A	D	R	daNm	GKN	BEPCO
1.1/8" - 6	106	42	91	1022856	B99982
1.3/8" - 6	106	42	91	1325155	B99296
1.3/8" - 6	106	42	140	1356609	B99357

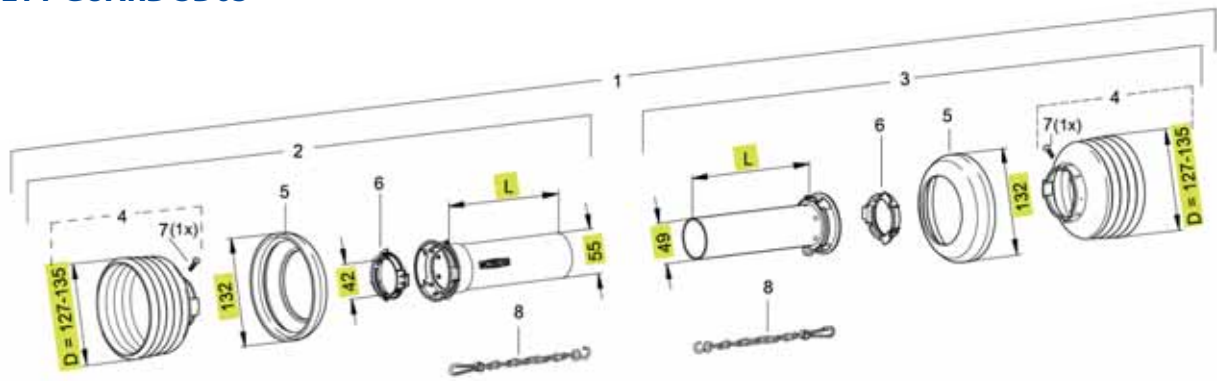
OVER RUN CLUTCH

(SPARE PARTS: SEE PAGE 140)



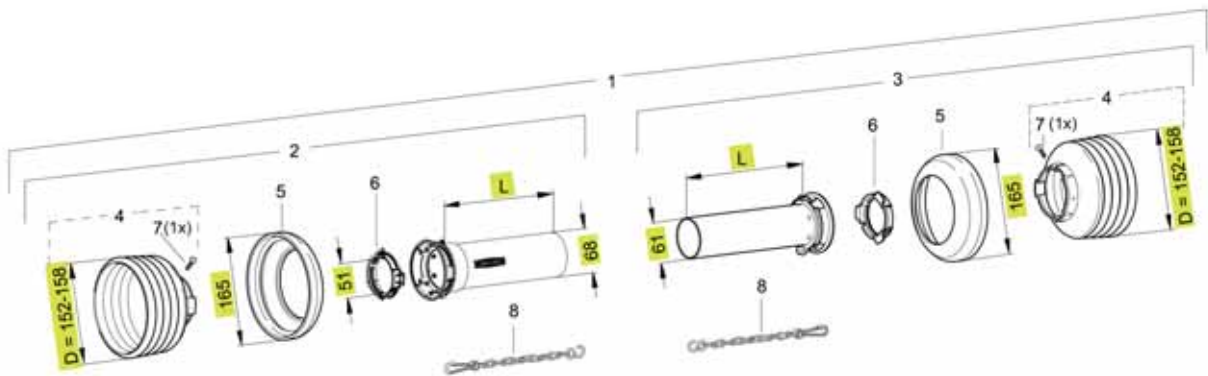
rot.	A	Lock	GKN	BEPCO
-->	1.3/8" - 6	ZV	1366589	B99392
<--	1.3/8" - 6	ZV	1366773	B99393

SAFETY GUARD SD05



Nr	L	GKN	BEPCO
1	1000 mm	1368631	P010102
2	1000 mm	1368641	B99427
3	1000 mm	1368640	B99426
6		1359005	P359005
8	400 mm	1044321	P604321
8	600 mm	1382078	P682078

SAFETY GUARD SD15



Nr	L	GKN	BEPCO
1	1000 mm	1368632	P010105
2	1000 mm	1368642	B99428
2	1500 mm	1368678	B70156
3	1000 mm	1368634	B99425
3	1500 mm	1368677	B70155
6		1087279	P087279
8	400 mm	1044321	P604321
8	600 mm	1382078	P682078

SERIES W2300 TUBE 0V/1



LZ	A	B	GKN	BEPCO
710	1.3/8" - 6	1.3/8" - 6	1113092	B99044
860	1.3/8" - 6	1.3/8" - 6	1113093	B99045
1010	1.3/8" - 6	1.3/8" - 6	1113094	B99046
1210	1.3/8" - 6	1.3/8" - 6	1113095	B99047

SERIES W2300 - TUBE 0V/1



LZ	GKN	BEPCO
1210	1113124	B99057

SERIES W2300 - TUBE 1B/2A



LZ	A	B	GKN	BEPCO
1010	1.3/8" - 6	1.3/8" - 6	1113099	B99048
1210	1.3/8" - 6	1.3/8" - 6	1113100	B99049

SERIES W300E



LZ	A	B	GKN	BEPCO
860	1.3/8" - 6	1.3/8" - 6	1692765	B99465
1010	1.3/8" - 6	1.3/8" - 6	1692763	P622300
1210	1.3/8" - 6	1.3/8" - 6	1692764	B99464

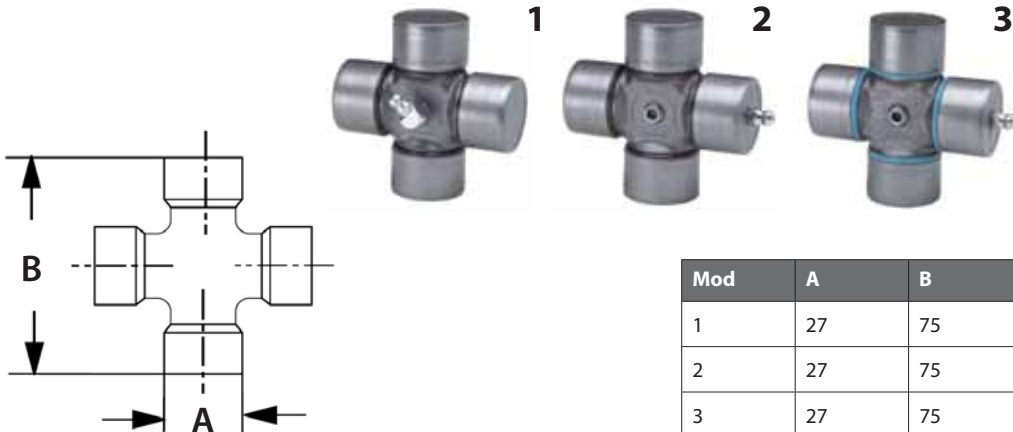
SERIES W300E WITH LIMITER



- 1- Cam limiter
K33B / 1.3/8-6 / 90 daNm
- 2- Friction clutch
K90 / 1.3/8-6 / 90 daNm
- 3- Over run clutch
F5/1R / 1.3/8-6 / right
- 4- Shear bolt clutch
KB61/20 / 1.3/8-6 / 160 daNm

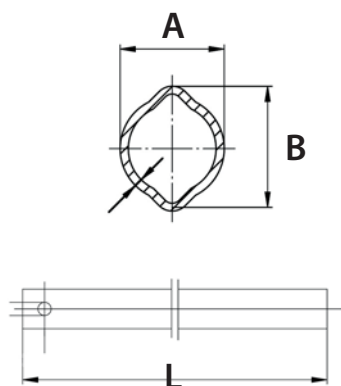
LZ	A	B	GKN	BEPCO
1010	1.3/8" - 6	1	1692777	P123587
1010	1.3/8" - 6	2	1694186	P694186
1010	1.3/8" - 6	3	1692772	P123457
1010	1.3/8" - 6	4	1692780	P692780

UNIVERSAL JOINT



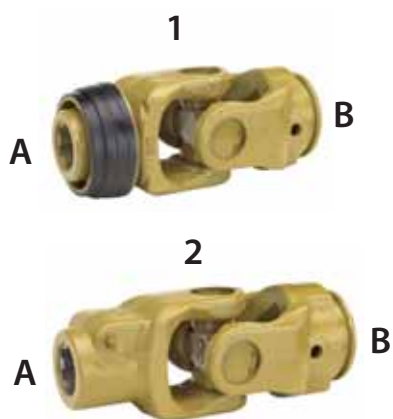
Mod	A	B	GKN	BEPCO
1	27	75	1044444	P010801
2	27	75	1116403	P010152
3	27	75	1122077	P010156

LEMON TUBE



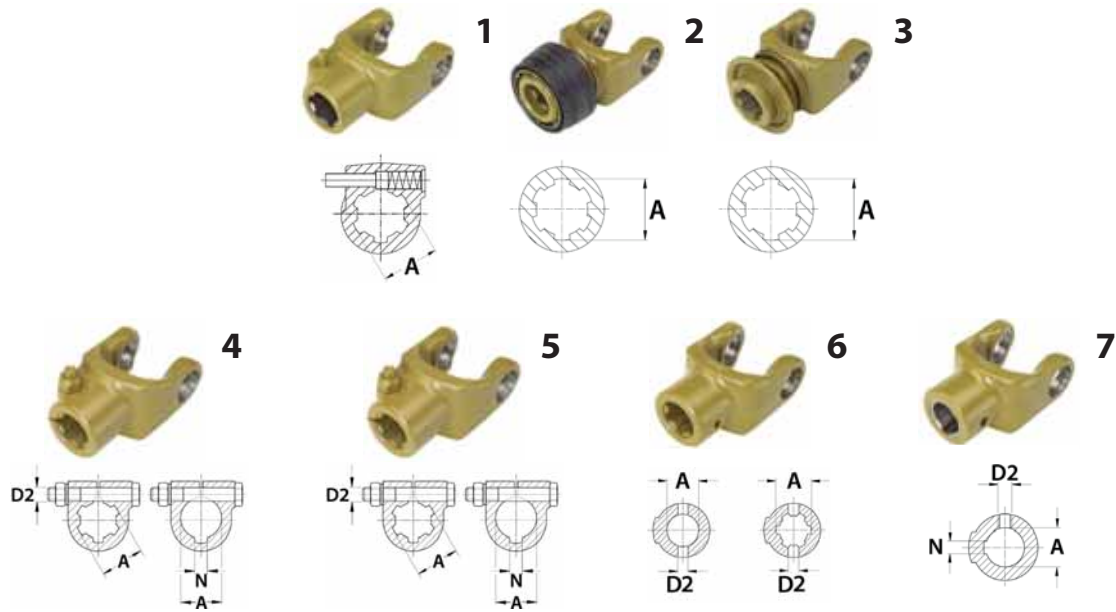
Type	L	A	B	GKN	BEPCO
0v	1000	34,5	40	1048757	P048757
0v	2900	34,5	40	1045629	P012208
1	1000	41	48	1085732	P085732
1	2900	41	48	1045632	P012217
1b	1000	39,5	49	1081953	P081953
1b	2900	39,5	49	1045634	P012224
2a	1000	48	57,5	1081684	P081953
2a	2900	48	57,5	1045636	P012232

COMPLETE JOINT



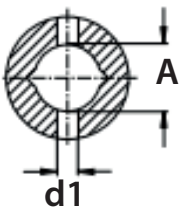
Nr	A	B	GKN	BEPCO
1	1.3/8" - 6	RG - 0v	1113296	B99089
2	1.3/8" - 6	RG - 1	1113285	B99082
1	1.3/8" - 6	RG - 1b	1113297	B99090
2	1.3/8" - 6	RG - 2a	1113287	B99083

EXTERNAL YOKE



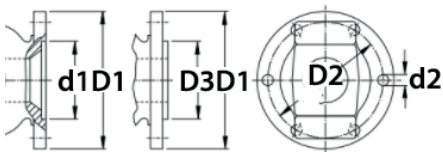
Nr	A	N	D2	GKN	BEPCO
1	1.3/8" - 6			1041378	P010802
1	1.3/8" - 21			1041341	B57630
1	1.3/4" - 6			1041331	B98980
1	1.3/4" - 20			1320671	B99287
2	1.3/8" - 6			1365798	B99383
2	1.3/8" - 21			1365800	B99384
2	1.3/4" - 6			1365806	B99387
2	1.3/4" - 20			1365808	B99388
3	1.3/8" - 6			1134748	B99479
3	1.3/8" - 21			1134749	B99480
4	1.3/8" - 6		M12 x 65	1041356	B98986
4	30	8	M12 x 65	1041360	B98987
4	35	10	M12 x 80	1041333	P622131
5	35	10	M12 x 80	1041335	B98981
5	40	12	M12 x 80	1080748	B99007
6	25		8	1041392	B98989
6	30		10	1041472	B98991
6	35		13	1041473	B98992
7	25	8	M 12	1041388	B98988
7	30	8	M 12	1041475	B98993
7	30	10	M 12	1041625	B98994
7	35	10	M 12	1041410	B98990
7	40	10	M 12	1195901	B99278

INTERNAL YOKE



A	d1	GKN	BEPCO
0v	10	1041315	P010809
1	10	1041318	P010811
1b	10	1041576	P010849
2a	10	1041577	P010850

YOKE WITH FLANGE



Nr holes	d1 x D1	d2 x D2	GKN	BEPCO
6	57 x 100	8,2 x 84	1041321	B98978
4	47 x 90	8,2 x 74,5	1041323	B98979

Nr holes	D3 x D1	d2 x D2	GKN	BEPCO
6	98 x 136	10,2 x 118	1082883	B99008

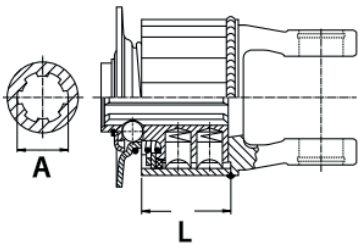
DOUBLE YOKE



L	GKN	BEPCO
75	1041351	B98982
115	1183458	B99983

STAR CAM LIMITER

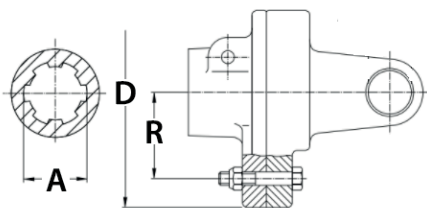
(SPARE PARTS: SEE PAGE 130)



Type	L	daNm	A	GKN	BEPCO
K33B	74	90	1.3/8" - 6	1358570	B99362
K33B	74	90	30 mm	1197808	B99282
K33B	74	90	1.3/8" - 21	1354262	B99353
K34B	93	120	1.3/8" - 6	1364628	B99375

SHEAR BOLT CLUTCH

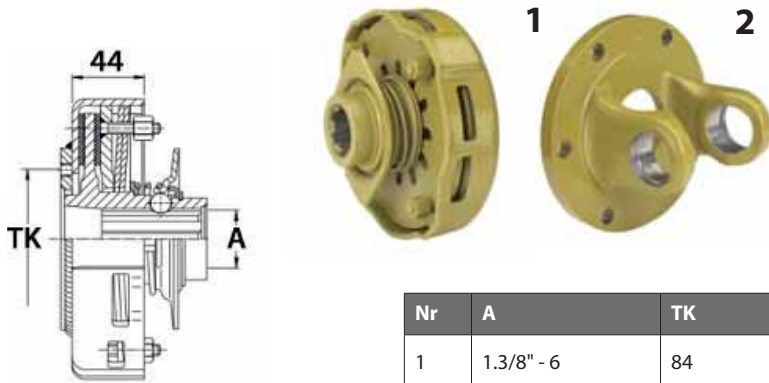
(SPARE PARTS: SEE PAGE 133)



A	D	R	daNm	GKN	BEPCO
1.3/8" - 6	140	48	160	1335848	B99322
1.3/8" - 6	140	56	186	1352124	B99349

FRICITION CLUTCH EK92

(SPARE PARTS: SEE PAGE 136)

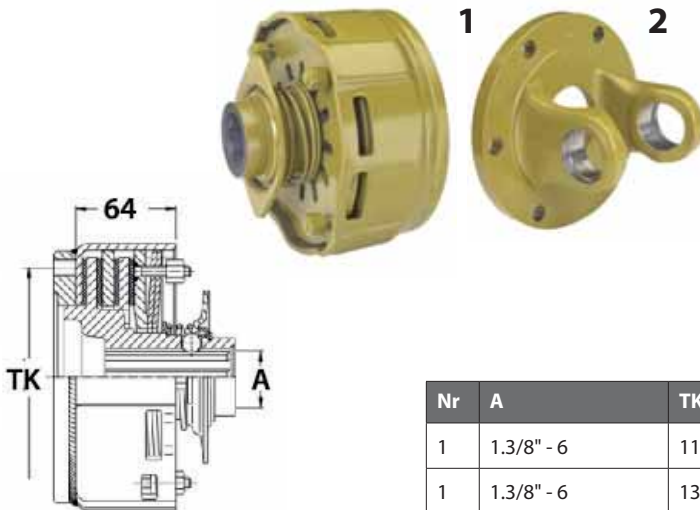


Nr	Series	GKN	BEPCO
2	W2300	1041321	B98978
2	W2400	1023469	B98959

Nr	A	TK	Nr holes	daNm	GKN	BEPCO
1	1.3/8" - 6	84	6	90	1053385	B99006

FRICITION CLUTCH EK92/4

(SPARE PARTS: SEE PAGE 137)

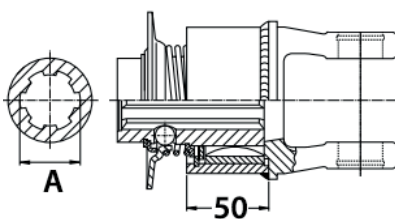


Nr	Series	TK	GKN	BEPCO
2	W2300	118	1082883	B99008
2	W2400	118	1325556	B99297
2	W2400	138	1320699	B93783

Nr	A	TK	Nr holes	daNm	GKN	BEPCO
1	1.3/8" - 6	118	6	135	1053352	B99004
1	1.3/8" - 6	138	6	150	1053357	B99005

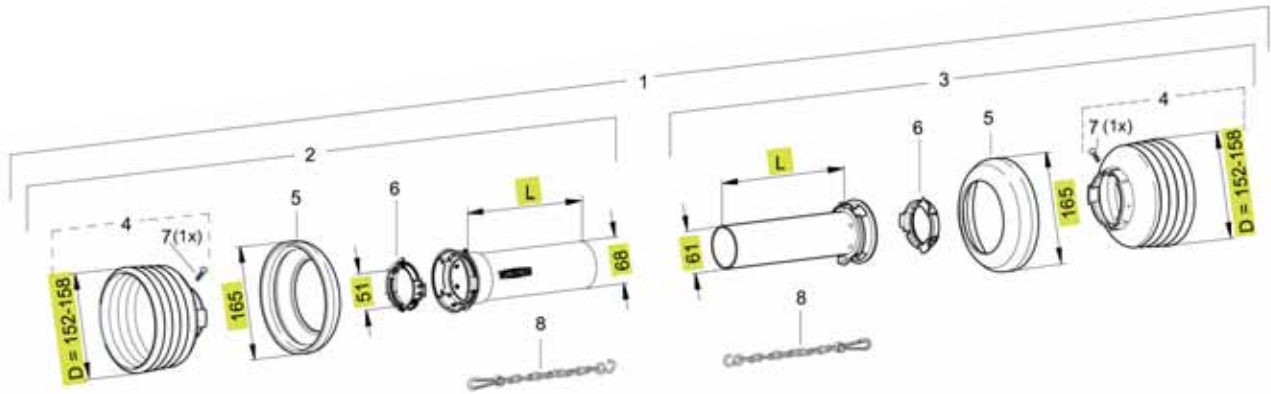
OVER RUN CLUTCH

(SPARE PARTS: SEE PAGE 140)



rot.	A	Lock	GKN	BEPCO
-->	1.3/8" - 6	ZV	1366750	B99997
-->	1.3/8" - 21	ZV	1366899	B47995
<--	1.3/8" - 6	ZV	1367099	B99413

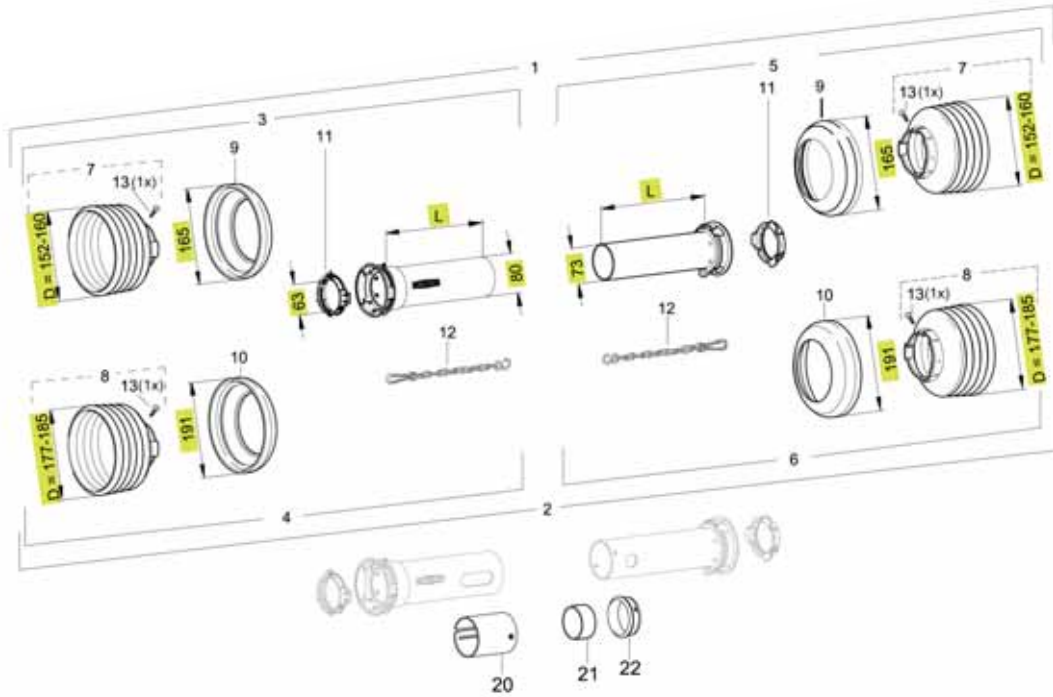
SAFETY GUARD SD15



Nr	L	GKN	BEPCO
1	1000 mm	1368632	P010105
2	1000 mm	1368642	B99428
2	1500 mm	1368678	B70156
3	1000 mm	1368634	B99425
3	1500 mm	1368677	B70155
6		1087279	P087279
8	400 mm	1044321	P604321
8	600 mm	1382078	P682078



SERIES W2300-W300 - SAFETY GUARD SD25



Nr	L	GKN	BEPCO
1	1000 mm	1368509	P110108
3	1000 mm	1368518	B99424
3	1500 mm	1368761	B99429
4	1500 mm	1375633	B99436
5	1000 mm	1368516	B99423
5	1500 mm	1368519	P852507
6	1500 mm	1375632	B99435
11		1087276	P087276
12	400 mm	1044321	P604321
12	600 mm	1382078	P682078

SERIES W2400 - TUBE 1B/2A



LZ	A	B	GKN	BEPCO
710	1.3/8" - 6	1.3/8" - 6	1113102	B99050
860	1.3/8" - 6	1.3/8" - 6	1113103	B99051
1010	1.3/8" - 6	1.3/8" - 6	1113104	B99052
1210	1.3/8" - 6	1.3/8" - 6	1113105	B99053

SERIES W2400 - TUBE 1B/2A



LZ	GKN	BEPCO
1210	1113128	B99058

SERIES W2400 - TUBE S4LH/S5



LZ	A	B	GKN	BEPCO
860	1.3/8" - 6	1.3/8" - 6	1113108	P690847
1210	1.3/8" - 6	1.3/8" - 6	1113110	P169841





SERIES W400E



LZ	A	B	GKN	BEPCO
1010	1.3/8" - 6	1.3/8" - 6	1692811	P622400
1210	1.3/8" - 6	1.3/8" - 6	1692808	B99467

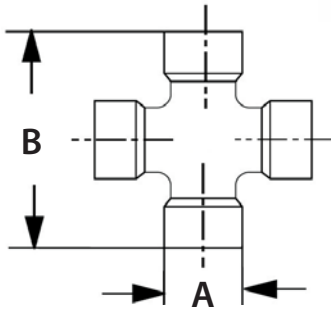
SERIES W400E WITH LIMITER



-  1- Friction clutch
K90/4 - 1.3/8-6 - 140 daNm
-  2- Friction clutch
K92/4 - 1.3/8-6 - 135 daNm
-  3- Over run clutch
F5/1R - 1.3/8-6 - right
-  4- Shear bolt clutch
KB61/20 - 1.3/8-6 - 250 daNm

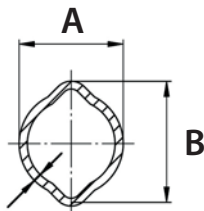
LZ	A	B	GKN	BEPCO
1010	1.3/8" - 6	1	1694240	P125226
1010	1.3/8" - 6	2	1694705	P694705
1010	1.3/8" - 6	3	1692784	P123620
1010	1.3/8" - 6	4	1692797	P692801

UNIVERSAL JOINT



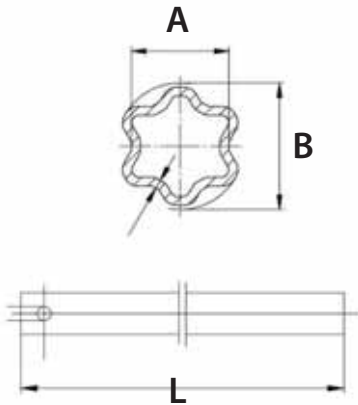
Mod	A	B	GKN	BEPCO
1	32	76	1312410	P011401
2	32	76	1116404	P010154
3	32	76	1122078	P010157

LEMON TUBE



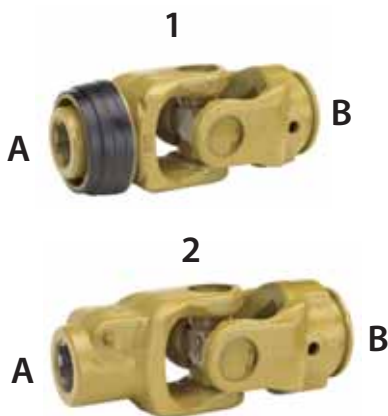
Type	L	A	B	GKN	BEPCO
1b	1000	39,5	49	1081953	P081953
1b	2900	39,5	49	1045634	P012224
2a	1000	48	57,5	1081684	P081953
2a	2900	48	57,5	1045636	P012232

STAR TUBE



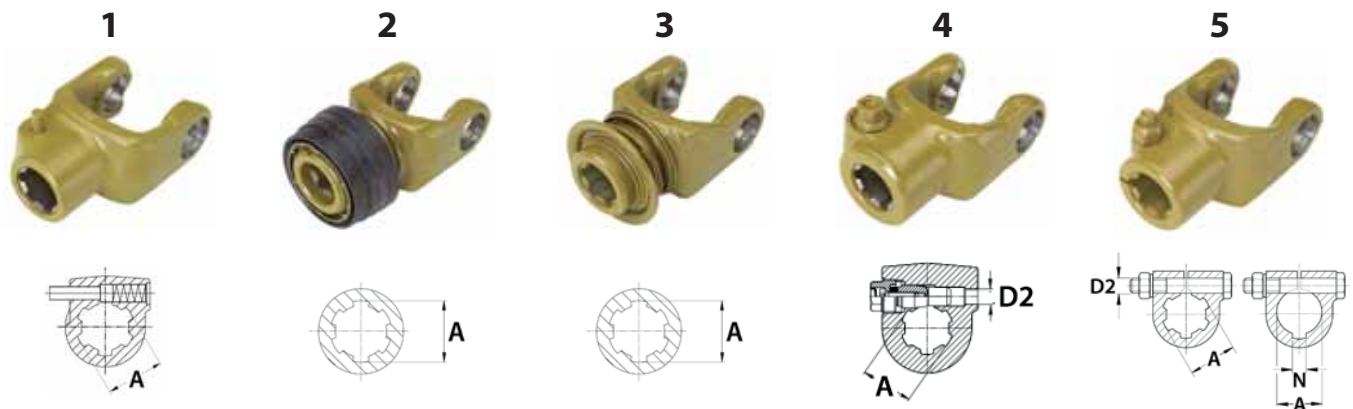
Type	L	A	B	GKN	BEPCO
S4	1000	37	51	1697203	P697203
S4	1400	37	51	1699742	B97735
S4	2900	37	51	1045649	P112240
S4LH	1000	37	51	1134941	B97731
S5	1000	47	61	1017660	P017660
S5	1400	47	61	1134935	P134935
S5	2900	47	61	1045639	P012246

COMPLETE JOINT



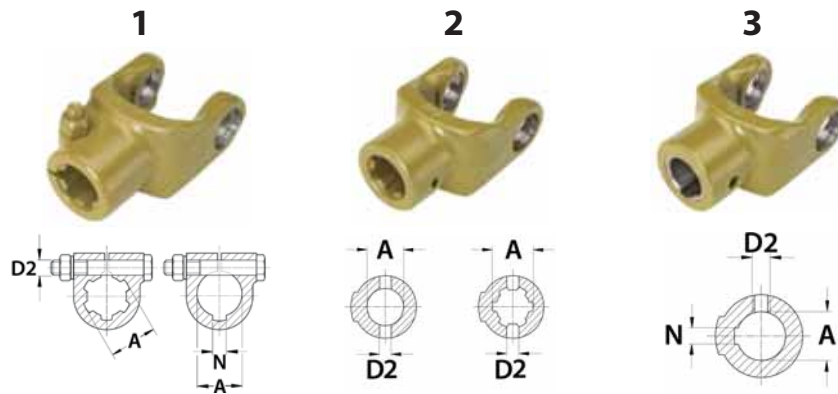
Nr	A	B	GKN	BEPCO
1	1.3/8" - 6	RG - 1b	1113298	B99091
2	1.3/8" - 6	RG - 2a	1113289	B99084
1	1.3/8" - 6	RG - S4	1113299	B99092
2	1.3/8" - 6	RG - S5	1113291	B99085

EXTERNAL YOKE



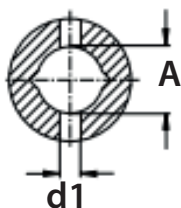
Nr	A	N	D2	GKN	BEPCO
1	1.3/8" - 6			1056699	P011403
1	1.3/8" - 21			1019516	P623502
1	1.3/4" - 6			1019520	P623511
1	1.3/4" - 20			1019522	B99962
2	1.3/8" - 6			1366782	B99394
2	1.3/8" - 21			1366784	B99395
2	1.3/4" - 6			1366790	B99398
2	1.3/4" - 20			1366792	B99399
3	1.3/8" - 6			1134750	B99481
3	1.3/8" - 21			1134751	B99482
4	1.3/8" - 6		12,5	1195017	B99271
4	1.3/8" - 21		12,5	1194064	B99269
4	1.3/4" - 6		15,8	1195020	P195020
4	1.3/4" - 20		15,8	1195022	B99272
5	1.3/8" - 6		M12 x 75	1319208	Q1179
5	1.3/8" - 21		M12 x 75	1320684	B99288
5	1.3/4" - 6		M16 x 85	1320685	B99289
5	1.3/4" - 20		M16 x 85	1331053	B99305
5	30	8	M12 x 75	1320686	B99290
5	35	10	M12 x 85	1320687	P621806
5	40	12	M12 x 85	1328519	B75099

EXTERNAL YOKE



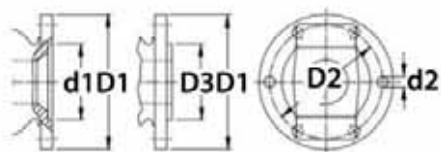
Nr	A	N	D2	GKN	BEPCO
1	35	10	M12 x 85	1332450	B99310
1	40	12	M12 x 85	1341493	B99329
2	35		13	1320688	B99291
2	40 x 36 x 20			1103802	B99022
3	30	8	M 12	1320694	B99292
3	35	10	M 12	1320695	B99984
3	40	12	M 12	1321910	B99987
3	45	14	M 12	1346064	B99340

INTERNAL YOKE



A	d1	GKN	BEPCO
1b	10	1019518	P011410
2a	10	1019519	P011413
S4	10	1356905	P011412
S5	10	1356906	P011414
40 x 36 x 20		1385106	B99452

YOKE WITH FLANGE



Nr holes	d1 x D1	d2 x D2	GKN	BEPCO
6	57 x 100	8,2 x 84	1023469	B98959
8	75 x 120	8,2 x 101,5	1023477	B78974

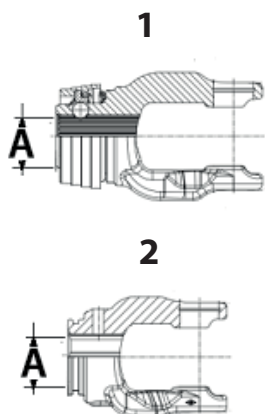
Nr holes	D3 x D1	d2 x D2	GKN	BEPCO
6	98 x 136	10,2 x 118	1325556	B99297
6	98 x 160	12,2 x 138	1320699	B93783

DOUBLE YOKE



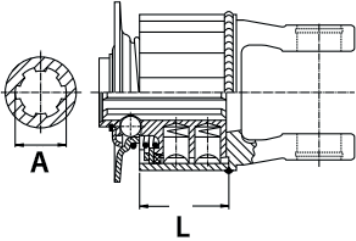
L	GKN	BEPCO
72	1186796	B99260
100	1023437	B93782

YOKE WITH RECESS



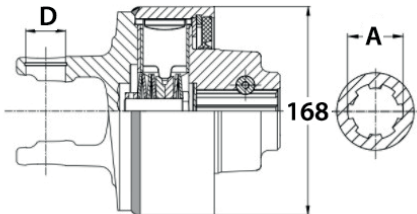
Nr	A	GKN	BEPCO
1	1.3/8" - 6	1147406	B99225
1	1.3/8" - 21	1139754	B99224
2	2a	1139750	B99222
2	S4	1139751	B99223

STAR CAM LIMITER
(SPARE PARTS: SEE PAGE 130)



Type	L	daNm	A	GKN	BEPCO
K33B	74	90	1.3/8" - 6	1362493	B99371
K34B	93	120	1.3/8" - 6	1357920	B99359
K35B	112	150	1.3/8" - 6	1362941	B99372

CAM LIMITER K64/22
(SPARE PARTS: SEE PAGE 131)



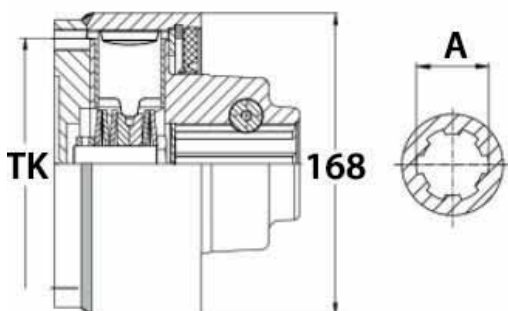
A	daNm	GKN	BEPCO
1.3/8" - 6	180	1690089	B99453
1.3/4" - 6	250	1135330	B99188

CAM LIMITER EK64/22

(SPARE PARTS: SEE PAGE 131)



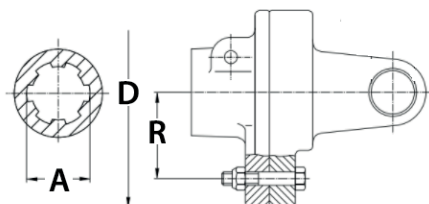
Nr	Series	TK	GKN	BEPCO
2	W2400	118	1325556	B99297
2	W2400	138	1320699	B93783
2	W2500	138	1317807	B57394
2	W2600	138	1334661	B97310



Nr	TK	A	daNm	GKN	BEPCO
1	118	1.3/8" - 6	140	1135489	B99190
1	138	1.3/8" - 6	165	1693383	B99469
1	138	1.3/8" - 6	200	1135363	B99189
1	138	1.3/4" - 6	165	1134364	B99174
1	138	1.3/4" - 6	200	1129931	B99154
1	138	1.3/4" - 6	250	1129870	B99153
1	138	1.3/4" - 20	250	1129869	B99152

SHEAR BOLT CLUTCH

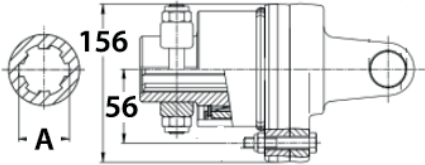
(SPARE PARTS: SEE PAGE 133)



A	D	R	daNm	GKN	BEPCO
1.3/8" - 6	156	56	186	1353639	B99352
1.3/8" - 6	156	64	213	1327808	B99298
1.3/8" - 6	156	48	250	1338998	B99327
1.3/8" - 6	156	56	292	1335823	B99321
1.3/8" - 21	156	56	292	1161735	B99231
1.3/4" - 6	156	48	250	1165950	B99232
40 mm	156	48	250	1184115	B99257

SHEAR BOLT CLUTCH WITH OVER RUN CLUTCH

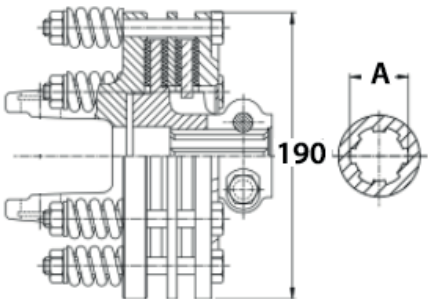
(SPARE PARTS: SEE PAGE 134)



Rot.	A	daNm	GKN	BEPCO
-->	1.3/8" - 6	292	1193242	B99265
-->	1.3/4" - 6	292	1178329	B99255

FRICITION CLUTCH K90/4

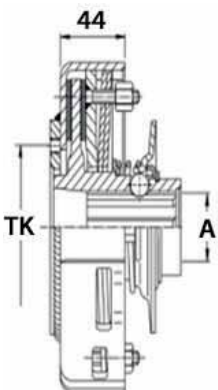
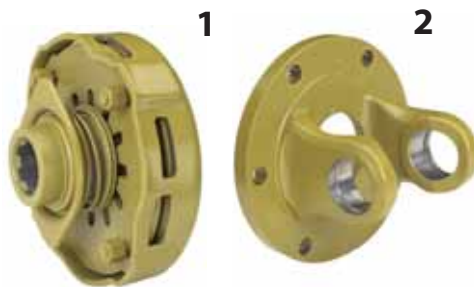
(SPARE PARTS: SEE PAGE 135)



A	daNm	GKN	BEPCO
1.3/8" - 6	140	1342373	B99335
1.3/8" - 21	100	1342395	B99338
1.3/4" - 6	120	1341883	B99334

FRICITION CLUTCH EK92

(SPARE PARTS: SEE PAGE 136)

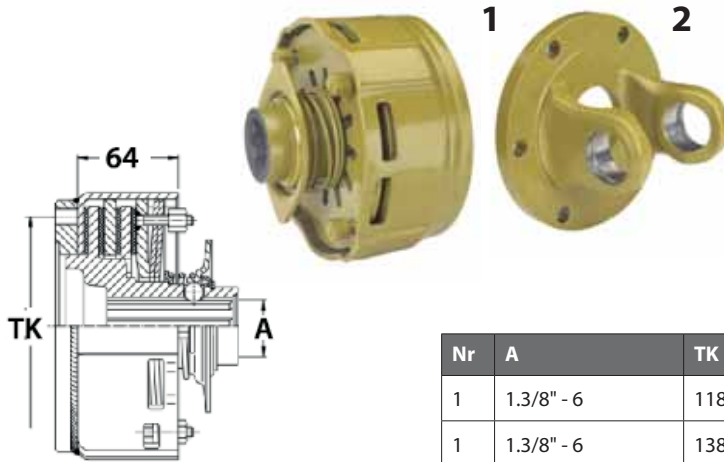


Nr	Series	GKN	BEPCO
2	W2300	1041321	B98978
2	W2400	1023469	B98959

Nr	A	TK	Nr holes	daNm	GKN	BEPCO
1	1.3/8" - 6	84	6	90	1053385	B99006

FRICION CLUTCH EK92/4

(SPARE PARTS: SEE PAGE 137)

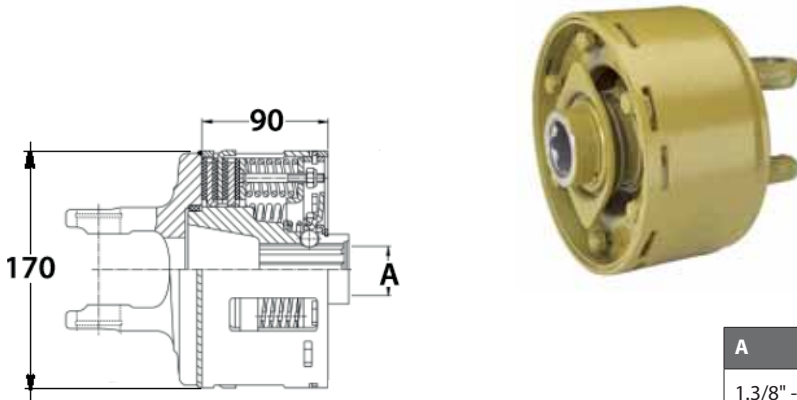


Nr	Series	TK	GKN	BEPCO
2	W2300	118	1082883	B99008
2	W2400	118	1325556	B99297
2	W2400	138	1320699	B93783

Nr	A	TK	Nr holes	daNm	GKN	BEPCO
1	1.3/8" - 6	118	6	135	1053352	B99004
1	1.3/8" - 6	138	6	150	1053357	B99005

FRICION CLUTCH K96/4

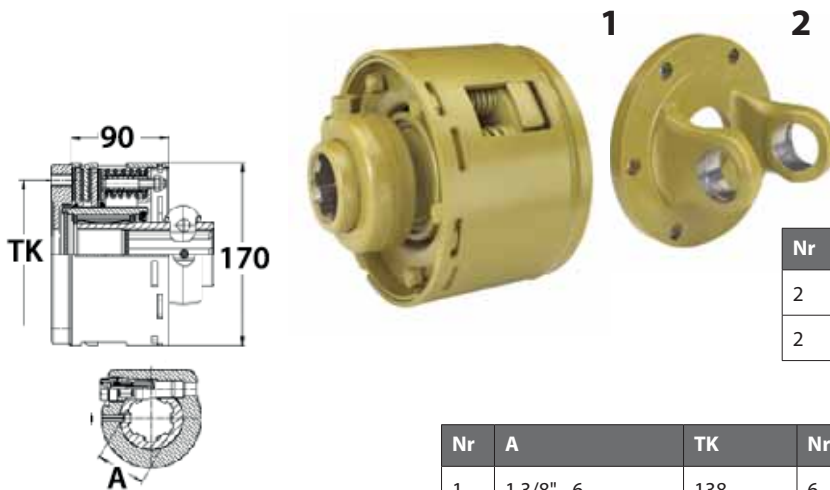
(SPARE PARTS: SEE PAGE 138)



A	daNm	GKN	BEPCO
1.3/8" - 6	150	1101739	B99016

FRICION CLUTCH FK96/4

(SPARE PARTS: SEE PAGE 139)

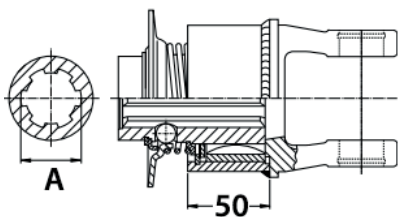


Nr	Series	TK	GKN	BEPCO
2	W2400	138	1320699	B93783
2	W2500	138	1317807	B57934

Nr	A	TK	Nr holes	daNm	GKN	BEPCO
1	1.3/8" - 6	138	6	150	1101666	B99015
1	1.3/4" - 6	138	6	210	1102854	B99019

OVER RUN CLUTCH

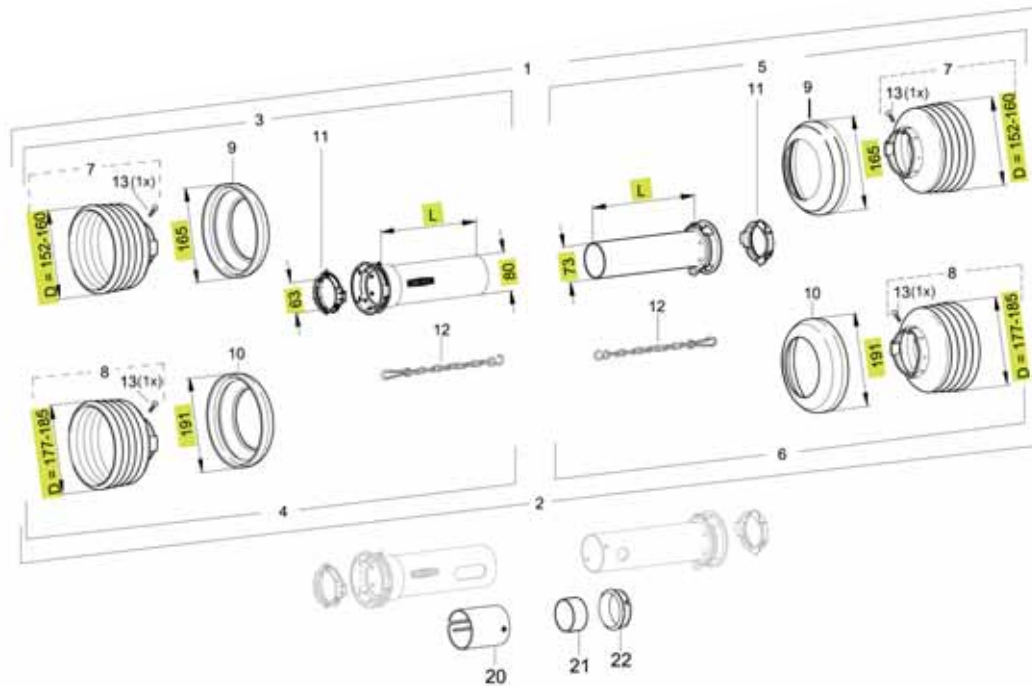
(SPARE PARTS: SEE PAGE 140)



Rot.	A	Lock	GKN	BEPCO
-->	1.3/8" - 6	ZV	1367095	B99412
-->	1.3/8" - 21	ZV	1367685	B99415
-->	1.3/4" - 6	KB	1367687	B99417
-->	1.3/4" - 6	AS	1172748	B75102
-->	1.3/4" - 20	KB	1367689	B99418
<--	1.3/8" - 6	ZV	1365660	B76997
<--	1.3/8" - 21	ZV	1367686	B99416



SAFETY GUARD SD25



Nr	L	GKN	BEPCO
1	1000 mm	1368509	P110108
3	1000 mm	1368518	B99424
3	1500 mm	1368761	B99429
4	1500 mm	1375633	B99436
5	1000 mm	1368516	B99423
5	1500 mm	1368519	P852507
6	1500 mm	1375632	B99435
11		1087276	P087276
12	400 mm	1044321	P604321
12	600 mm	1382078	P682078

SERIES W2500



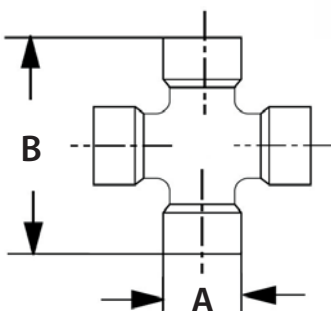
LZ	A	B	GKN	BEPCO
710	1.3/8" - 6	1.3/8" - 6	1113112	B99054
860	1.3/8" - 6	1.3/8" - 6	1113113	P691182
1010	1.3/8" - 6	1.3/8" - 6	1113114	B99055
1210	1.3/8" - 6	1.3/8" - 6	1113115	P691176

SERIES W2500



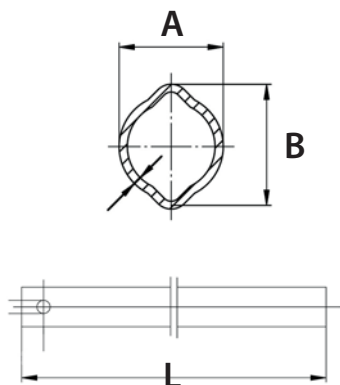
LZ	GKN	BEPCO
1210	1113132	B99059

UNIVERSAL JOINT



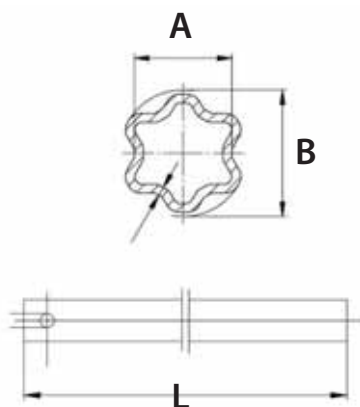
Mod	A	B	GKN	BEPCO
1	36	89	1312209	P623600
2	36	89	1116405	P010159
3	36	89	1122079	P010158

LEMON TUBE



Type	L	A	B	GKN	BEPCO
1b	1000	39,5	49	1081953	P081953
1b	2900	39,5	49	1045634	P012224
2a	1000	48	57,5	1081684	P081953
2a	2900	48	57,5	1045636	P012232

STAR TUBE



Type	L	A	B	GKN	BEPCO
S4	1000	37	51	1697203	P697203
S4	1400	37	51	1699742	B97735
S4	2900	37	51	1045649	P112240
S5	1000	47	61	1017660	P017660
S5	1400	47	61	1134935	P134935
S5	2900	47	61	1045639	P012246

COMPLETE JOINT



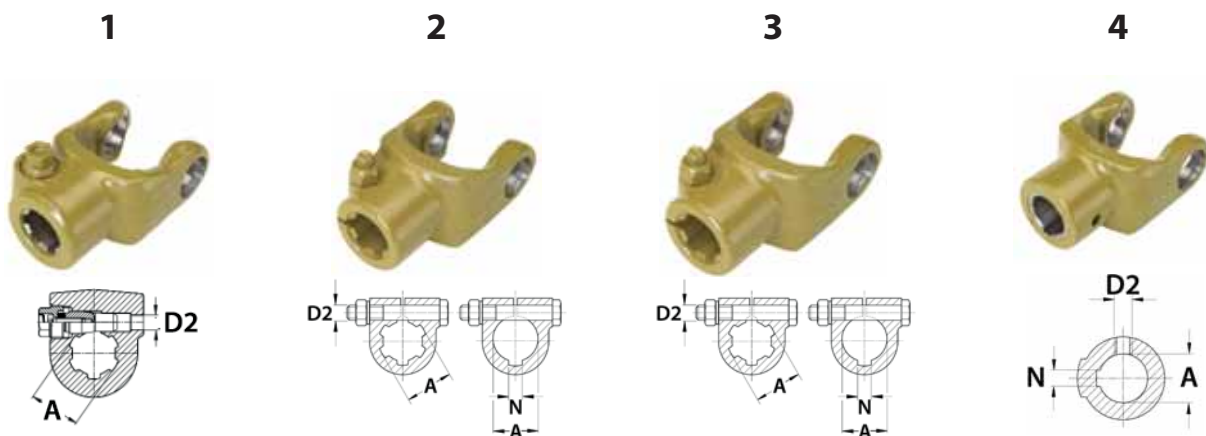
Nr	A	B	GKN	BEPCO
1	1.3/8" - 6	RG - S4	1113300	B99093
2	1.3/8" - 6	RG - S5	1113293	B99086

EXTERNAL YOKE



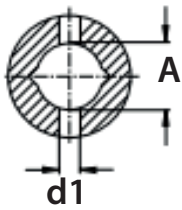
Nr	A	GKN	BEPCO
1	1.3/8" - 6	1097136	P623601
1	1.3/8" - 21	1097138	P623602
1	1.3/4" - 6	1097313	P623613
1	1.3/4" - 20	1097315	B99989
2	1.3/8" - 6	1362428	B99367
2	1.3/8" - 21	1362430	B99368
2	1.3/4" - 6	1362432	B99369
2	1.3/4" - 20	1362434	B99370
3	1.3/8" - 6	1366798	B99400
3	1.3/8" - 21	1366800	B99401
3	1.3/4" - 6	1366806	P366806
3	1.3/4" - 20	1366808	P366808

EXTERNAL YOKE



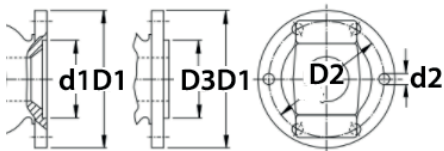
Nr	A	N	D2	GKN	BEPCO
1	1.3/8" - 6		12,5	1195118	B99275
1	1.3/8" - 21		12,5	1194063	B99268
1	1.3/4" - 6		15,8	1195097	P195097
1	1.3/4" - 20		15,8	1195099	B99273
2	1.3/8" - 6		M12 x 75	1319311	B99285
2	1.3/8" - 21		M12 x 75	1318384	B99284
2	1.3/4" - 6		M16 x 90	1320790	B99293
2	1.3/4" - 20		M16 x 90	1325027	B99295
2	35	10	M12 x 80	1314921	P621814
2	40	12	M12 x 85	1339791	B66351
2	45	14	M12 x 85	1170491	B76717
3	40	12	M12 x 85	1319309	B50541
3	45	14	M12 x 85	1338923	B99325
4	35	10	M 14	1320796	B99294
4	40	12	M 14	1335439	B99314
4	45	14	M 14	1332916	B99311

INTERNAL YOKE



A	d1	GKN	BEPCO
1b	10	1097120	P623609
2a	10	1097121	P623611
S4	10	1097133	P623610
S5	10	1097140	P623612
36 x 42 x 8		1377678	B99448
40 x 36 x 20		1174039	B99243

YOKE WITH FLANGE

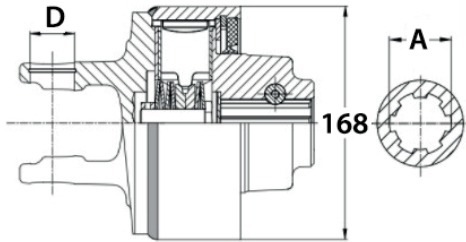


Nr holes	d1 x D1	d2 x D2	GKN	BEPCO
6	81 x 190	13,5 x 165	1330588	B99302
8	75 x 120	8,2 x 101,5	1023979	B98960
8	90 x 150	10,2 x 130	1331038	B99304

Nr holes	d1 x D1	d2 x D2	GKN	BEPCO
6	98 x 160	12,2 x 138	1317807	B57934

CAM LIMITER K64/22

(SPARE PARTS: SEE PAGE 131)



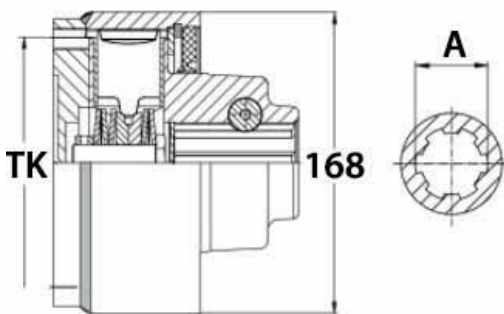
A	daNm	GKN	BEPCO
1.3/4" - 6	200	1134445	B99175
1.3/4" - 6	250	1690109	B99454
1.3/4" - 20	200	1690114	B99455

CAM LIMITER EK64/22

(SPARE PARTS: SEE PAGE 131)



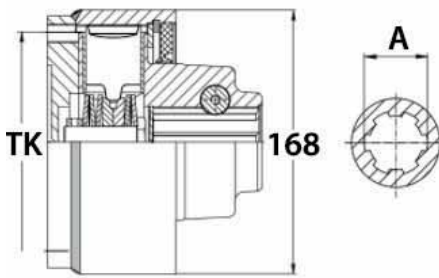
Nr	Series	TK	GKN	BEPCO
2	W2400	118	1325556	B99297
2	W2400	138	1320699	B93783
2	W2500	138	1317807	B57394
2	W2600	138	1334661	B97310



Nr	TK	A	daNm	GKN	BEPCO
1	118	1.3/8" - 6	140	1135489	B99190
1	138	1.3/8" - 6	165	1693383	B99469
1	138	1.3/8" - 6	200	1135363	B99189
1	138	1.3/4" - 6	165	1134364	B99174
1	138	1.3/4" - 6	200	1129931	B99154
1	138	1.3/4" - 6	250	1129870	B99153
1	138	1.3/4" - 20	250	1129869	B99152

CAM LIMITER EK64/24

(SPARE PARTS: SEE PAGE 132)

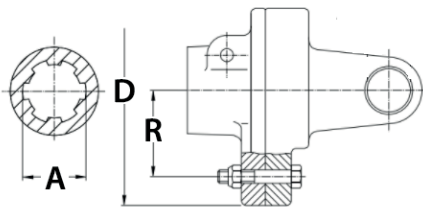


Nr	Series	TK	GKN	BEPCO
2	W2500	138	1317807	B57394
2	W2600	138	1334661	B97310
2	W2700	138	1170049	B99235

Nr	TK	A	daNm	GKN	BEPCO
1	138	1.3/4" - 6	380	1136029	B99192
1	138	1.3/4" - 20	400	1138772	B99218

SHEAR BOLT CLUTCH

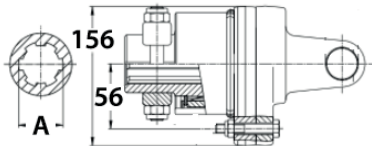
(SPARE PARTS: SEE PAGE 133)



A	D	R	daNm	GKN	BEPCO
1.3/8" - 6	156	60	313	1332014	B99308
1.3/8" - 6	156	48	360	1345224	B99339
1.3/8" - 6	156	56	292	1355272	B99356
1.3/8" - 21	156	48	250	1332013	B99307
1.3/4" - 6	156	64	333	1349785	B99345
1.3/4" - 20	156	64	480	1195598	B99277

SHEAR BOLT CLUTCH WITH OVER RUN CLUTCH

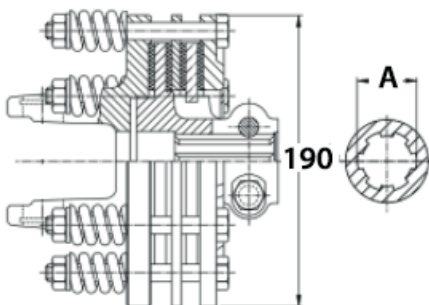
(SPARE PARTS: SEE PAGE 134)



rot.	A	daNm	GKN	BEPCO
-->	1.3/4" - 6	420	1115683	B57158
-->	1.3/4" - 20	480	1107412	B99029

FRICITION CLUTCH K90/4

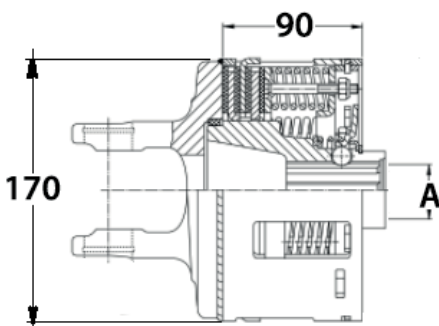
(SPARE PARTS: SEE PAGE 135)



A	daNm	GKN	BEPCO
1.3/8" - 6	150	1333268	B99312
1.3/4" - 6	150	1342376	B99336
1.3/4" - 20	140	1342377	B99337

FRICITION CLUTCH K96/4

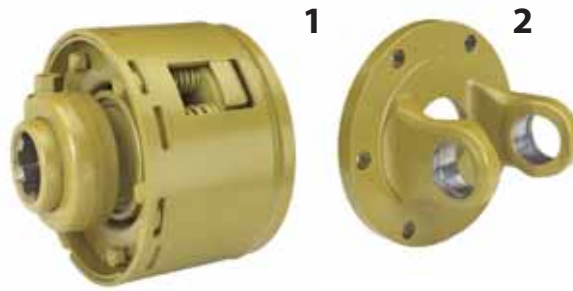
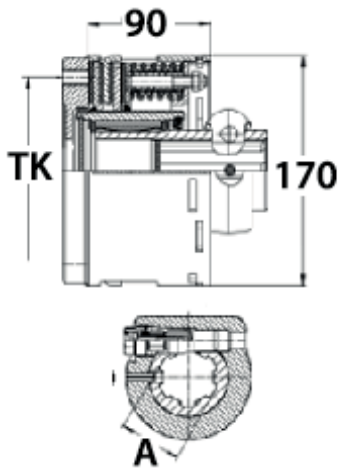
(SPARE PARTS: SEE PAGE 138)



A	daNm	GKN	BEPCO
1.3/4" - 6	210	1101743	B99017

FRICTION CLUTCH EFK96/4

(SPARE PARTS: SEE PAGE 139)

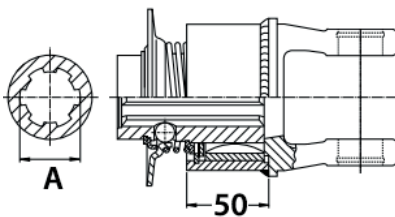


Nr	Series	TK	GKN	BEPCO
2	W2400	138	1320699	B93783
2	W2500	138	1317807	B57934

Nr	A	TK	Nr holes	daNm	GKN	BEPCO
1	1.3/8" - 6	138	6	150	1101666	B99015
1	1.3/4" - 6	138	6	210	1102854	B99019

OVER RUN CLUTCH F5/1

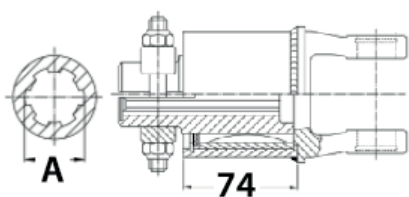
(SPARE PARTS: SEE PAGE 140)



Rot.	A	Lock	GKN	BEPCO
-->	1.3/8" - 6	ZV	1350867	B99346
-->	1.3/4" - 6	AS	1112225	B99035
-->	1.3/4" - 6	KB	1365421	B93749
-->	1.3/4" - 20	KB	1365422	B99380
<--	1.3/8" - 6	ZV	1352539	B99351
<--	1.3/4" - 6	ZV	1190341	B99262

OVER RUN CLUTCH F5/2

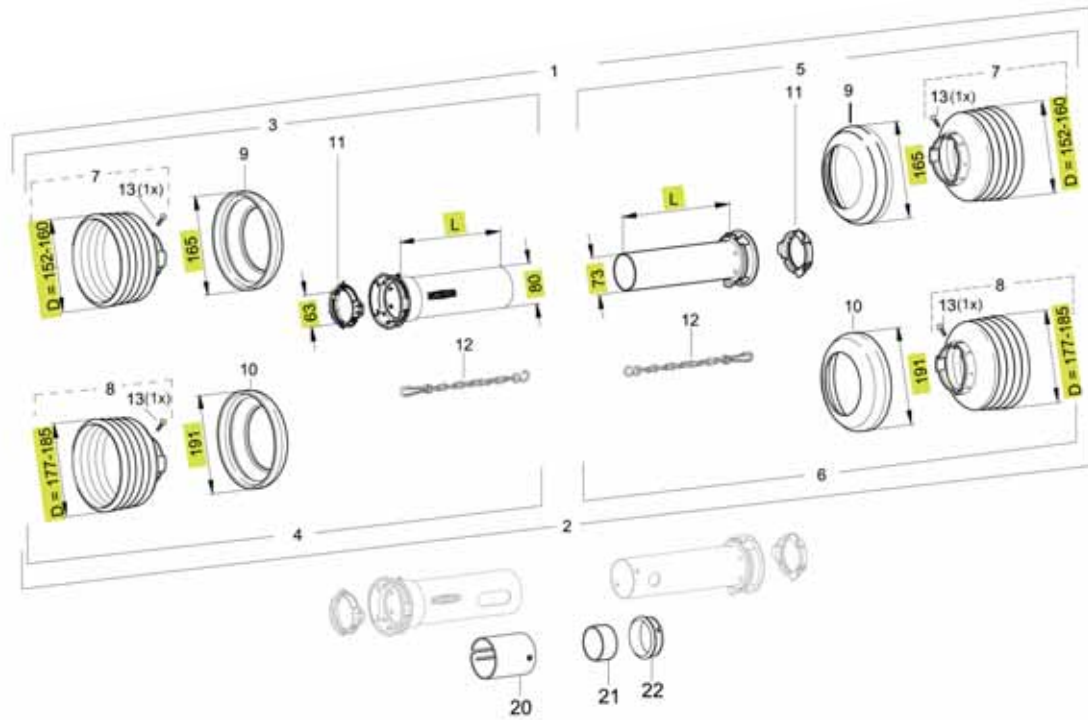
(SPARE PARTS: SEE PAGE 141)



Rot.	A	Lock	GKN	BEPCO
-->	1.3/4" - 6	CC	1112309	B99036
-->	1.3/4" - 20	CC	1196670	B99279



SERIES W2500 - SAFETY GUARD SD25



Nr	L	GKN	BEPCO
1	1000 mm	1368509	P110108
3	1000 mm	1368518	B99424
3	1500 mm	1368761	B99429
4	1500 mm	1375633	B99436
5	1000 mm	1368516	B99423
5	1500 mm	1368519	P852507
6	1500 mm	1375632	B99435
11		1087276	P087276
12	400 mm	1044321	P604321
12	600 mm	1382078	P682078

SERIES W2600



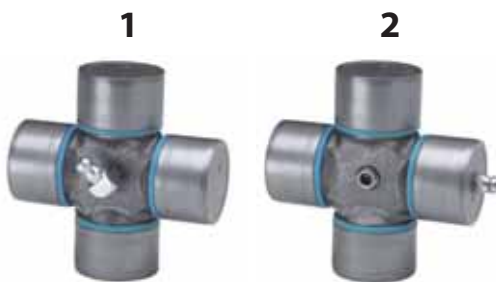
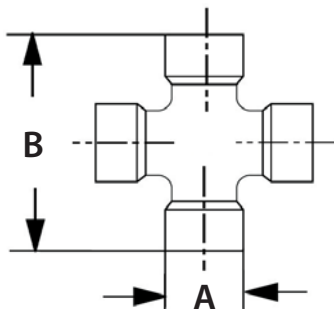
LZ	A	B	GKN	BEPCO
1010	1.3/8" - 6	1.3/8" - 6	1113117	B99056
1210	1.3/8" - 6	1.3/8" - 6	1113118	P691502

SERIES W2600 - TUBE S4/S5



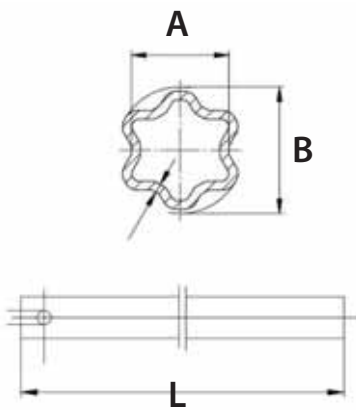
LZ	GKN	BEPCO
1210	1113134	B97308

UNIVERSAL JOINT



Mod	A	B	GKN	BEPCO
1	42	104	1121146	P622610
2	42	104	1116496	P010161

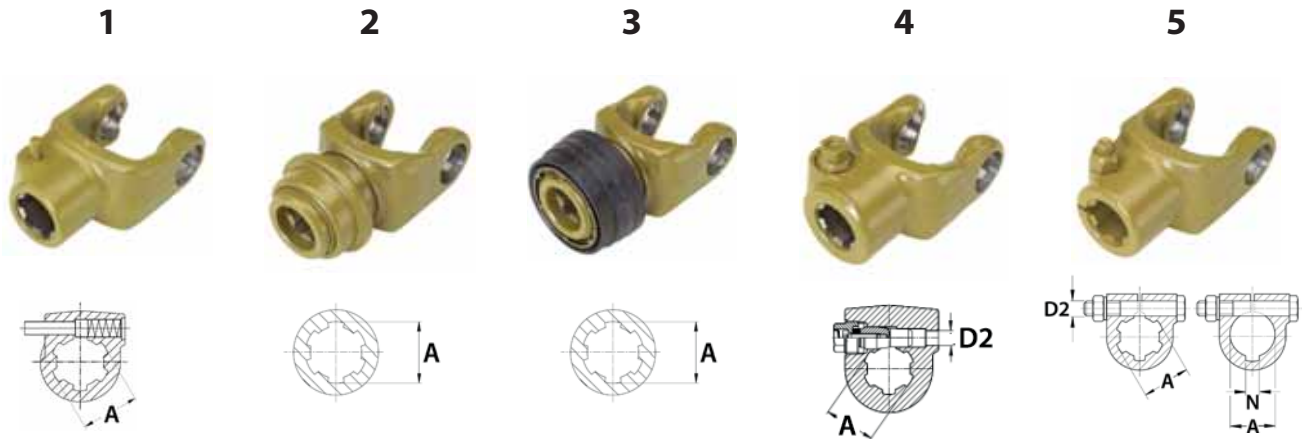
STARTUBE



Type	L	A	B	GKN	BEPCO
S5	1000	47	61	1017660	P017660
S5	1400	47	61	1134935	P134935
S5	2900	47	61	1045639	P012246
S5H	1400	47	61	1135889	P135889
S6	1000	57,5	71,5	1693668	B97733
S6	1400	57,5	71,5	1123390	P123390
S6	2900	57,5	71,5	1185813	B75455

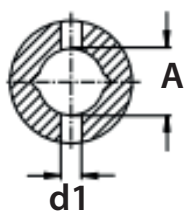


EXTERNAL YOKE



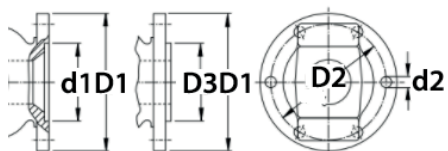
Nr	A	D2	GKN	BEPCO
1	1.3/8" - 6		1320801	P622611
1	1.3/8" - 21		1320802	B99985
1	1.3/4" - 6		1320803	B99986
1	1.3/4" - 20		1320804	P261802
2	1.3/8" - 6		1362419	B97309
2	1.3/8" - 21		1362421	B99365
2	1.3/4" - 6		1362423	B99366
2	1.3/4" - 20		1362436	B97367
3	1.3/8" - 6		1365814	B99390
3	1.3/8" - 21		1365816	B99391
3	1.3/4" - 6		1365818	P365818
3	1.3/4" - 20		1366780	P366780
4	1.3/4" - 6	15,8	1195124	P195124
4	1.3/4" - 20	15,8	1195126	B99276
5	1.3/4" - 6	M16 x 90	1329051	B65827
5	1.3/4" - 20	M16 x 90	1329053	B99301

INTERNAL YOKE



A	d1	GKN	BEPCO
S4	10	1320700	P622623
S5	10	1320701	P622624
S5H	13	1168279	B99234
S6	13	1168278	B99233

YOKE WITH FLANGE



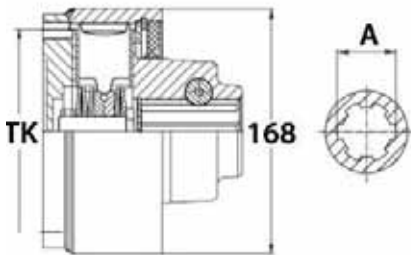
Nr holes	D3 x D1	d2 x D2	GKN	BEPCO
12	98 x 160	12,2 x 138	1334661	B97310

CAM LIMITER EK64/22

(SPARE PARTS: SEE PAGE 131)



Nr	Series	TK	GKN	BEPCO
2	W2500	138	1317807	B57394
2	W2600	138	1334661	B97310
2	W2700	138	1170049	B99235



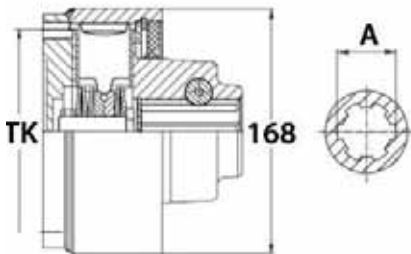
Nr	TK	A	daNm	GKN	BEPCO
1	138	1.3/8" - 6	165	1693383	B99469
1	138	1.3/8" - 6	200	1135363	B99189
1	138	1.3/4" - 6	165	1134364	B99174
1	138	1.3/4" - 6	200	1129931	B99154
1	138	1.3/4" - 6	250	1129870	B99153
1	138	1.3/4" - 20	250	1129869	B99152

CAM LIMITER EK64/24

(SPARE PARTS: SEE PAGE 132)



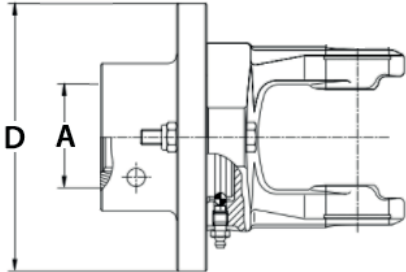
Nr	Series	TK	GKN	BEPCO
2	W2500	138	1317807	B57394
2	W2600	138	1334661	B97310
2	W2700	138	1170049	B99235



Nr	TK	A	daNm	GKN	BEPCO
1	138	1.3/4" - 6	380	1136029	B99192
1	138	1.3/4" - 20	400	1138772	B99218

SHEAR BOLT CLUTCH

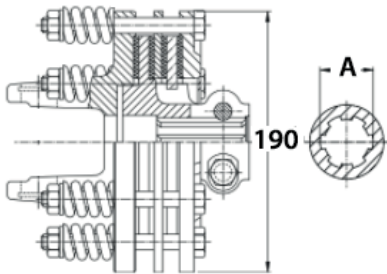
(SPARE PARTS: SEE PAGE 133)



A	D	daNm	GKN	BEPCO
1.3/4" - 6	180	390	1354298	B99355
1.3/4" - 20	160	480	1346424	B99342

FRICTION CLUTCH K90/4

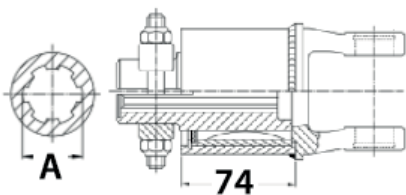
(SPARE PARTS: SEE PAGE 135)



A	daNm	GKN	BEPCO
1.3/4" - 20	140	1333297	B99313

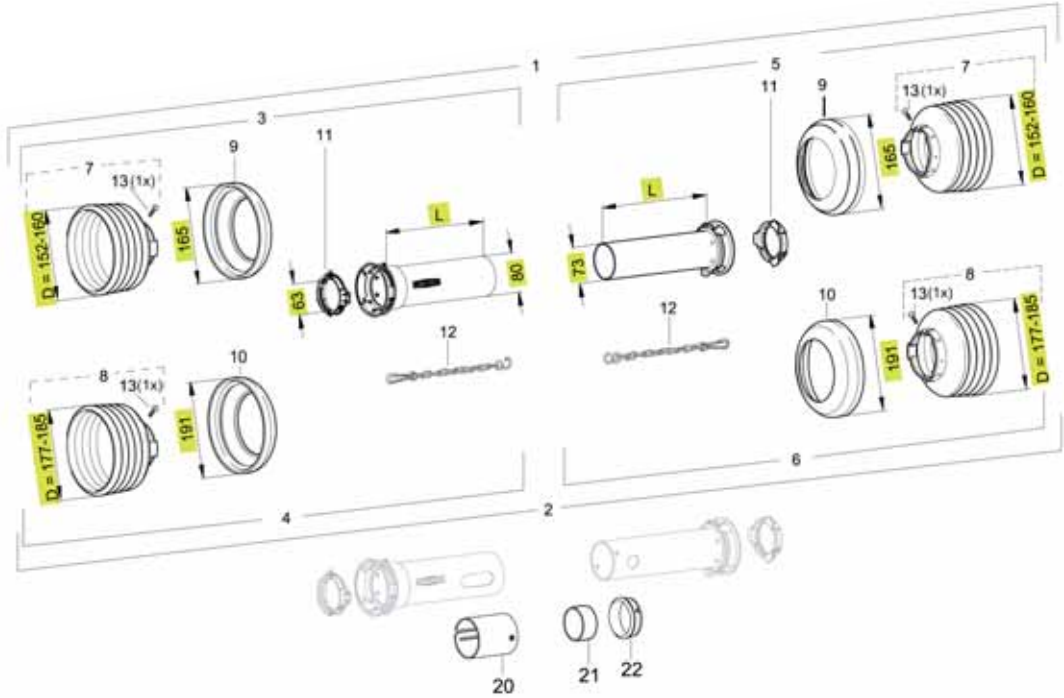
OVER RUN CLUTCH F5/2

(SPARE PARTS: SEE PAGE 141)



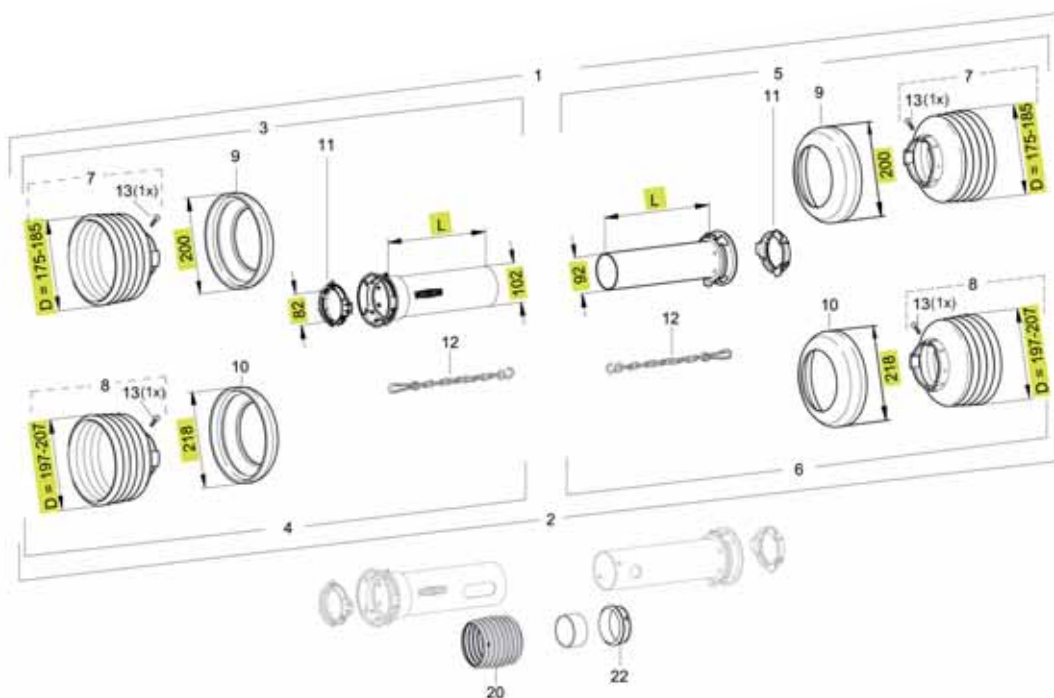
rot.	A	Lock	GKN	BEPCO
-->	1.3/8" - 6	CC	1104264	B99023
-->	1.3/8" - 21	ZV	1172694	B57035
-->	1.3/4" - 6	CC	1106281	B99028
-->	1.3/4" - 20	CC	1106127	B99026

SAFETY GUARD SD25



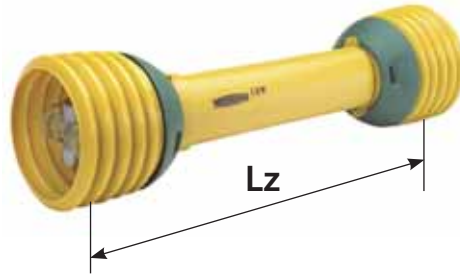
Nr	L	GKN	BEPCO
1	1000 mm	1368509	P110108
3	1000 mm	1368518	B99424
3	1500 mm	1368761	B99429
4	1500 mm	1375633	B99436
5	1000 mm	1368516	B99423
5	1500 mm	1368519	P852507
6	1500 mm	1375632	B99435
11		1087276	P087276
12	400 mm	1044321	P604321
12	600 mm	1382078	P682078

SERIES W2600 - SAFETY GUARD SD35



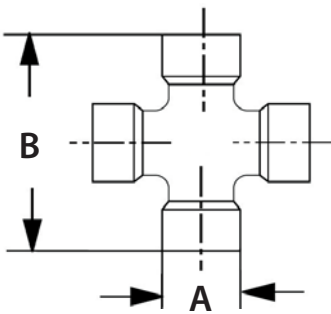
Nr	L	GKN	BEPCO
1	1000 mm	1368781	P010109
3	1000 mm	1368786	B99430
3	1500 mm	1368788	B99431
5	1000 mm	1368791	B99432
5	1500 mm	1368793	B99433
11		1342315	P342315
12	400 mm	1044321	P604321
12	600 mm	1382078	P682078

SERIES P400



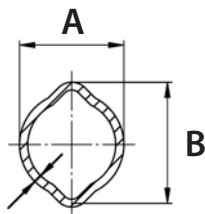
LZ	Tube	Safety Guard	GKN	BEPCO
1210	1bH/2a	PG25	1113135	B99060
1210	S4LH/S5	PG25	1113137	B99061

UNIVERSAL JOINT



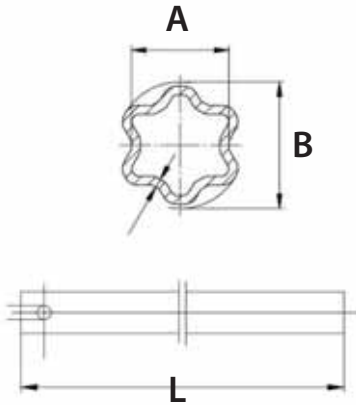
Mod	A	B	GKN	BEPCO
1	32	76	1122078	P010157

LEMON TUBE



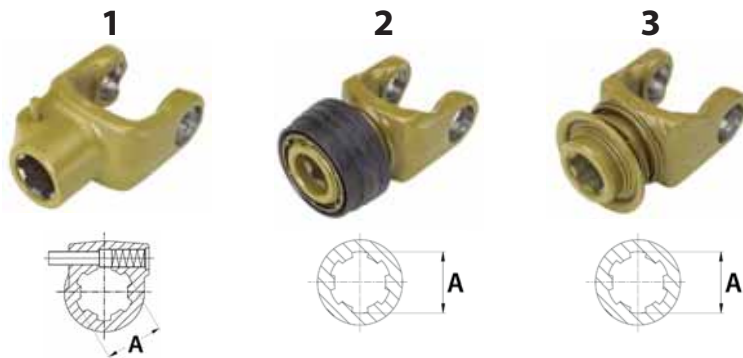
Type	L	A	B	GKN	BEPCO
1bH	1000	39,5	49	1087407	B97730
2a	1000	48	57,5	1081684	P081953
2a	2900	48	57,5	1045636	P012232

STAR TUBE



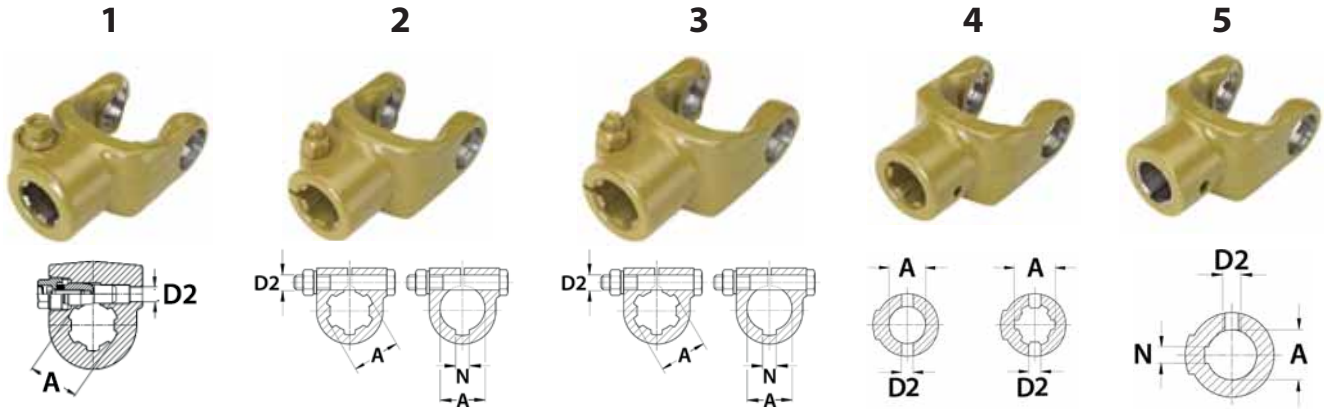
Type	L	A	B	GKN	BEPCO
S4LH	1000	37	51	1134941	B97731
S5	1000	47	61	1017660	P017660
S5	1400	47	61	1134935	P134935
S5	2900	47	61	1045639	P012246

EXTERNAL YOKE



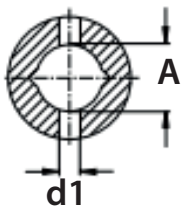
Nr	A	GKN	BEPCO
1	1.3/8" - 6	1056699	P011403
1	1.3/8" - 21	1019516	P623502
1	1.3/4" - 6	1019520	P623511
1	1.3/4" - 20	1019522	B99962
2	1.3/8" - 6	1366782	B99394
2	1.3/8" - 21	1366784	B99395
2	1.3/4" - 6	1366790	B99398
2	1.3/4" - 20	1366792	B99399
3	1.3/8" - 6	1134750	B99481
3	1.3/8" - 21	1134751	B99482

EXTERNAL YOKE



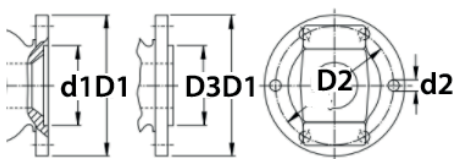
Nr	A	N	D2	GKN	BEPCO	
1	1.3/8" - 6		12,5	1195017	B99271	
1	1.3/8" - 21		12,5	1194064	B99269	
1	1.3/4" - 6		15,8	1195020	P195020	
1	1.3/4" - 20		15,8	1195022	B99272	
2	1.3/8" - 6		M12 x 75	1319208	Q1179	
2	1.3/8" - 21		M12 x 75	1320684	B99288	
2	1.3/4" - 6		M16 x 85	1320685	B99289	
2	1.3/4" - 20		M16 x 85	1331053	B99305	
2	30		8	M12 x 75	1320686	B99290
2	35		10	M12 x 85	1320687	P621806
2	40	12	M12 x 85	1328519	B75099	
3	35	10	M12 x 85	1332450	B99310	
3	40	12	M12 x 85	1341493	B99329	
4	35		13	1320688	B99291	
4	40x36x20			1103802	B99022	
5	30	8	M 12	1320694	B99292	
5	35	10	M 12	1320695	B99984	
5	40	12	M 12	1321910	B99987	
5	45	14	M 12	1346064	B99340	

INTERNAL YOKE



A	d1	GKN	BEPCO
1b	10	1120715	B99133
2a	10	1120717	B99135
S4	10	1120716	B99134
S5	10	1119564	B99127

YOKE WITH FLANGE



Nr holes	d1 x D1	d2 x D2	GKN	BEPCO
6	57 x 100	8,2 x 84	1023469	B98959
8	75 x 120	8,2 x 101,5	1023477	B78974

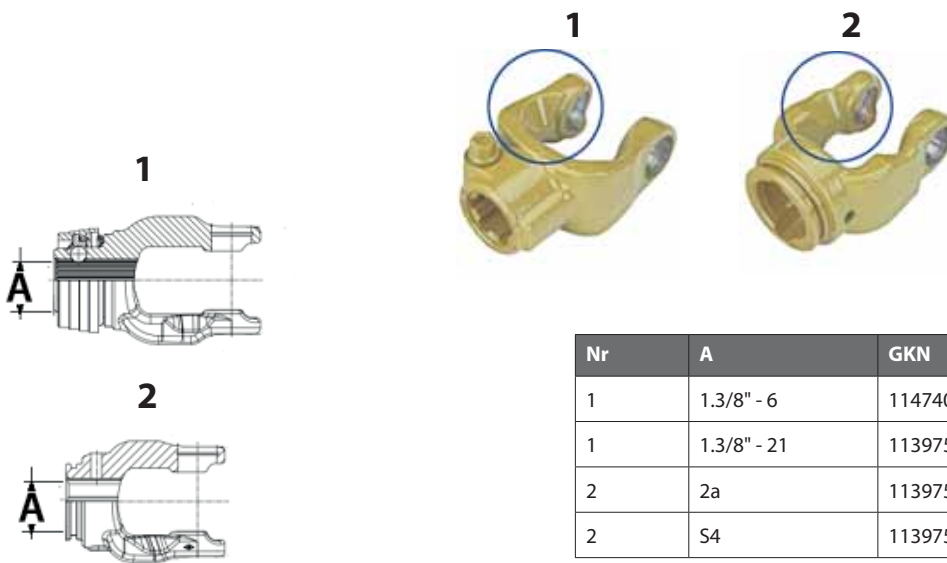
Nr holes	D3 x D1	d2 x D2	GKN	BEPCO
6	98 x 136	10,2 x 118	1325556	B99297
6	98 x 160	12,2 x 138	1320699	B93783

DOUBLE YOKE



L	GKN	BEPCO
72	1186796	B99260
100	1023437	B93782

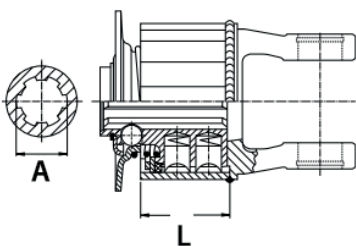
YOKE WITH RECESS



Nr	A	GKN	BEPCO
1	1.3/8" - 6	1147406	B99225
1	1.3/8" - 21	1139754	B99224
2	2a	1139750	B99222
2	S4	1139751	B99223

STAR CAM LIMITER

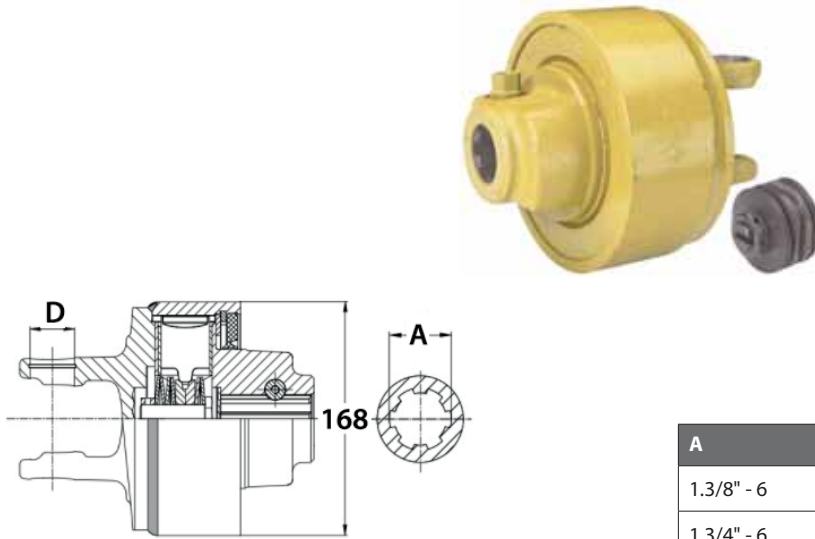
(SPARE PARTS: SEE PAGE 130)



Type	L	daNm	A	GKN	BEPCO
K33B	74	90	1.3/8" - 6	1362493	B99371
K34B	93	120	1.3/8" - 6	1357920	B99359
K35B	112	150	1.3/8" - 6	1362941	B99372

CAM LIMITER K64/22

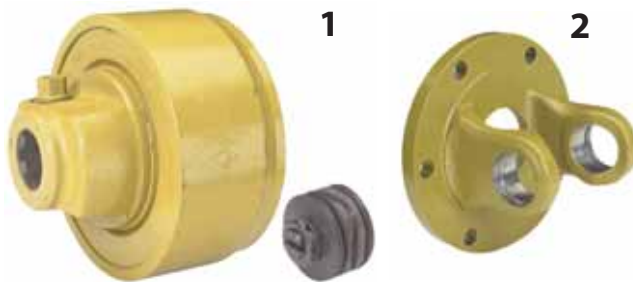
(SPARE PARTS: SEE PAGE 131)



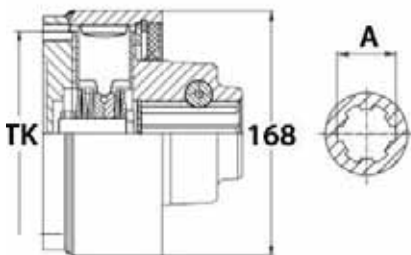
A	daNm	GKN	BEPCO
1.3/8" - 6	180	1690089	B99453
1.3/4" - 6	250	1135330	B99188

CAM LIMITER EK64/22

(SPARE PARTS: SEE PAGE 131)

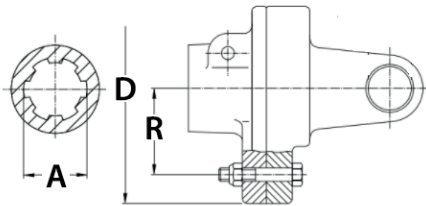


Nr	Series	TK	GKN	BEPCO
2	W2400	118	1325556	B99297
2	W2400	138	1320699	B993783
2	W2500	138	1317807	B57394
2	W2600	138	1334661	B97310



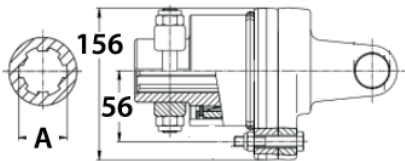
Nr	TK	A	daNm	GKN	BEPCO
1	118	1.3/8" - 6	140	1135489	B99190
1	138	1.3/8" - 6	165	1693383	B99469
1	138	1.3/8" - 6	200	1135363	B99189
1	138	1.3/4" - 6	165	1134364	B99174
1	138	1.3/4" - 6	200	1129931	B99154
1	138	1.3/4" - 6	250	1129870	B99153
1	138	1.3/4" - 20	250	1129869	B99152

SHEAR BOLT CLUTCH
(SPARE PARTS: SEE PAGE 133)



A	D	R	daNm	GKN	BEPCO
1.3/8" - 6	156	56	186	1353639	B99352
1.3/8" - 6	156	64	213	1327808	B99298
1.3/8" - 6	156	48	250	1338998	B99327
1.3/8" - 6	156	56	292	1335823	B99321
1.3/8" - 21	156	56	292	1161735	B99231
1.3/4" - 6	156	48	250	1165950	B99232
40 mm	156	48	250	1184115	B99257

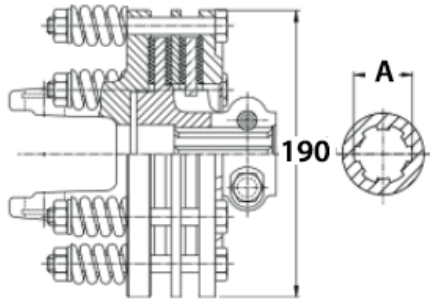
SHEAR BOLT CLUTCH WITH OVER RUN CLUTCH
(SPARE PARTS: SEE PAGE 134)



Rot.	A	daNm	GKN	BEPCO
-->	1.3/8" - 6	292	1193242	B99265
-->	1.3/4" - 6	292	1178329	B99255

FRICITION CLUTCH K90/4

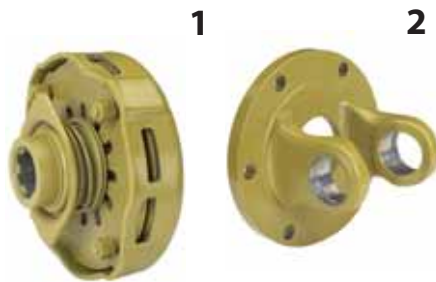
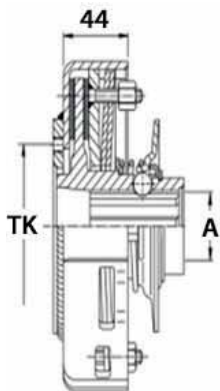
(SPARE PARTS: SEE PAGE 135)



A	daNm	GKN	BEPCO
1.3/8" - 6	140	1342373	B99335
1.3/8" - 21	100	1342395	B99338
1.3/4" - 6	120	1341883	B99334

FRICITION CLUTCH EK92

(SPARE PARTS: SEE PAGE 136)

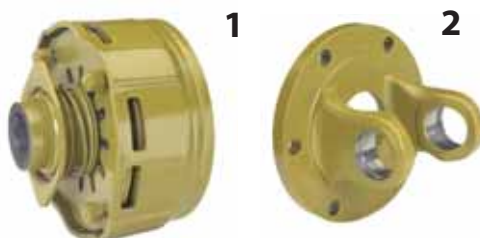
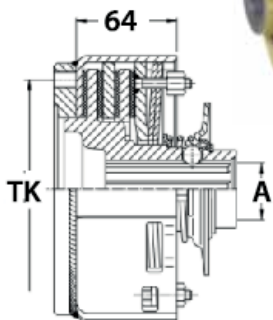


Nr	Series	GKN	BEPCO
2	W2300	1041321	B98978
2	W2400	1023469	B98959

Nr	A	TK	Nr holes	daNm	GKN	BEPCO
1	1.3/8" - 6	84	6	90	1053385	B99006

FRICITION CLUTCH EK92/4

(SPARE PARTS: SEE PAGE 137)

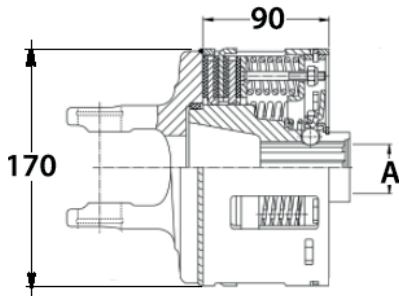


Nr	Series	TK	GKN	BEPCO
2	W2300	118	1082883	B99008
2	W2400	118	1325556	B99297
2	W2400	138	1320699	B93783

Nr	A	TK	Nr holes	daNm	GKN	BEPCO
1	1.3/8" - 6	118	6	135	1053352	B99004
1	1.3/8" - 6	138	6	150	1053357	B99005

FRICION CLUTCH K96/4

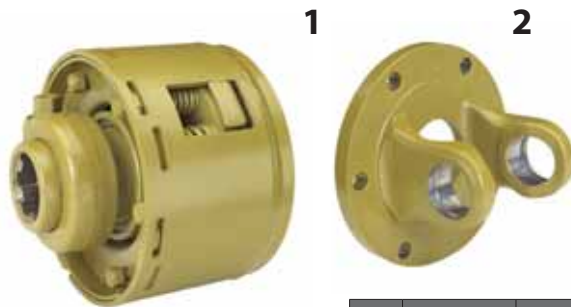
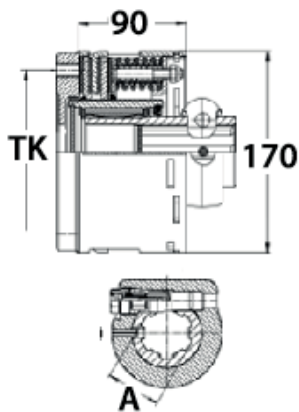
(SPARE PARTS: SEE PAGE 138)



A	daNm	GKN	BEPCO
1.3/8" - 6	150	1101739	B99016

FRICION CLUTCH FK96/4

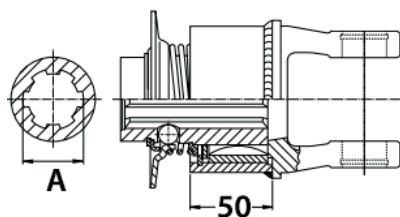
(SPARE PARTS: SEE PAGE 139)



Nr	Series	TK	GKN	BEPCO
2	W2400	138	1320699	B93783
2	W2500	138	1317807	B57934

Nr	A	TK	Nr holes	daNm	GKN	BEPCO
1	1.3/8" - 6	138	6	150	1101666	B99015
1	1.3/4" - 6	138	6	210	1102854	B99019

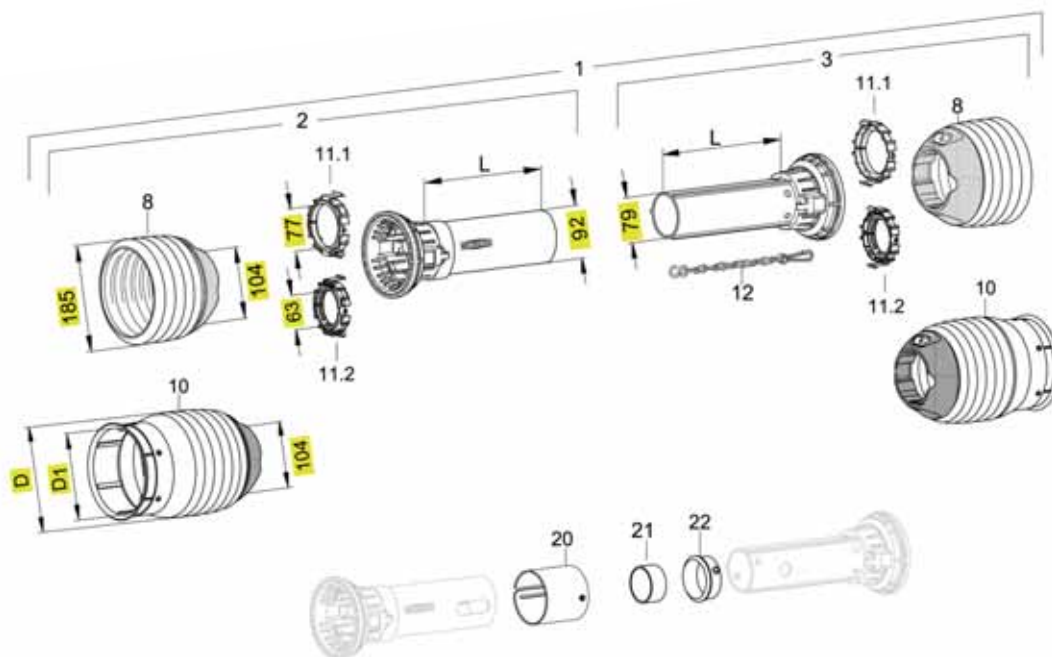
OVER RUN CLUTCH
(SPARE PARTS: SEE PAGE 140)



Rot.	A	Lock	GKN	BEPCO
-->	1.3/8" - 6	ZV	1367095	B99412
-->	1.3/8" - 21	ZV	1367685	B99415
-->	1.3/4" - 6	KB	1367687	B99417
-->	1.3/4" - 6	AS	1172748	B75102
-->	1.3/4" - 20	KB	1367689	B99418
<--	1.3/8" - 6	ZV	1365660	B76997
<--	1.3/8" - 21	ZV	1367686	B99416

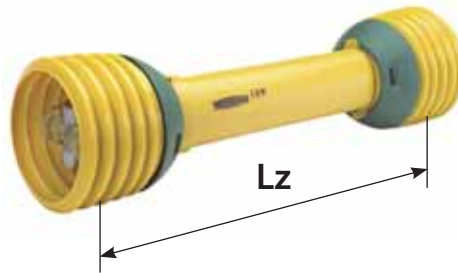


SAFETY GUARD PG25 / PG20



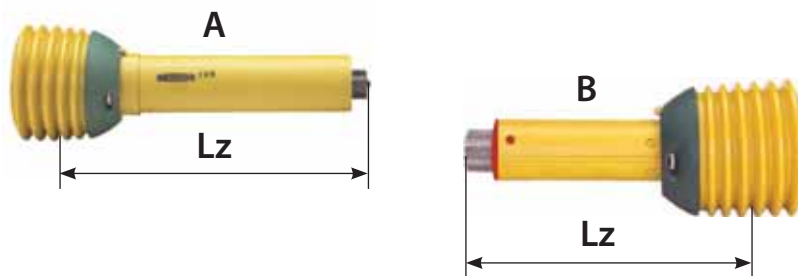
Nr	L	GKN	BEPCO
1	1000 mm	1116125	B75427
2	1000 mm	1116126	B99109
3	1000 mm	1116127	B99110
10	232 x 214	1120608	B99132
11.1	PG20	1177229	P862000
11.2	PG25	1139178	B99220
12	400 mm	1044321	P604321
12	600 mm	1382078	P682078

SERIES P500



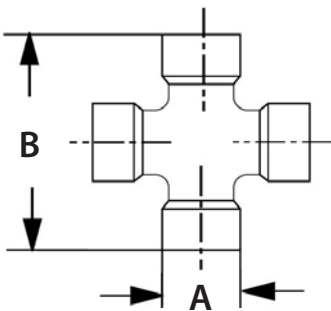
LZ	Tube	Safety Guard	GKN	BEPCO
1210	S4LH/S5	PG25	1113139	B99062

SERIES P500 - HALF DRIVE SHAFT



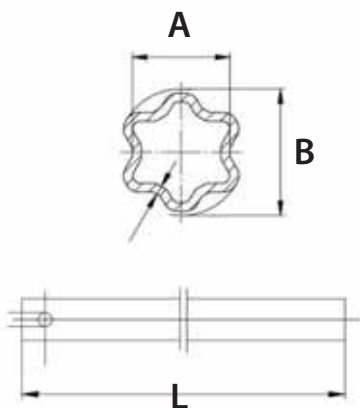
LZ	Mod	Tube	GKN	BEPCO
1116	A	S4LH	1113268	B99076
1101	B	S5	1113272	B99078

SERIES P500 - UNIVERSAL JOINT



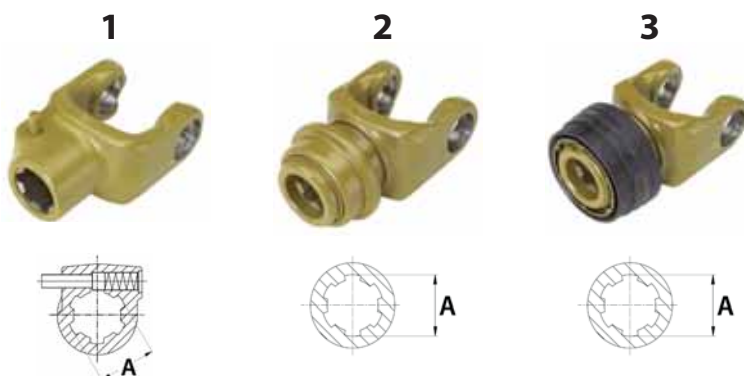
Mod	A	B	GKN	BEPCO
1	36	89	1122079	P010158

STAR TUBE



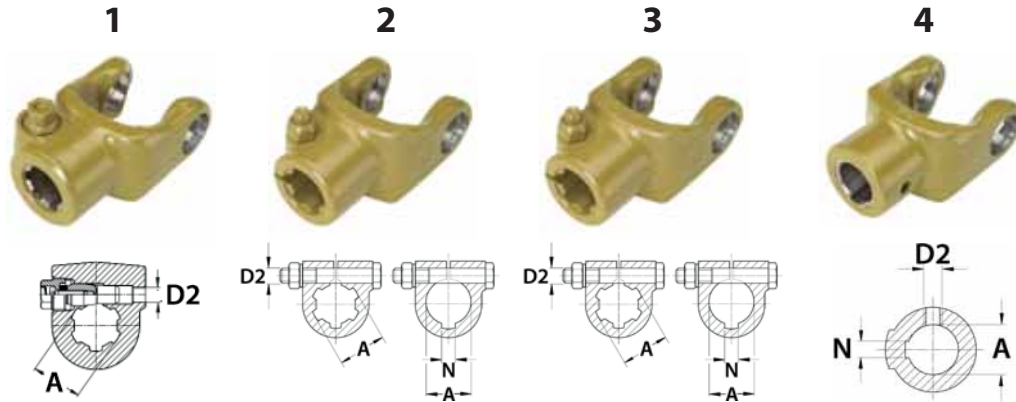
Type	L	A	B	GKN	BEPCO
S4LH	1000	37	51	1134941	B97731
S5	1000	47	61	1017660	P017660
S5	1400	47	61	1134935	P134935
S5	2900	47	61	1045639	P012246

EXTERNAL YOKE



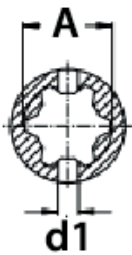
Nr	A	GKN	BEPCO
1	1.3/8" - 6	1097136	P623601
1	1.3/8" - 21	1097138	P623602
1	1.3/4" - 6	1097313	P623613
1	1.3/4" - 20	1097315	B99989
2	1.3/8" - 6	1362428	B99367
2	1.3/8" - 21	1362430	B99368
2	1.3/4" - 6	1362432	B99369
2	1.3/4" - 20	1362434	B99370
3	1.3/8" - 6	1366798	B99400
3	1.3/8" - 21	1366800	B99401
3	1.3/4" - 6	1366806	P366806
3	1.3/4" - 20	1366808	P366808

EXTERNAL YOKE



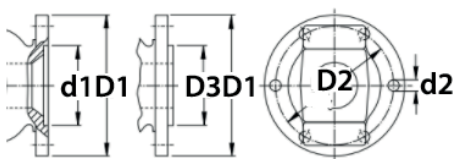
Nr	A	N	D2	GKN	BEPCO
1	1.3/8" - 6		12,5	1195118	B99275
1	1.3/8" - 21		12,5	1194063	B99268
1	1.3/4" - 6		15,8	1195097	P195097
1	1.3/4" - 20		15,8	1195099	B99273
2	1.3/8" - 6		M12 x 75	1319311	B99285
2	1.3/8" - 21		M12 x 75	1318384	B99284
2	1.3/4" - 6		M16 x 90	1320790	B99293
2	1.3/4" - 20		M16 x 90	1325027	B99295
2	35	10	M12 x 80	1314921	P621814
2	40	12	M12 x 85	1339791	B66351
2	45	14	M12 x 85	1170491	B76717
3	40	12	M12 x 85	1319309	B50541
3	45	14	M12 x 85	1338923	B99325
4	35	10	M 14	1320796	B99294
4	40	12	M 14	1335439	B99314
4	45	14	M 14	1332916	B99311

INTERNAL YOKE



A	d1	GKN	BEPCO
S4	10	1125356	B75686
S5	10	1125321	B75469

YOKE WITH FLANGE

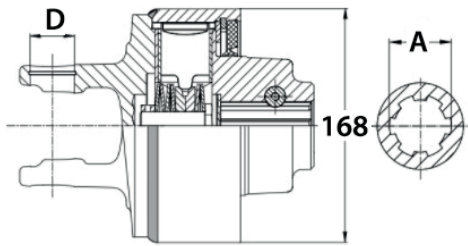


Nr holes	d1 x D1	d2 x D2	GKN	BEPCO
6	81 x 190	13,5 x 165	1330588	B99302
8	75 x 120	8,2 x 101,5	1023979	B98960
8	90 x 150	10,2 x 130	1331038	B99304

Nr holes	D3 x D1	d2 x D2	GKN	BEPCO
6	98 x 160	12,2 x 138	1317807	B57934

CAM LIMITER K64/22

(SPARE PARTS: SEE PAGE 131)



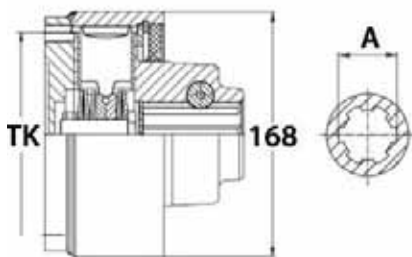
A	daNm	GKN	BEPCO
1.3/4" - 6	200	1134445	B99175
1.3/4" - 6	250	1690109	B99454
1.3/4" - 20	200	1690114	B99455

CAM LIMITER EK64/22

(SPARE PARTS: SEE PAGE 131)



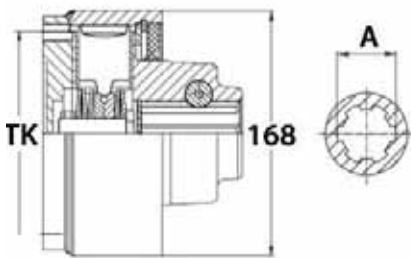
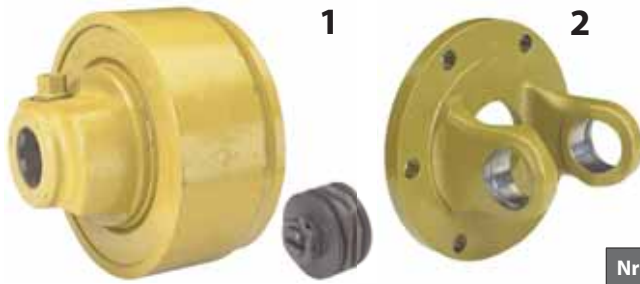
Nr	Series	TK	GKN	BEPCO
2	W2400	118	1325556	B99297
2	W2400	138	1320699	B93783
2	W2500	138	1317807	B57394
2	W2600	138	1334661	B97310



Nr	TK	A	daNm	GKN	BEPCO
1	138	1.3/8" - 6	165	1693383	B99469
1	138	1.3/8" - 6	200	1135363	B99189
1	138	1.3/4" - 6	165	1134364	B99174
1	138	1.3/4" - 6	200	1129931	B99154
1	138	1.3/4" - 6	250	1129870	B99153
1	138	1.3/4" - 20	250	1129869	B99152

CAM LIMITER EK64/24

(SPARE PARTS: SEE PAGE 132)

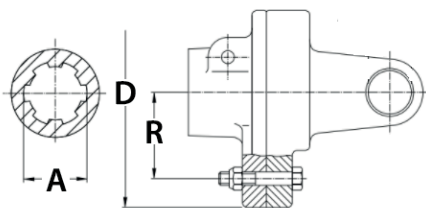


Nr	Series	TK	GKN	BEPCO
2	W2500	138	1317807	B57394
2	W2600	138	1334661	B97310
2	W2700	138	1170049	B99235

Nr	TK	A	daNm	GKN	BEPCO
1	138	1.3/4" - 6	380	1136029	B99192
1	138	1.3/4" - 20	400	1138772	B99218

SHEAR BOLT CLUTCH KB61/20

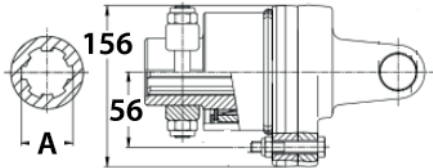
(SPARE PARTS: SEE PAGE 133)



A	D	R	daNm	GKN	BEPCO
1.3/8" - 6	156	60	313	1332014	B99308
1.3/8" - 6	156	48	360	1345224	B99339
1.3/8" - 6	156	56	292	1355272	B99356
1.3/8" - 21	156	48	250	1332013	B99307
1.3/4" - 6	156	64	333	1349785	B99345
1.3/4" - 20	156	64	480	1195598	B99277

SHEAR BOLT CLUTCH WITH OVER RUN CLUTCH

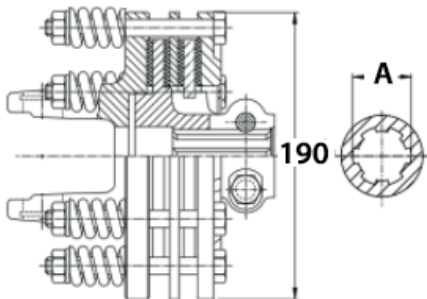
(SPARE PARTS: SEE PAGE 134)



rot.	A	daNm	GKN	BEPCO
-->	1.3/4" - 6	420	1115683	B57168
-->	1.3/4" - 20	480	1107412	B99029

FRICITION CLUTCH K90/4

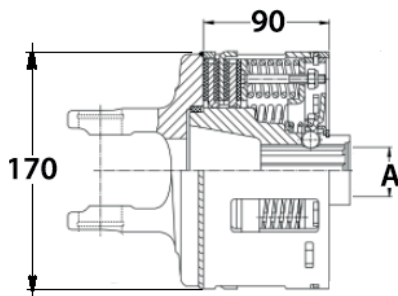
(SPARE PARTS: SEE PAGE 135)



A	daNm	GKN	BEPCO
1.3/8" - 6	150	1333268	B99312
1.3/4" - 6	150	1342376	B99336
1.3/4" - 20	140	1342377	B99337

FRICITION CLUTCH K96/4

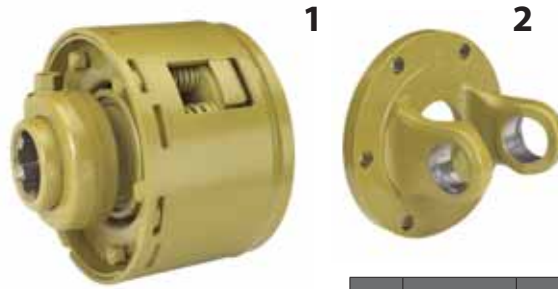
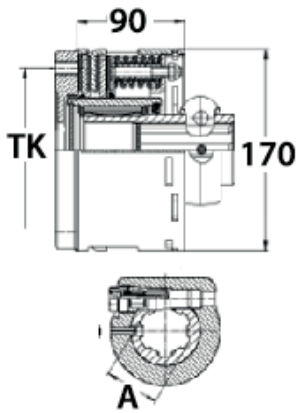
(SPARE PARTS: SEE PAGE 138)



A	daNm	GKN	BEPCO
1.3/4" - 6	210	1101743	B99017

FRICTION CLUTCH EFK96/4

(SPARE PARTS: SEE PAGE 139)

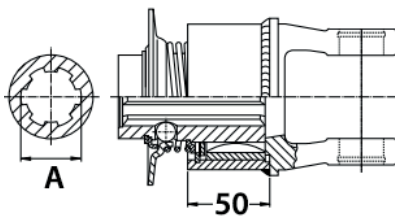


Nr	Series	TK	GKN	BEPCO
2	W2400	138	1320699	B93783
2	W2500	138	1317807	B57934

Nr	A	TK	Nr holes	daNm	GKN	BEPCO
1	1.3/8" - 6	138	6	150	1101666	B99015
1	1.3/4" - 6	138	6	210	1102854	B99019

OVER RUN CLUTCH F5/1

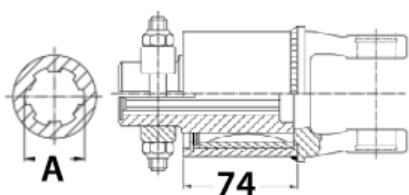
(SPARE PARTS: SEE PAGE 140)



rot.	A	Lock	GKN	BEPCO
-->	1.3/8" - 6	ZV	1350867	B99346
-->	1.3/4" - 6	AS	1112225	B99035
-->	1.3/4" - 6	KB	1365421	B93749
-->	1.3/4" - 20	KB	1365422	B99380
<--	1.3/8" - 6	ZV	1352539	B99351
<--	1.3/4" - 6	ZV	1190341	B99262

OVER RUN CLUTCH F5/2

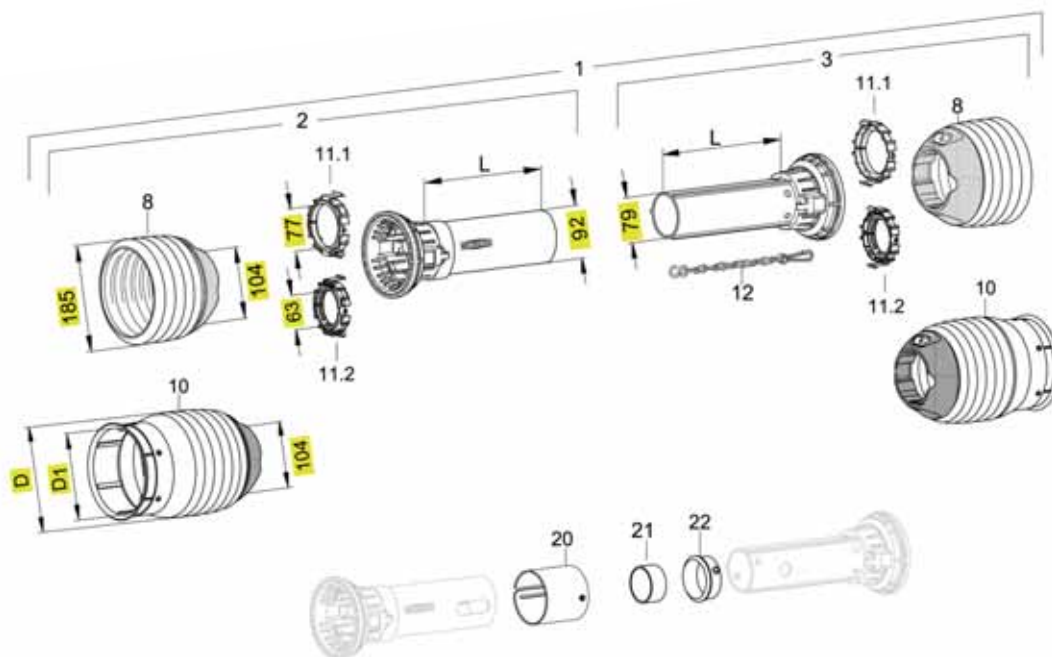
(SPARE PARTS: SEE PAGE 141)



rot.	A	Lock	GKN	BEPCO
-->	1.3/4" - 6	CC	1112309	B99036
-->	1.3/4" - 20	CC	1196670	B99279



SAFETY GUARD PG25 / PG20



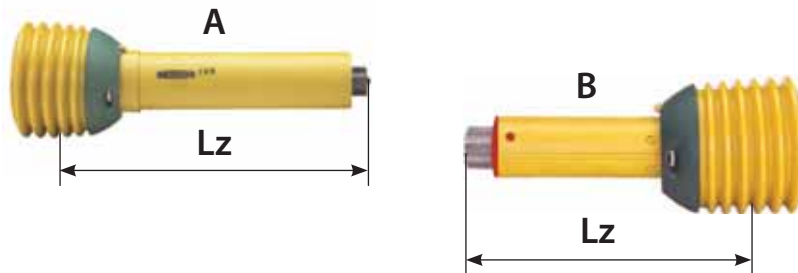
Nr	L	GKN	BEPCO
1	1000 mm	1116125	B75427
2	1000 mm	1116126	B99109
3	1000 mm	1116127	B99110
10	232 x 214	1120608	B99132
11.1	PG20	1117229	P862000
11.2	PG25	1139178	B99220
12	400 mm	1044321	P604321
12	600 mm	1382078	P682078

SERIES P600



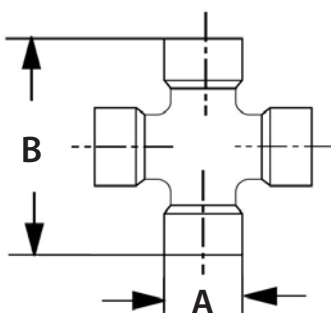
LZ	Tube	Safety Guard	GKN	BEPCO
1210	S5H/S6	PG30	1113141	B99063

SERIES P600 - HALF DRIVE SHAFT



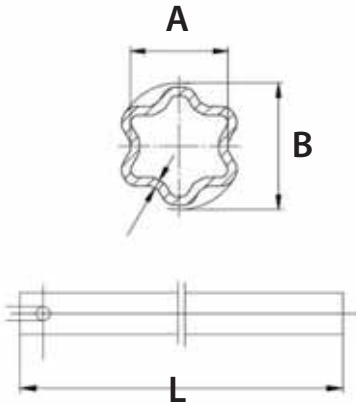
LZ	Mod	Tube	GKN	BEPCO
1107	A	S5H	1113269	B99077
1077	B	S6	1113273	B99079

SERIES P600 - UNIVERSAL JOINT



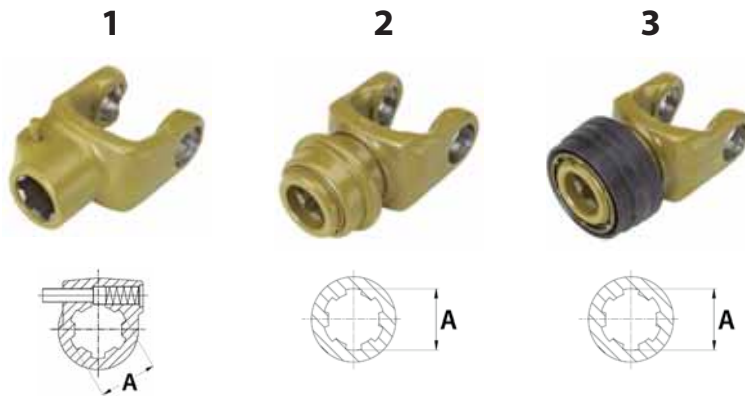
Mod	A	B	GKN	BEPCO
1	42	104	1121146	P622610
2	42	104	1116496	P010161

STAR TUBE



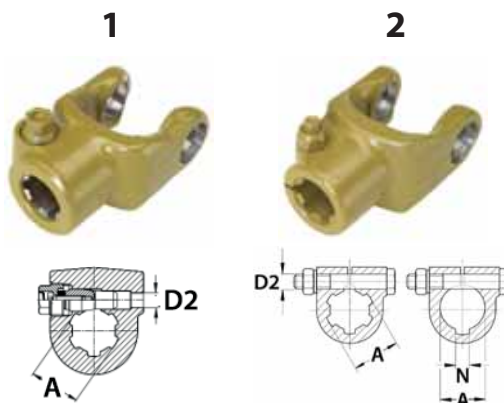
Type	L	A	B	GKN	BEPCO
S5H	1400	47	61	1135889	P135889
S6	1000	57,5	71,5	1693668	B97733
S6	1400	57,5	71,5	1123390	P123390
S6	2900	57,5	71,5	1185813	B75455

EXTERNAL YOKE



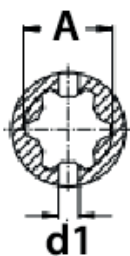
Nr	A	GKN	BEPCO
1	1.3/8" - 6	1320801	P622611
1	1.3/8" - 21	1320802	B99985
1	1.3/4" - 6	1320803	B99986
1	1.3/4" - 20	1320804	P261802
2	1.3/8" - 6	1362419	B97309
2	1.3/8" - 21	1362421	B99365
2	1.3/4" - 6	1362423	B99366
2	1.3/4" - 20	1362436	B97367
3	1.3/8" - 6	1365814	B99390
3	1.3/8" - 21	1365816	B99391
3	1.3/4" - 6	1365818	P365818
3	1.3/4" - 20	1366780	P366780

EXTERNAL YOKE



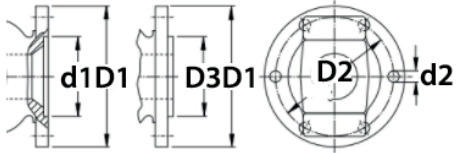
Nr	A	D2	GKN	BEPCO
1	1.3/4" - 6	15,8	1195124	P195124
1	1.3/4" - 20	15,8	1195126	B99276
2	1.3/4" - 6	M16 x 90	1329051	B65827
2	1.3/4" - 20	M16 x 90	1329053	B99301

INTERNAL YOKE



A	d1	GKN	BEPCO
S5	13	1119927	B99128
S6	13	1119928	B99129

YOKE WITH FLANGE



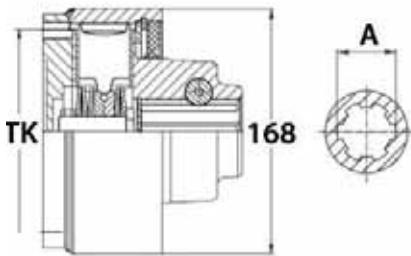
Nr holes	D3 x D1	d2 x D2	GKN	BEPCO
12	98 x 160	12,2 x 138	1334661	B97310

CAM LIMITER EK64/22

(SPARE PARTS: SEE PAGE 131)



Nr	Series	TK	GKN	BEPCO
2	W2400	118	1325556	B99297
2	W2400	138	1320699	B93783
2	W2500	138	1317807	B57394
2	W2600	138	1334661	B97310



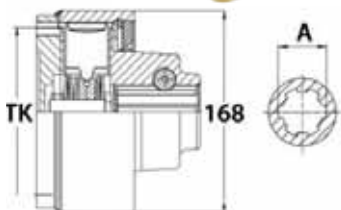
Nr	TK	A	daNm	GKN	BEPCO
1	138	1.3/8" - 6	165	1693383	B99469
1	138	1.3/8" - 6	200	1135363	B99189
1	138	1.3/4" - 6	165	1134364	B99174
1	138	1.3/4" - 6	200	1129931	B99154
1	138	1.3/4" - 6	250	1129870	B99153
1	138	1.3/4" - 20	250	1129869	B99152

CAM LIMITER EK64/24

(SPARE PARTS: SEE PAGE 132)



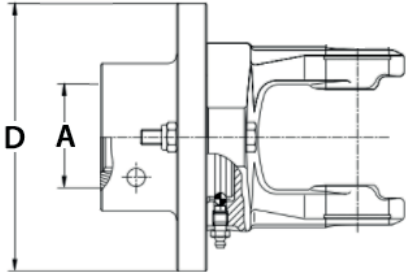
Nr	Series	TK	GKN	BEPCO
2	W2500	138	1317807	B57394
2	W2600	138	1334661	B97310
2	W2700	138	1170049	B99235



Nr	TK	A	daNm	GKN	BEPCO
1	138	1.3/4" - 6	380	1136029	B99192
1	138	1.3/4" - 20	400	1138772	B99218

SHEAR BOLT CLUTCH

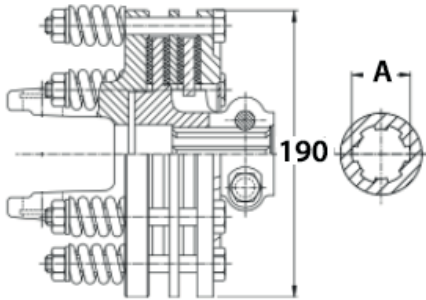
(SPARE PARTS: SEE PAGE 133)



A	D	daNm	GKN	BEPCO
1.3/4" - 6	180	390	1354298	B99355
1.3/4" - 20	160	480	1346424	B99342

FRICTION CLUTCH K90/4

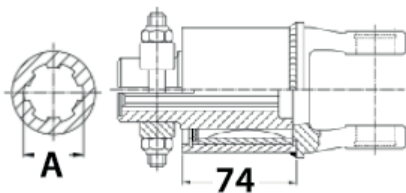
(SPARE PARTS: SEE PAGE 135)



A	daNm	GKN	BEPCO
1.3/4" - 20	140	1333297	B99313

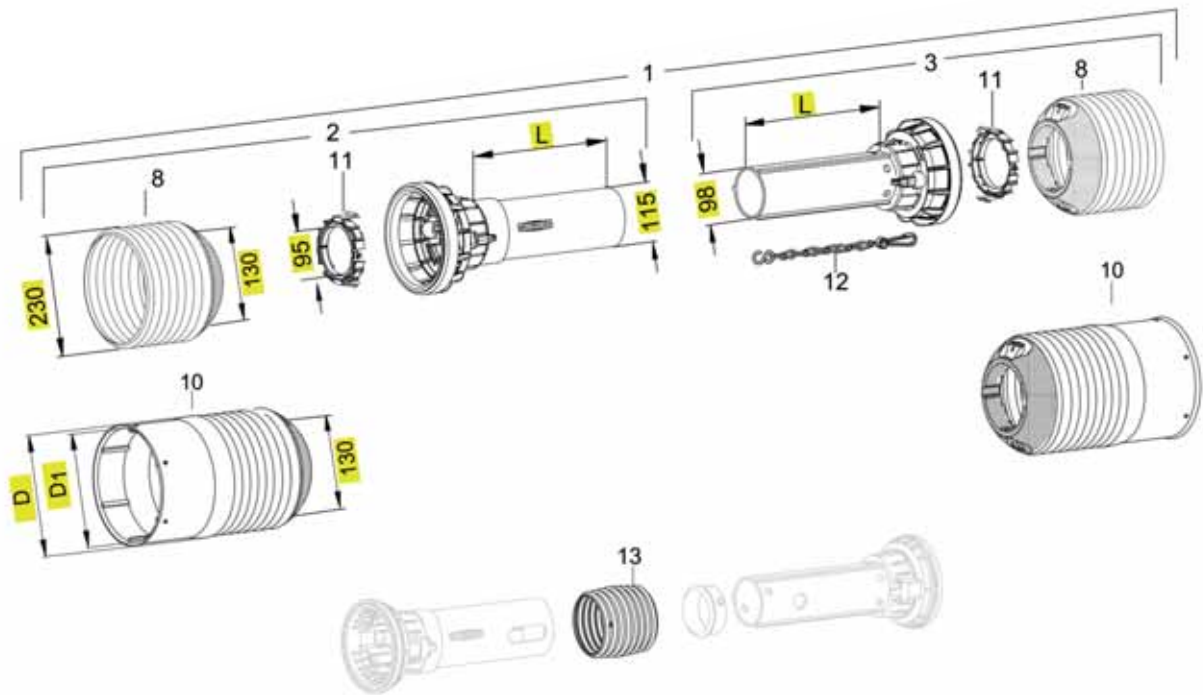
OVER RUN CLUTCH F5/2

(SPARE PARTS: SEE PAGE 141)



rot.	A	Lock	GKN	BEPCO
-->	1.3/8" - 6	CC	1104264	B99023
-->	1.3/8" - 21	ZV	1172694	B57035
-->	1.3/4" - 6	CC	1106281	B99028
-->	1.3/4" - 20	CC	1106127	B99026

SAFETY GUARD PG30



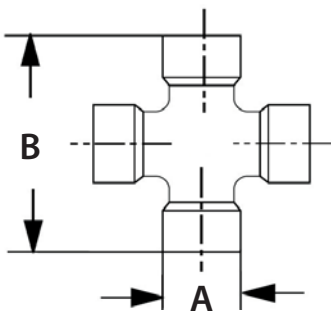
Nr	L	GKN	BEPKO
1	1000 mm	1116128	B65828
2	1000 mm	1116129	B99111
3	1000 mm	1116130	B99112
10	232 x 214	1120308	B99131
11	PG30	1109132	P863000
12	400 mm	1044321	P604321
12	600 mm	1382078	P682078

SERIES P700



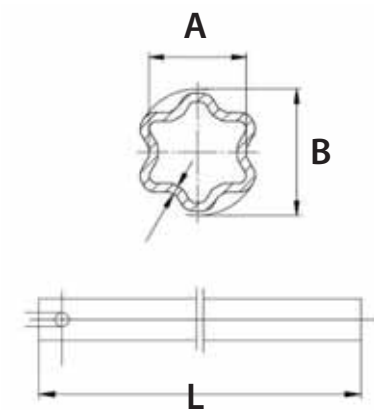
LZ	Tube	Safety Guard	GKN	BEPCO
1210	S5H/S6	PG30	1113077	B99038

UNIVERSAL JOINT



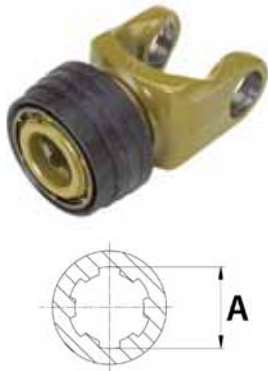
A	B	GKN	BEPCO
50	118	1121147	B75144

STAR TUBE



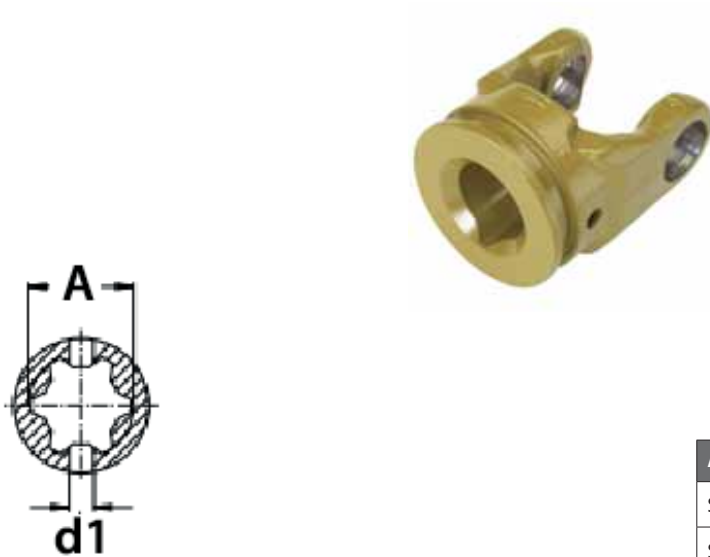
Type	L	A	B	GKN	BEPCO
S5H	1400	47	61	1135889	P135889
S6	1000	57,5	71,5	1693668	B97733
S6	1400	57,5	71,5	1123390	P123390
S6	2900	57,5	71,5	1185813	B75455

EXTERNAL YOKE



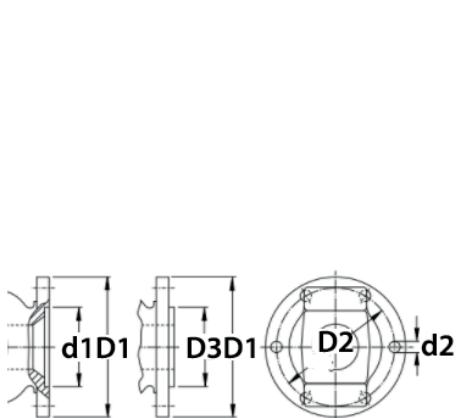
A	GKN	BEPCO
1.3/4" - 6	1377658	B99442
1.3/4" - 20	1168391	B75137

INTERNAL YOKE



A	d1	GKN	BEPCO
S5	13	1125760	B99138
S6	10	1125761	B99139

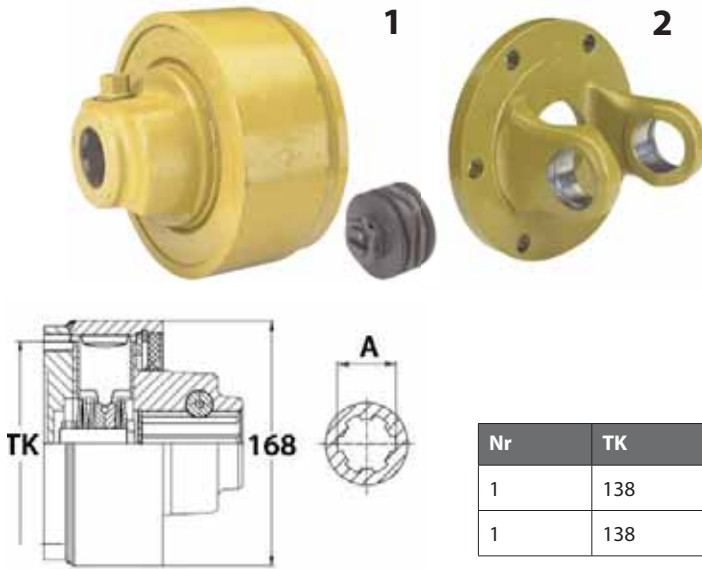
YOKE WITH FLANGE



Nr holes	D3 x D1	d2 x D2	GKN	BEPCO
12	98 x 160	12,2 x 138	1170049	B99235

SERIES P700 - CAM LIMITER EK64/24

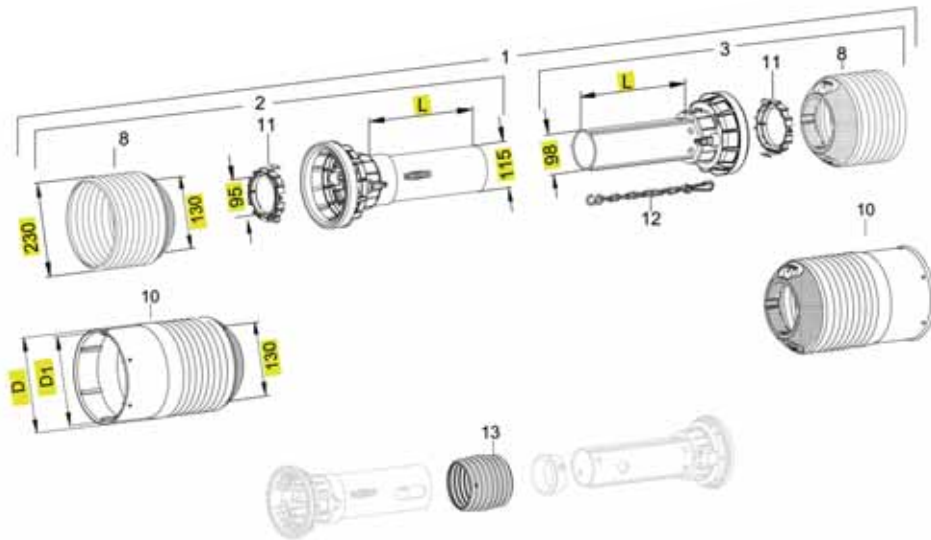
(SPARE PARTS: SEE PAGE 132)



Nr	Series	TK	GKN	BEPCO
2	W2500	138	1317807	B57394
2	W2600	138	1334661	B97310
2	W2700	138	1170049	B99235

Nr	TK	A	daNm	GKN	BEPCO
1	138	1.3/4" - 6	380	1136029	B99192
1	138	1.3/4" - 20	400	1138772	B99218

SERIES P700 - SAFETY GUARD PG30



Nr	L	GKN	BEPCO
1	1000 mm	1116128	B65828
2	1000 mm	1116129	B99111
3	1000 mm	1116130	B99112
10	232 x 214	1120308	B99131
11	PG30	1109132	P863000
12	400 mm	1044321	P604321
12	600 mm	1382078	P682078

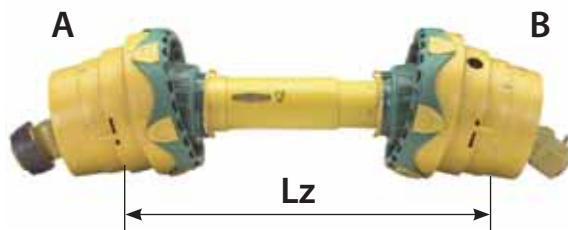


SERIES WWE 2280



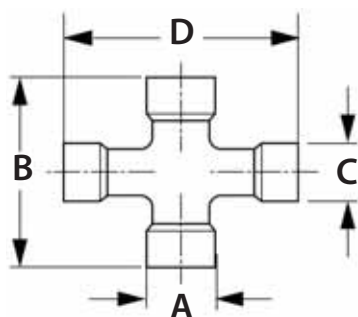
LZ	A	B	GKN	BEPCO
1210	1.3/8" - 6	1.3/8" - 6	1113143	B52913

SERIES WWZ 2280



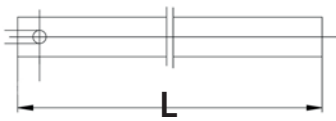
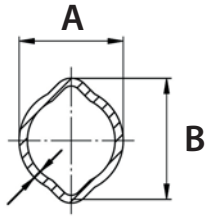
LZ	A	B	GKN	BEPCO
1210	1.3/8" - 6	1.3/8" - 6	1113164	B99065

UNIVERSAL JOINT



Nr	A x B	C x D	GKN	BEPCO
1	24 x 61	22 x 76	1367701	P011206
2	24 x 61	22 x 76	1116555	B99119

SERIES WWE 2280 - LEMON TUBE



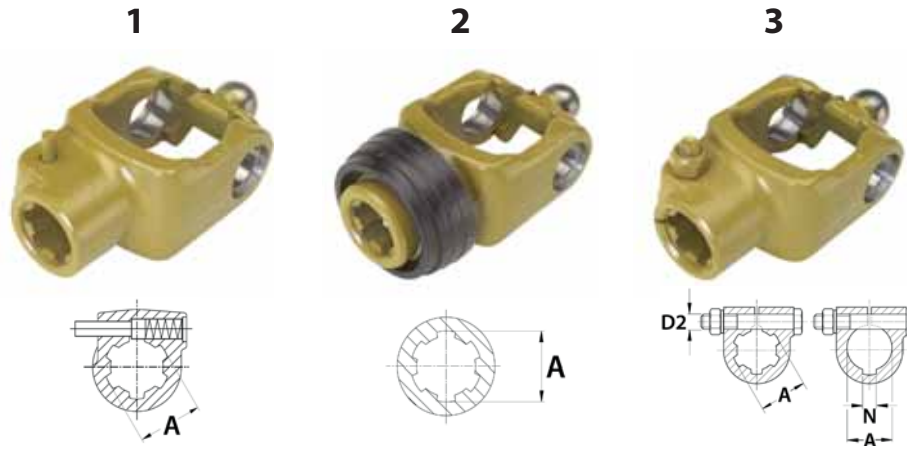
Type	L	A	B	GKN	BEPCO
0vGA	1000	34,5	40	1135936	B97725
1G	1000	41	48	1136155	B97729

COMPLETE JOINT



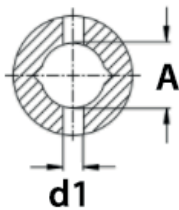
Nr	A	B	GKN	BEPCO
1	1.3/8" - 6	RG - 00c	1113311	B99099
2	1.3/8" - 6	RG - 0a	1113301	B99094
1	1.3/8" - 6	RG - 0v	1113312	P111312
2	1.3/8" - 6	RG - 1	1113302	B99095

EXTERNAL YOKE



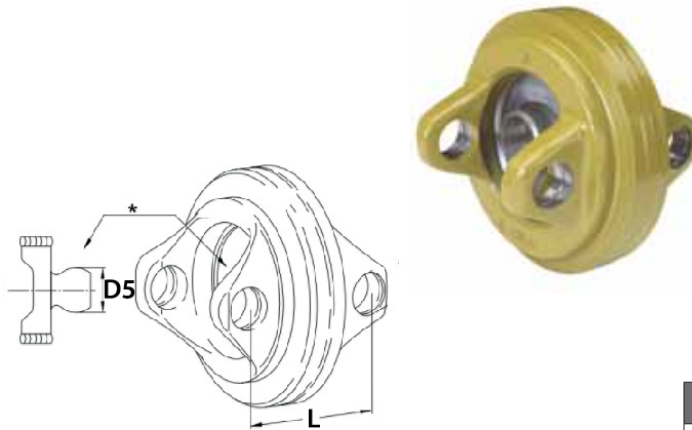
Nr	A	N	D2	GKN	BEPCO
1	1.3/8" - 6			1366866	B99406
2	1.3/8" - 6			1134544	P134544
2	1.3/8" - 21			1134546	B99177
3	30	8	M12 x 70	1366868	B99407

INTERNAL YOKE



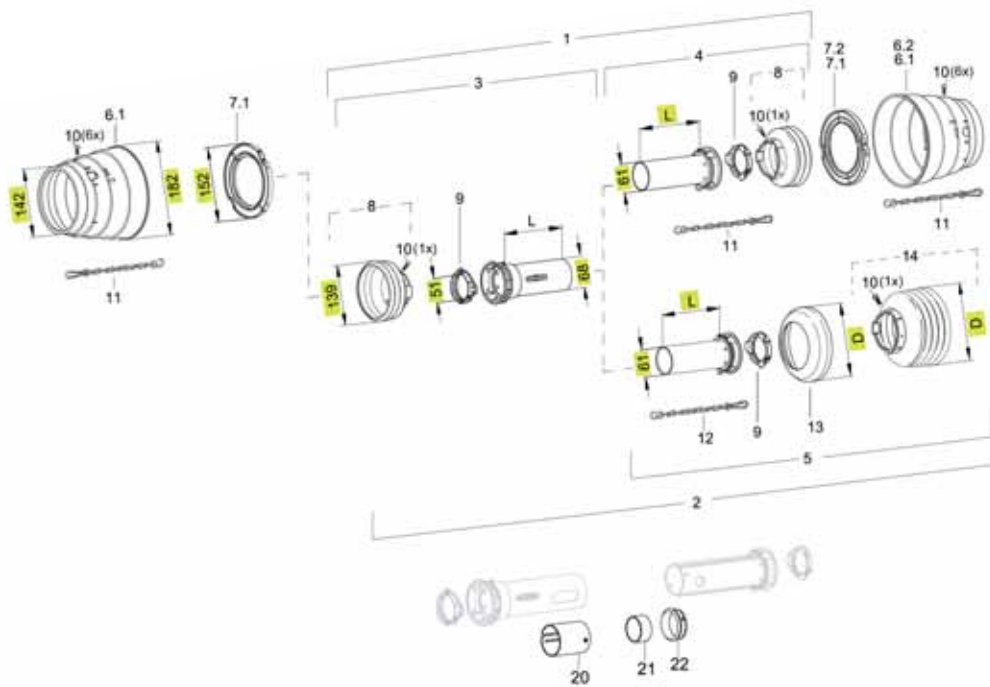
A	d1	GKN	BEPCO
00c	8	1366883	B99408
0a	8	1366884	B99409
0v	10	1366885	B99410
1	10	1366886	B99411

WIDE-ANGLE DOUBLE YOKE 80°



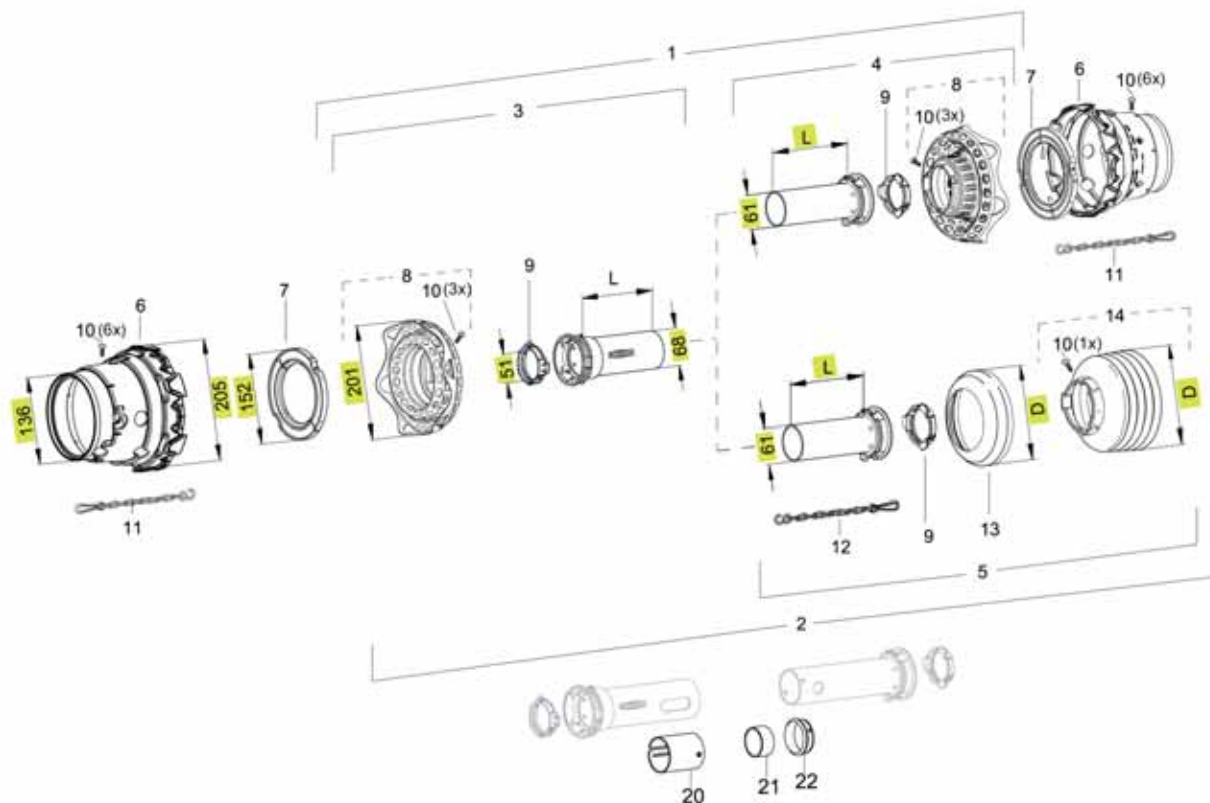
L	D5	GKN	BEPCO
86	22	1384515	B99451

SAFETY GUARD SD 15



Nr	L	GKN	BEPCO
3	1000 mm	1368642	B99428
3	1500 mm	1368678	B70156
4	1000 mm	1368634	B99425
4	1500 mm	1368677	B70155
6.1	182 x 153	1365714	P087279
7.1	152	1365716	P665716
9		1087279	P087279
11	600 mm	1382078	P682078
12	400 mm	1044321	P604321

SAFETY GUARD SDF 15



Nr	L	GKN	BEPCO
1	1000 mm	1116471	P616471
2	1000 mm	1136736	P636736
3	1000 mm	1116472	B99114
3	1500 mm	1116586	B99120
4	1000 mm	1116473	B99115
4	1500 mm	1116596	B99121
5	1000 mm	1368634	B99425
5	1500 mm	1368677	B70155
6	205 x 164	1134399	P634399
7	152	1365716	P665716
8	201	1134845	B99181
9		1087279	P087279
11	600 mm	1382078	P682078
12	400 mm	1044321	P604321

SERIES WWE 2380 - TUBE 0VGA/1G



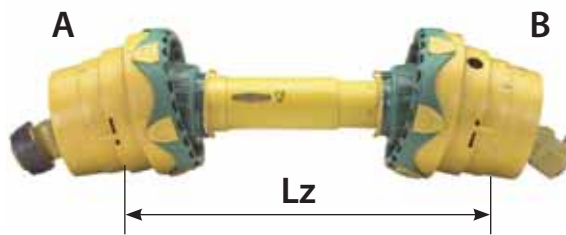
LZ	A	B	GKN	BEPCO
1210	1.3/8" - 6	1.3/8" - 6	1113145	B99064

SERIES WWE 2380 - TUBE 1BGA/2AG



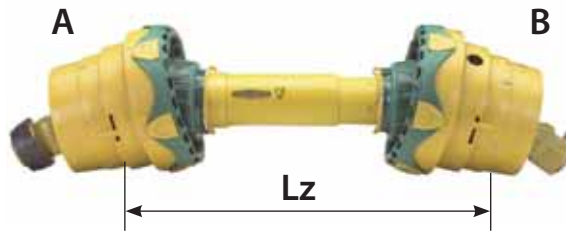
LZ	A	B	GKN	BEPCO
1210	1.3/8" - 6	1.3/8" - 6	1113147	P622380

SERIES WWZ 2380 - TUBE 0VGA/1G



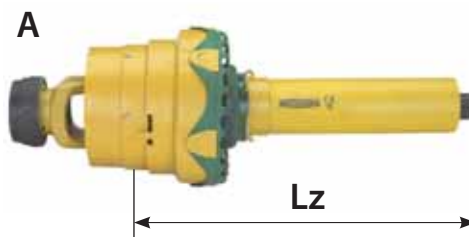
LZ	A	B	GKN	BEPCO
1210	1.3/8" - 6	1.3/8" - 6	1113166	B99066

SERIES WWZ 2380 - TUBE 1BGA/2AG



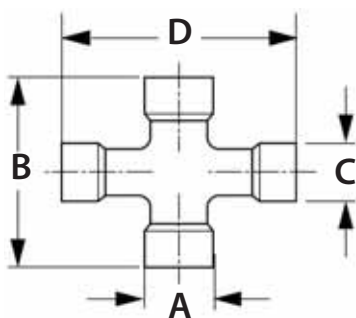
LZ	A	B	GKN	BEPCO
860	1.3/8" - 6	1.3/8" - 6	1113167	B97848
1210	1.3/8" - 6	1.3/8" - 6	1113168	P622381

SERIES WWZ 2380 - TUBE 1BGA/2AG



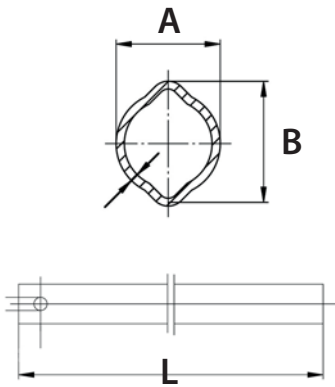
L	A	Tube	GKN	BEPCO
1125	1.3/8" - 6	0vGA	1113193	B99071
1125	1.3/8" - 6	1bGA	1113194	B99069

UNIVERSAL JOINT



Nr	A x B	C x D	GKN	BEPCO
1	27 x 75	24 x 91	1382701	P012106
2	27 x 75	24 x 91	1116550	P116550

LEMON TUBE



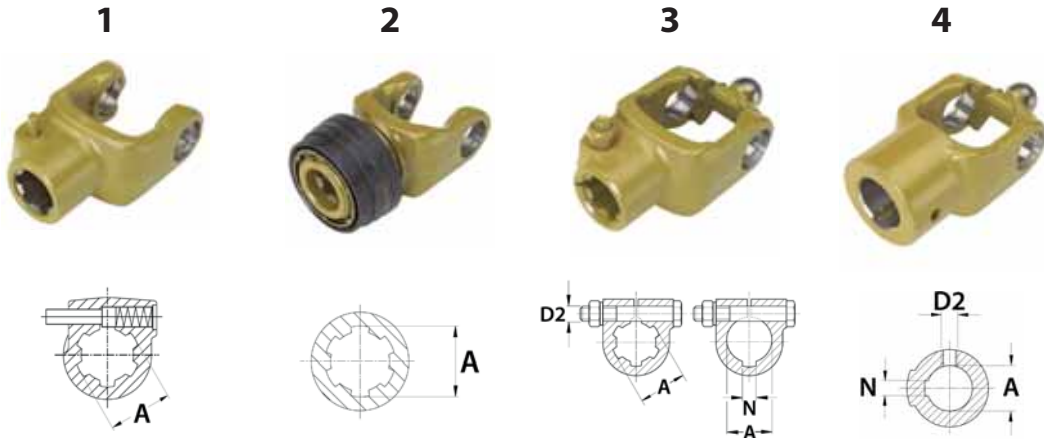
Type	L	A	B	GKN	BEPCO
0vGA	1000	34,5	40	1135936	B97725
1G	1000	41	48	1136155	B97729
1bGA	1000	39,5	49	1135895	P135898
1bGA	1400	39,5	49	1135896	P135896
2aG	1000	48	57,5	1135897	P135897
2aG	1400	48	57,5	1135898	P135898

COMPLETE JOINT



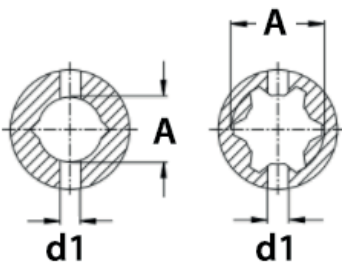
Nr	A	B	GKN	BEPCO
1	1.3/8" - 6	RG - 0v	1113313	B99100
2	1.3/8" - 6	RG - 1	1113303	B99096
1	1.3/8" - 6	RG - 1b	1113314	P138961
2	1.3/8" - 6	RG - 2A	1113304	B57957

EXTERNAL YOKE



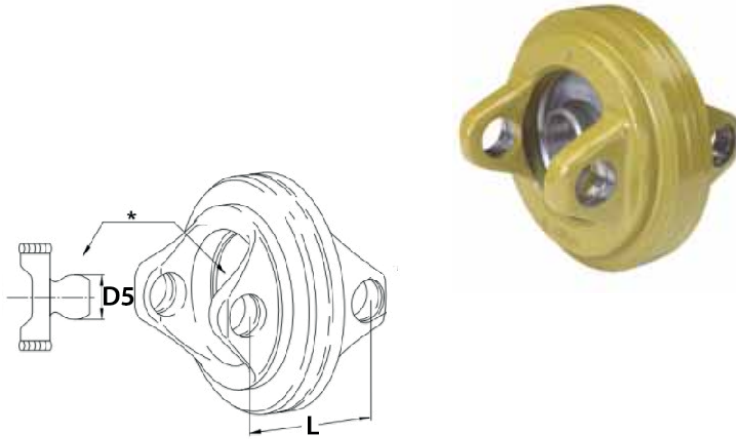
Nr	A	N	D2	GKN	BEPCO
1	1.3/8" - 6			1366838	B99403
2	1.3/8" - 6			1365802	B99385
2	1.3/8" - 21			1365804	B99386
3	30	8	M12 x 75	1366840	B75110
4	30	8	M12	1366852	B99404

INTERNAL YOKE



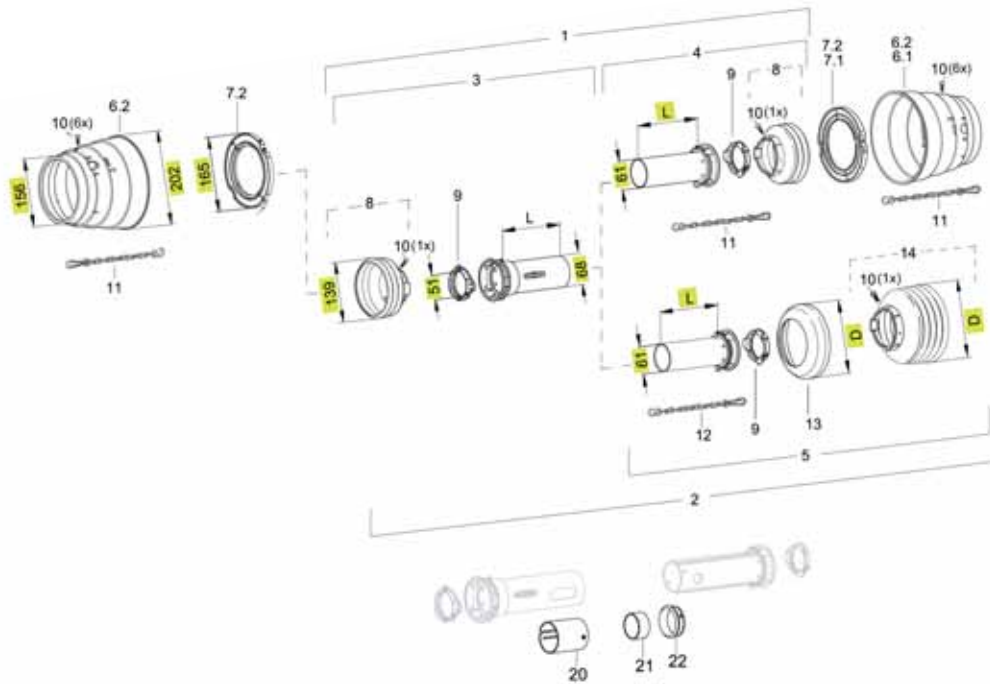
A	d1	GKN	BEPCO
0v	10	1366860	B99995
1	10	1366861	B99996
1b	10	1366862	B99990
2a	10	1366863	B99405

WIDE-ANGLE DOUBLE YOKE 80°



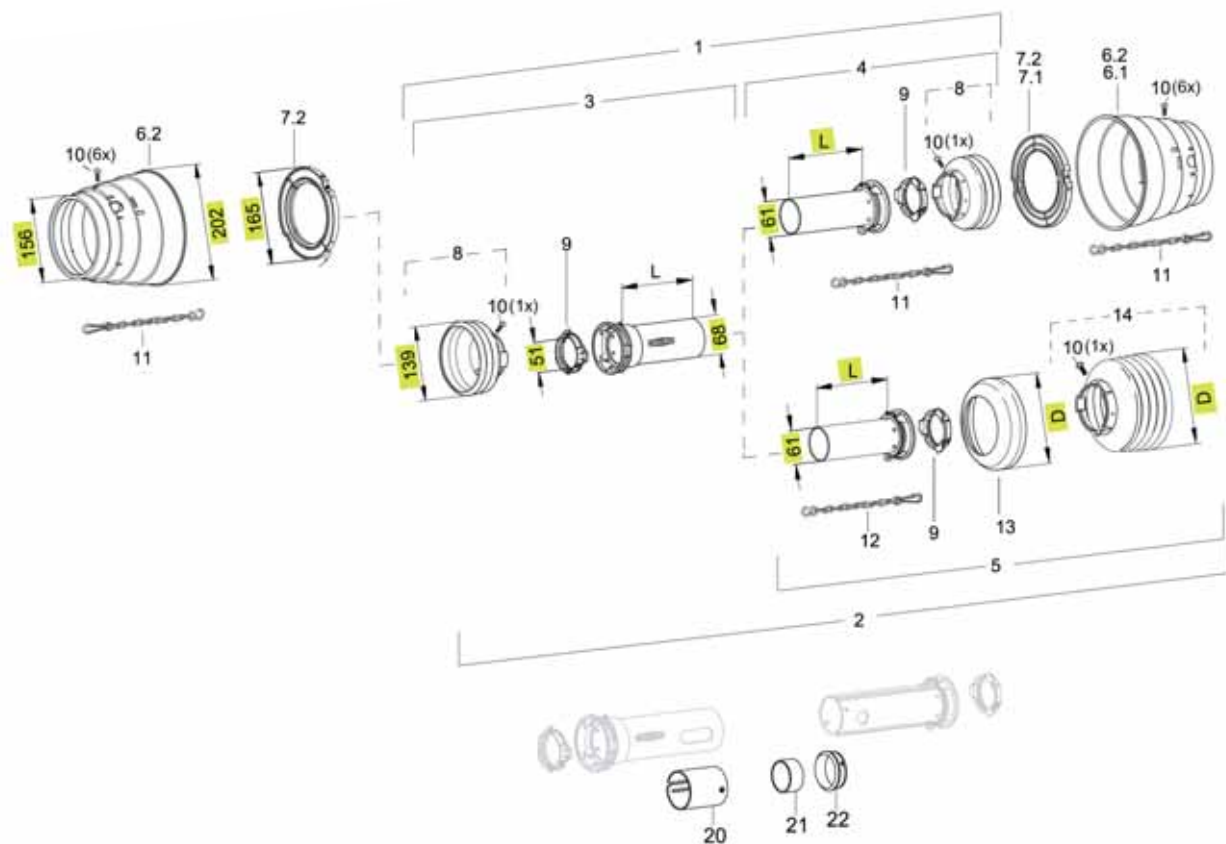
L	D5	GKN	BEPCO
95	24	1384517	B99988

SAFETY GUARD SD 15



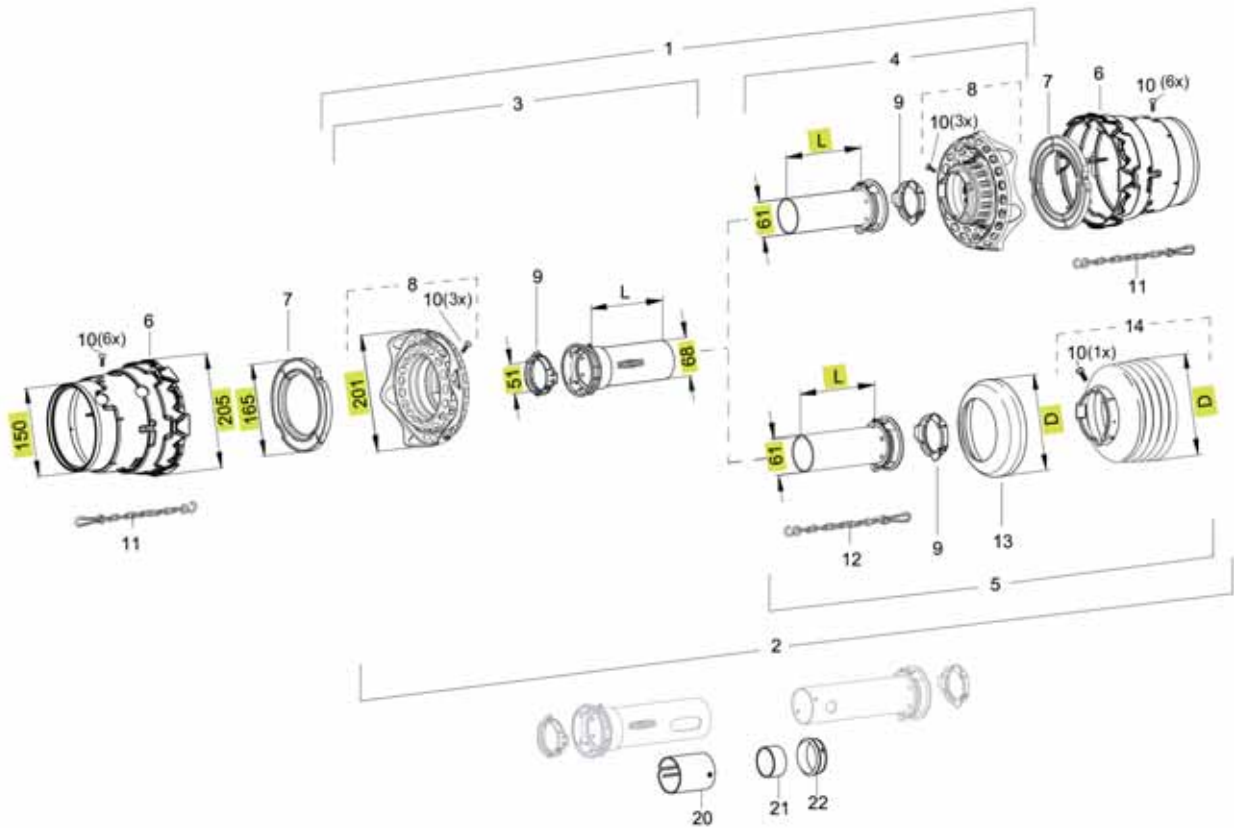
Nr	L	GKN	BEPCO
3	1000 mm	1368642	B99428
3	1500 mm	1368678	B70156
4	1000 mm	1368634	B99425
4	1500 mm	1368677	B70155
6.1	202 x 172	1365715	P087279
7.1	165	1365717	P665717
9		1087279	P087279
11	600 mm	1382078	P682078
12	400 mm	1044321	P604321

SAFETY GUARD SD 25



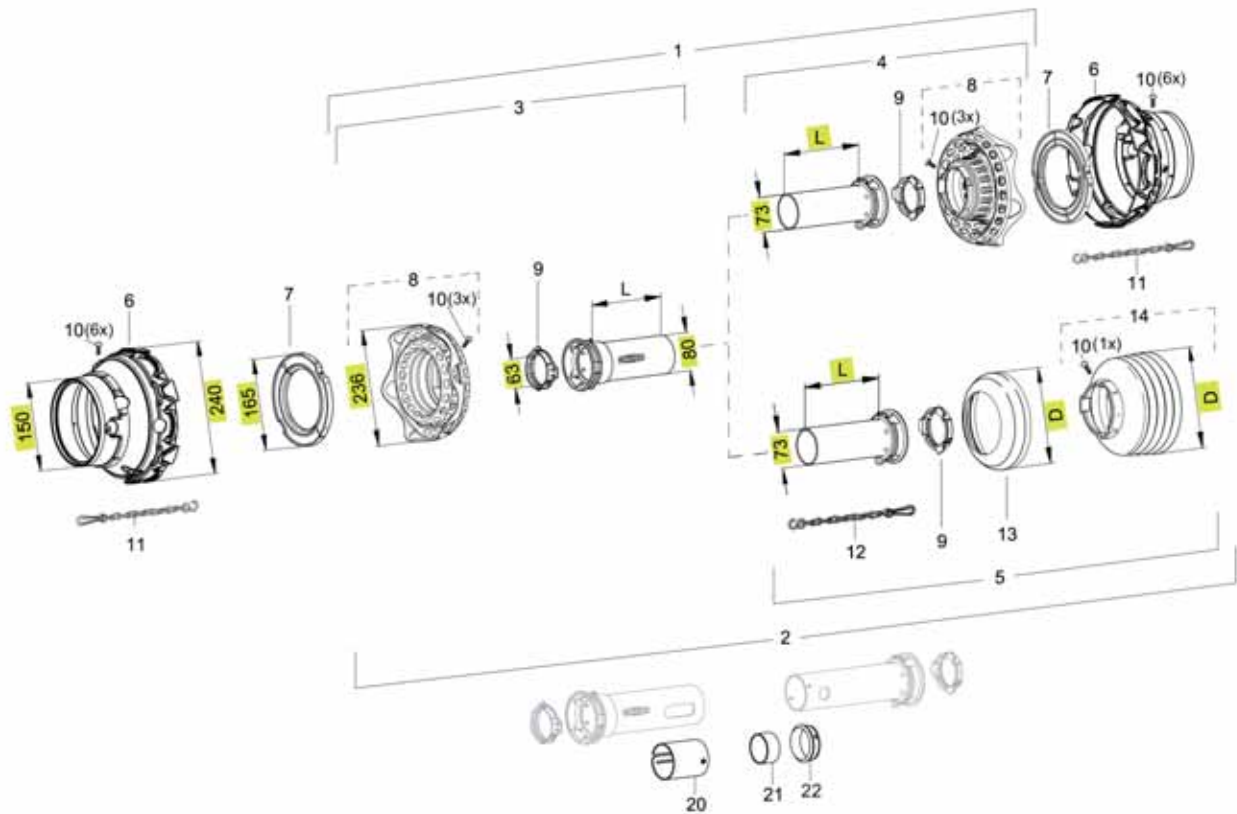
Nr	L	GKN	BEPCO
3	1000 mm	1368518	B99424
3	1500 mm	1368761	B99429
4	1000 mm	1368516	B99423
4	1500 mm	1368519	P852507
6.1	202 x 172	1365715	B99382
7.1	165	1365717	P665717
9		1087276	P087276
11	600 mm	1382078	P682078
12	400 mm	1044321	P604321

SAFETY GUARD SDF 15



Nr	L	GKN	BEPCO
1	1000 mm	1116471	P616471
2	1000 mm	1136736	P636736
3	1000 mm	1116472	B99114
3	1500 mm	1116586	B99120
4	1000 mm	1116473	B99115
4	1500 mm	1116596	B99121
5	1000 mm	1368634	B99425
5	1500 mm	1368677	B70155
6	205 x 186	1134400	P634400
7	165	1365717	P665717
8	201	1134845	B99181
9		1087279	P087279
11	600 mm	1382078	P682078
12	400 mm	1044321	P604321

SAFETY GUARD SDF 25



Nr	L	GKN	BEPCO
1	1000 mm	1116474	P616474
2	1000 mm	1136737	P636737
3	1000 mm	1116475	B99116
3	1500 mm	1116582	P852562
4	1000 mm	1116476	B99117
4	1500 mm	1116597	B99122
5	1000 mm	1368516	B99423
5	1500 mm	1368519	P852507
6	240 x 167	1134401	P634401
7	165	1365717	P665717
8	236	1134847	B57410
9		1087276	P087276
11	600 mm	1382078	P682078
12	400 mm	1044321	P604321

SERIES WWE 2480 - TUBE 1BGA/2AG



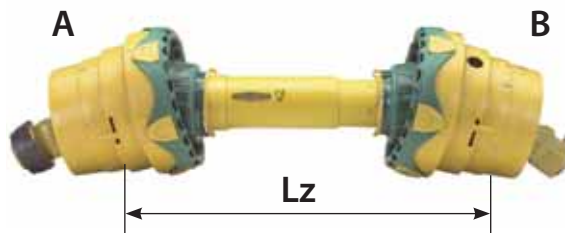
LZ	A	B	GKN	BEPCO
1210	1.3/8" - 6	1.3/8" - 6	1113149	P622480

SERIES WWE 2480 - TUBE S4LGA/S5



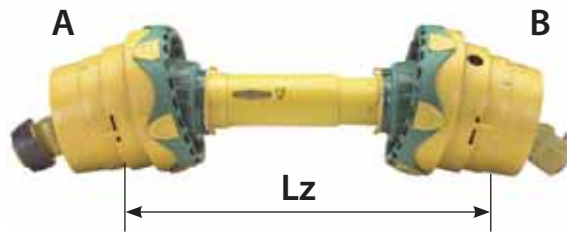
LZ	A	B	GKN	BEPCO
1210	1.3/8" - 6	1.3/8" - 6	1113151	P622490

SERIES WWZ 2480 - TUBE 1BGA/2AG



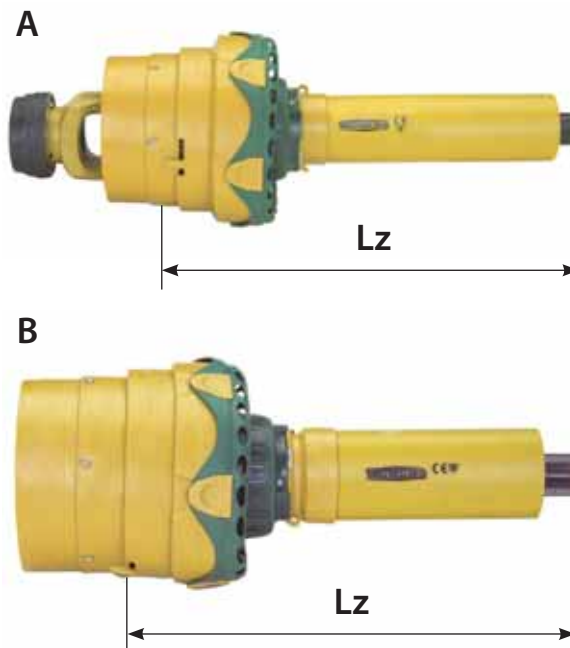
LZ	A	B	GKN	BEPCO
1210	1.3/8" - 6	1.3/8" - 6	1113170	P622481

SERIES WWZ 2480 - TUBE S4LGA/S5



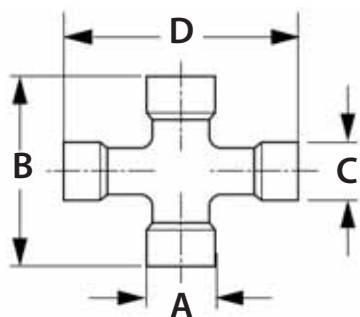
LZ	A	B	GKN	BEPCO
1210	1.3/8" - 6	1.3/8" - 6	1113172	P691665

SERIES WWH 2480 - HALF DRIVE SHAFT



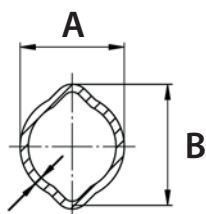
L	A	B	Tube	GKN	BEPCO
1134	1.3/8" - 6		1bGA	1113195	B99070
1134	1.3/8" - 6		S4LGA	1113196	B99072
1134			1bGA	1113197	B99073
1134			S4LGA	1113198	B99074

UNIVERSAL JOINT



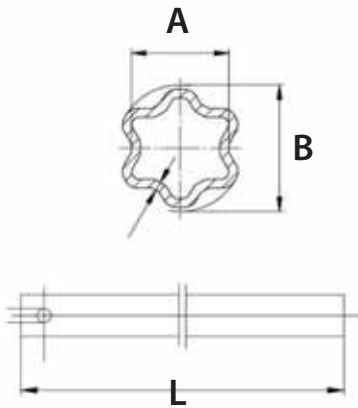
Nr	A x B	C x D	GKN	BEPCO
1	32 x 76	27 x 94	1342221	P624054
2	32 x 76	27 x 94	1135075	B99185
3	32 x 76	27 x 94	1135077	P135077

LEMON TUBE



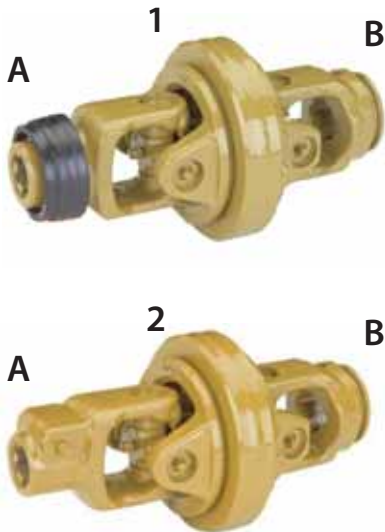
Type	L	A	B	GKN	BEPCO
1bGA	1000	39,5	49	1135895	P135898
1bGA	1400	39,5	49	1135896	P135896
2aG	1000	48	57,5	1135897	P135897
2aG	1400	48	57,5	1135898	P135898

STAR TUBE



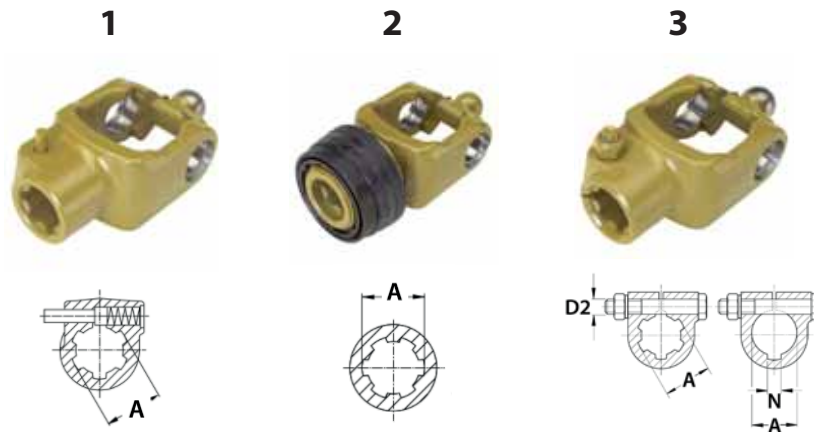
Type	L	A	B	GKN	BEPCO
S4LGA	1000	37	51	1134936	P134936
S4LGA	1400	37	51	1134937	P134937
S5	1000	47	61	1017660	P017660
S5	1400	47	61	1134935	P134935
S5	2900	47	61	1045639	P012246

COMPLETE JOINT



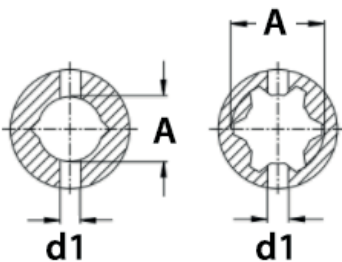
Nr	A	B	GKN	BEPCO
1	1.3/8" - 6	RG - 1b	1113315	P138963
1	1.3/8" - 21	RG - 1b	1113317	B99101
1	1.3/8" - 6	RG - S4	1113316	B93908
1	1.3/8" - 21	RG - S4	1113318	B99102
2	1.3/8" - 6	RG - 2a	1113305	B99097

EXTERNAL YOKE



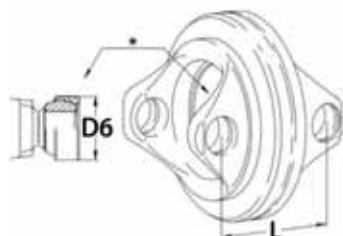
Nr	A	N	D2	GKN	BEPCO
1	1.3/8" - 6			1341579	B99330
1	1.3/8" - 21			1341583	B99332
1	1.3/4" - 6			1341581	B99331
1	1.3/4" - 20			1341585	B99333
2	1.3/8" - 6			1366786	B99396
2	1.3/8" - 21			1366788	B99397
2	1.3/4" - 6			1137010	B99213
2	1.3/4" - 20			1137012	B99214
3	30	8	M12 x 75	1366830	B99402

INTERNAL YOKE



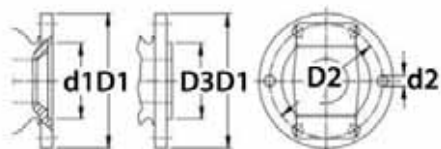
A	d1	GKN	BEPCO
1b	10	1341586	B99991
2a	10	1341587	B99992
S4	10	1161287	B99230
S5	10	1112491	B99037

WIDE-ANGLE DOUBLE YOKE 80°



L	D6	GKN	BEPCO
104	27	1365722	P354105

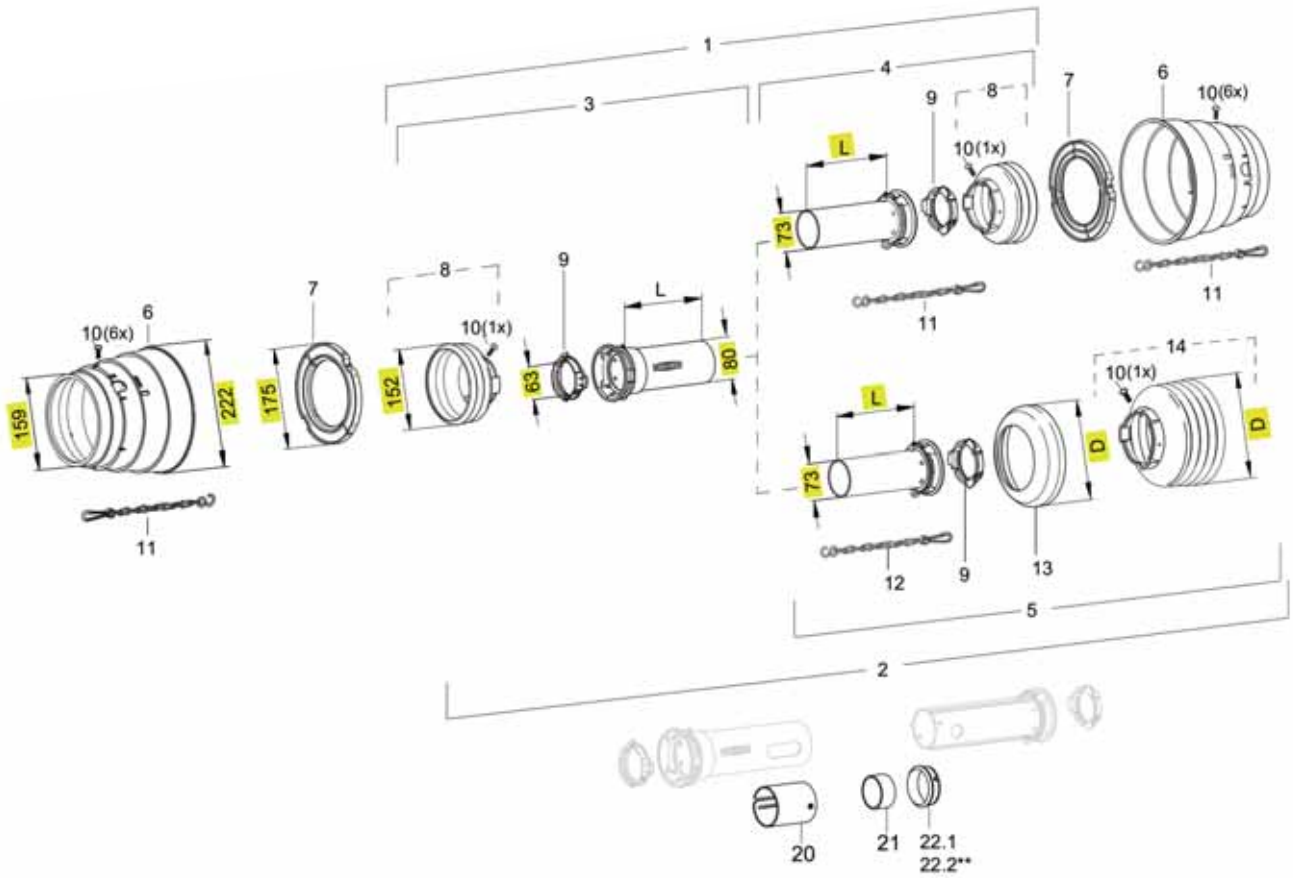
YOKE WITH FLANGE



Nr holes	D3 x D1	d2 x D2	GKN	BEPCO
12	98 x 160	12,2 x 138	1358478	B99360

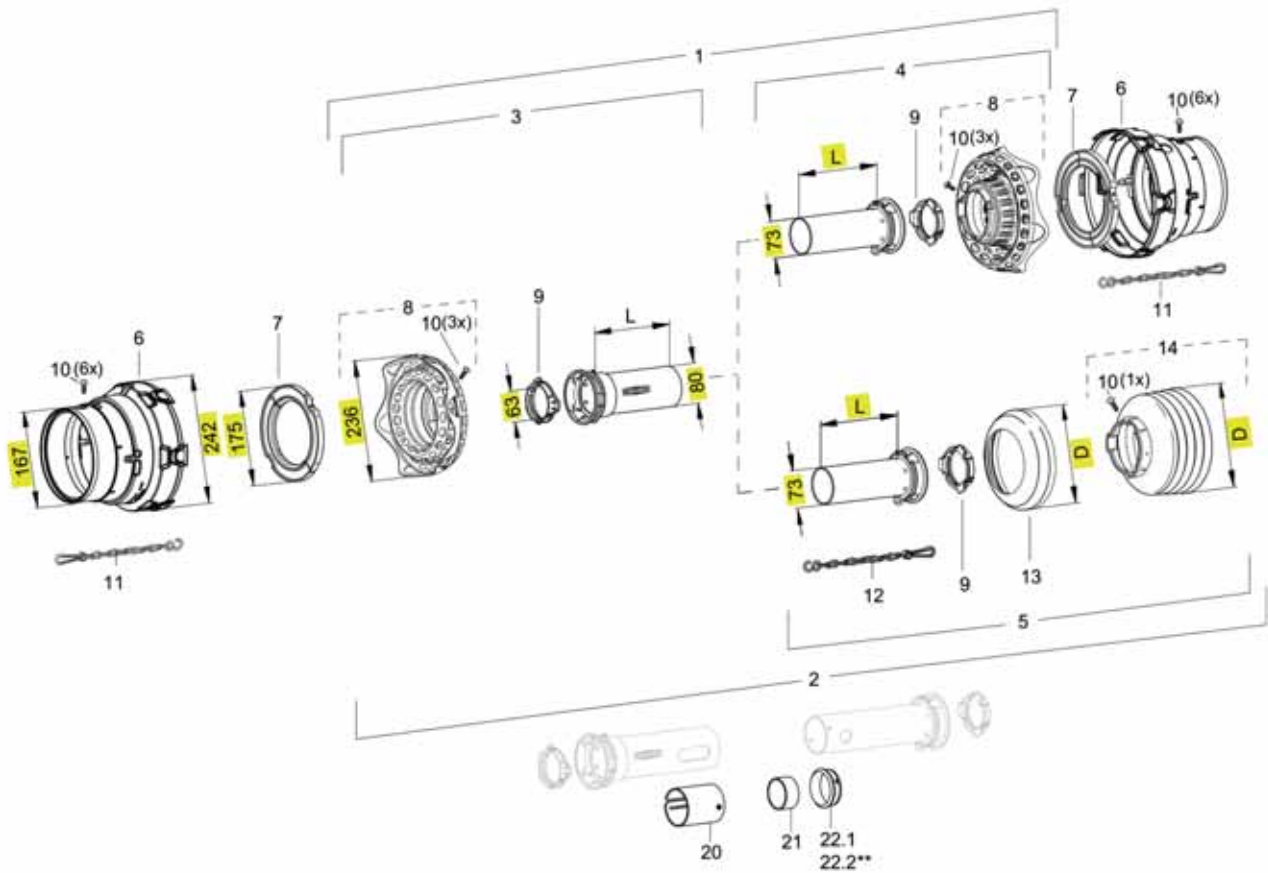


SAFETY GUARD SD 25



Nr	L	GKN	BEPCO
3	1000 mm	1368518	B99424
3	1500 mm	1368761	B99429
4	1000 mm	1368516	B99423
4	1500 mm	1368519	P852507
6	222 x 188	1172717	B99239
7	175	1172715	P672715
9		1087276	P087276
11	600 mm	1382078	P682078
12	400 mm	1044321	P604321

SAFETY GUARD SDF 25



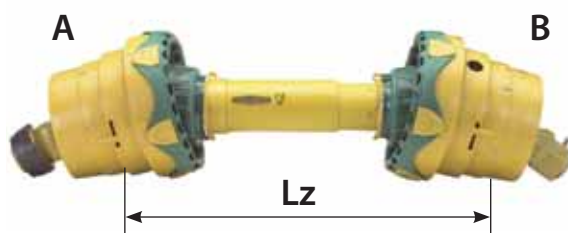
Nr	L	GKN	BEPCO
1	1000 mm	1116474	P616474
2	1000 mm	1136737	P636737
3	1000 mm	1116475	B99116
3	1500 mm	1116582	P852562
4	1000 mm	1116476	B99117
4	1500 mm	1116597	B99122
5	1000 mm	1368516	B99423
5	1500 mm	1368519	P852507
6	242 x 186	1129928	P629928
7	175	1172715	P672715
8	236	1134847	B57410
9		1087276	P087276
11	600 mm	1382078	P682078
12	400 mm	1044321	P604321

SERIES WWE 2580 - TUBE S4GA/S5



LZ	A	B	GKN	BEPCO
860	1.3/8" - 6	1.3/4" - 6	1692129	B99462
1210	1.3/8" - 6	1.3/8" - 6	1113153	P622580

SERIES WWZ 2580 - TUBE S4GA/S5



LZ	A	B	GKN	BEPCO
1210	1.3/8" - 6	1.3/8" - 6	1113174	B99068

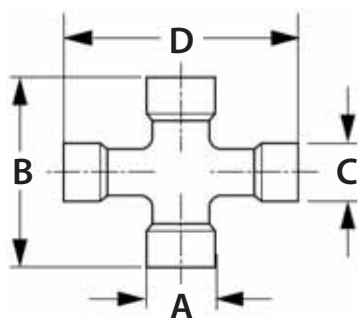


SERIES WWH 2580 - HALF DRIVE SHAFT



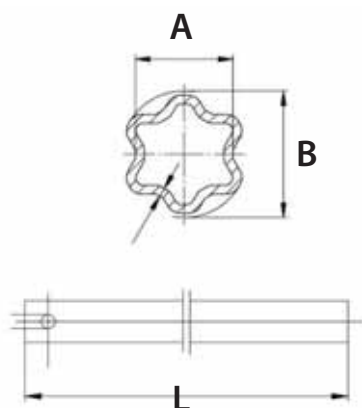
L	Tube	GKN	BEPCO
1114	S4GA	1113199	B99075

UNIVERSAL JOINT



Nr	A x B	C x D	GKN	BEPCO
1	36 x 89	32 x 106	1334109	P620600
2	36 x 89	32 x 106	1120247	B99130
3	36 x 89	32 x 106	1116497	P116497
4	36 x 89	32 x 106	1116502	B99118

STAR TUBE



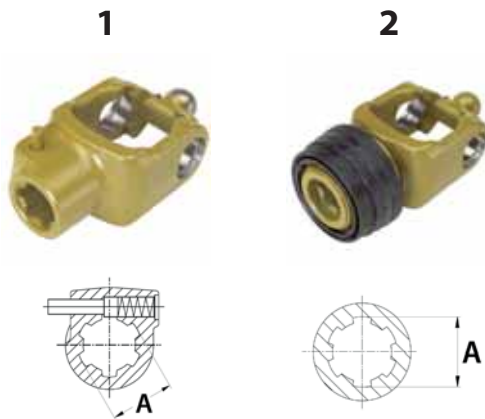
Type	L	A	B	GKN	BEPCO
S4GA	1000	37	51	1699743	B99473
S4GA	1400	37	51	1699744	B97736
S5	1000	47	61	1017660	P017660
S5	1400	47	61	1134935	P134935
S5	2900	47	61	1045639	P012246

COMPLETE JOINT



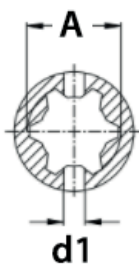
Nr	A	B	GKN	BEPCO
1	1.3/8" - 6	RG - S4	1113319	P138969
1	1.3/4" - 20	RG - S4	1113321	B52930
2	1.3/8" - 6	RG - S5	1113309	B99098

EXTERNAL YOKE



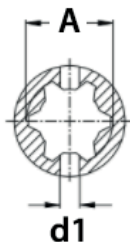
Nr	A	GKN	BEPCO
1	1.3/8" - 6	1136919	B99203
1	1.3/8" - 21	1136920	B99993
1	1.3/4" - 6	1136921	B99204
1	1.3/4" - 20	1136922	B99205
2	1.3/8" - 6	1136961	P636961
2	1.3/8" - 21	1136962	B99206
2	1.3/4" - 6	1136963	B99207
2	1.3/4" - 20	1136964	B99208

INTERNAL YOKE



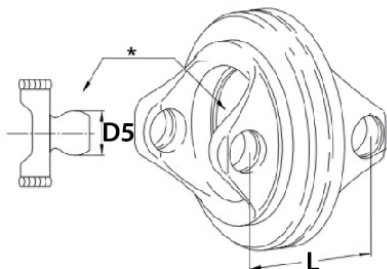
A	d1	GKN	BEPCO
S4	10	1135294	B99994
S5	10	1135295	B99187

INTERNAL YOKE



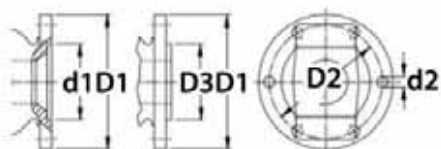
A	d1	GKN	BEPCO
S4	10	1133993	B75482

WIDE-ANGLE DOUBLE YOKE 80°



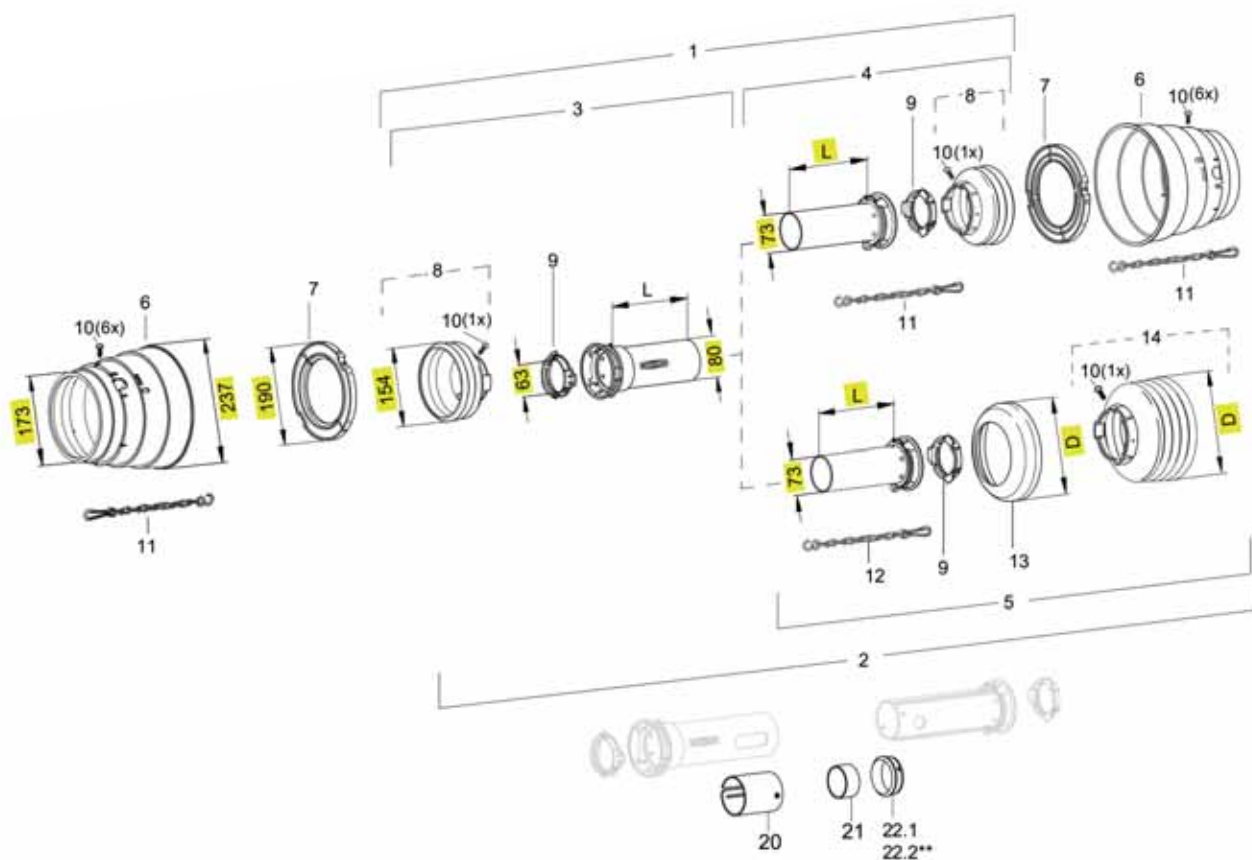
L	D5	GKN	BEPCO
118	30	1365725	B99998

YOKE WITH FLANGE



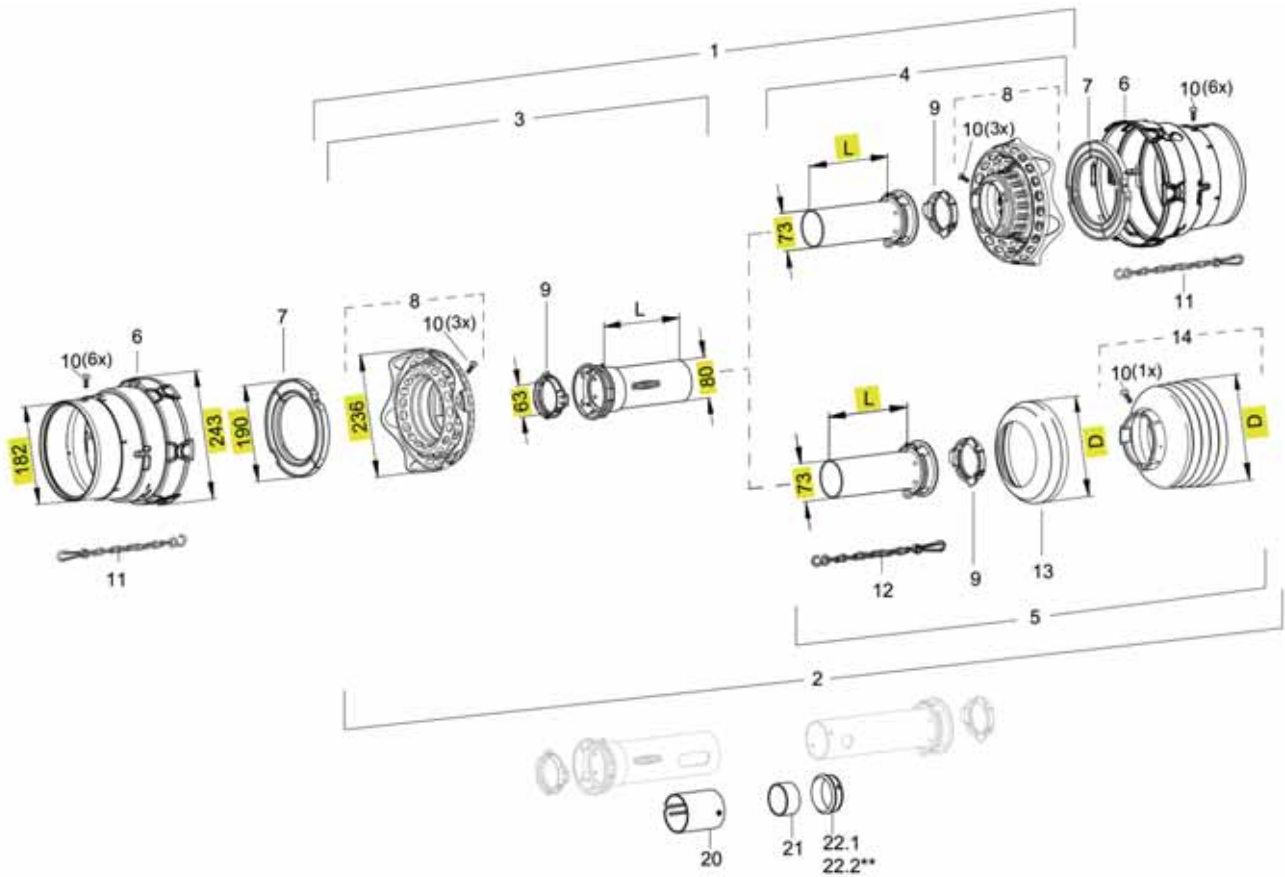
Nr holes	D3 x D1	d2 x D2	GKN	BEPCO
12	98 x 160	12,2 x 138	1136983	B99212

SAFETY GUARD SD 25



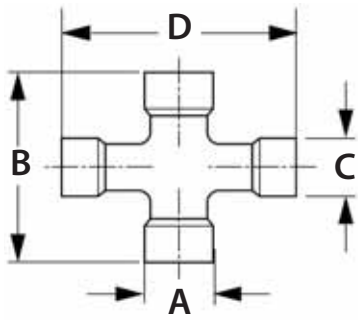
Nr	L	GKN	BEPCO
3	1000 mm	1368518	B99424
3	1500 mm	1368761	B99429
4	1000 mm	1368516	B99423
4	1500 mm	1368519	P852507
6	237 x 201	1172718	B99240
7	190	1172716	P672716
9		1087276	P087276
11	600 mm	1382078	P682078
12	400 mm	1044321	P604321

SERIES W2580 - SAFETY GUARD SDF 25



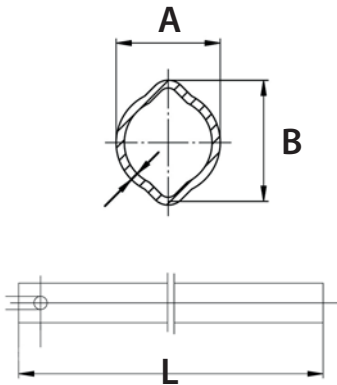
Nr	L	GKN	BEPCO
1	1000 mm	1116474	P616474
2	1000 mm	1136737	P636737
3	1000 mm	1116475	B99116
3	1500 mm	1116582	P852562
4	1000 mm	1116476	B99117
4	1500 mm	1116597	B99122
5	1000 mm	1368516	B99423
5	1500 mm	1368519	P852507
6	243 x 203	1129929	P629929
7	190	1172716	P672716
8	236	1134847	B57410
9		1087276	P087276
11	600 mm	1382078	P682078
12	400 mm	1044321	P604321

UNIVERSAL JOINT



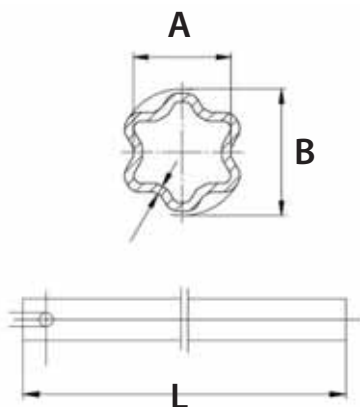
Nr	A x B	C x D	GKN	BEPCO
1	32 x 76	27 x 94	1135077	P135077
2	32 x 76	27 x 94	1135078	B99186

LEMON TUBE



Type	L	A	B	GKN	BEPCO
1bGA	1000	39,5	49	1135895	P135898
1bGA	1400	39,5	49	1135896	P135896
2aG	1000	48	57,5	1135897	P135897
2aG	1400	48	57,5	1135898	P135898

STARTUBE



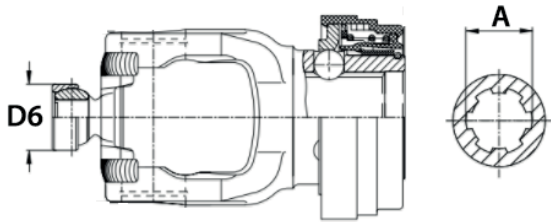
Type	L	A	B	GKN	BEPCO
S4LGA	1000	37	51	1134936	P134936
S4LGA	1400	37	51	1134937	P134937
S5	1000	47	61	1017660	P017660
S5	1400	47	61	1134935	P134935
S5	2900	47	61	1045639	P012246

COMPLETE JOINT



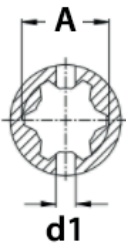
Nr	A	B	GKN	BEPCO
1	1.3/8" - 6	RG - 1b	1113322	B99103
1	1.3/4" - 20	RG - S4	1113323	B99104

EXTERNAL YOKE



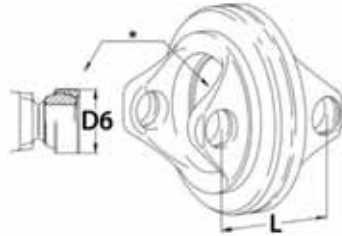
D6	A	GKN	BEPCO
33	1.3/8" - 6	1133910	B99170
33	1.3/8" - 21	1133912	B99171
33	1.3/4" - 6	1137014	B99215
33	1.3/4" - 20	1137016	B99216

INTERNAL YOKE



A	d1	GKN	BEPCO
1b	10	1134537	B99176
2a	10	1133909	B99169
S4	10	1133905	B99167
S5	10	1133906	B99168

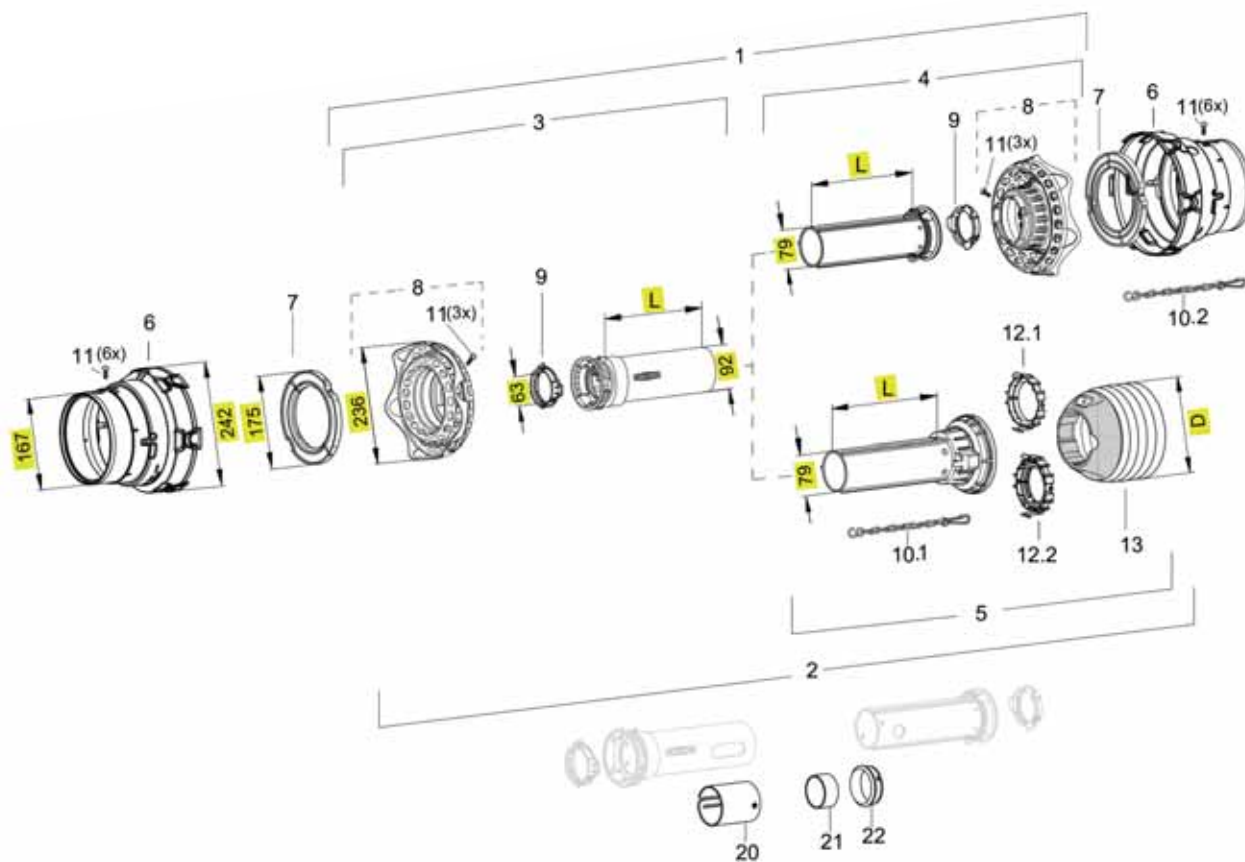
WIDE-ANGLE DOUBLE YOKE 80°



L	D6	GKN	BEPCO
104	33	1128854	B99146

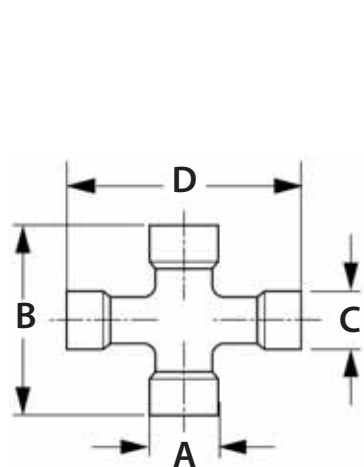


SAFETY GUARD SPF 25 - SPGF 20



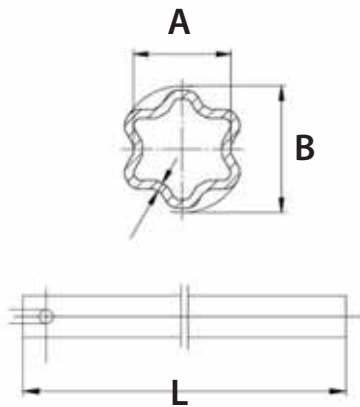
Nr	L	GKN	BEPCO
3	1000 mm	1136363	B99194
3	1500 mm	1136364	B99195
4	1000 mm	1136365	B99196
4	1500 mm	1136366	B99197
5	1000 mm	1116127	B99110
6	242 x 186	1129928	P629928
7	175	1172715	P672715
8	236	1134847	B57410
9		1087276	P087276
10.1	400 mm	1044321	P604321
10.2	600 mm	1382078	P682078
12.1	PG 20	1117229	P862000
12.2	PG 25	1139178	B99220

SERIES P580 - UNIVERSAL JOINT



Nr	A x B	C x D	GKN	BEPCO
1	36 x 89	27 x 94	1116497	P116497
2	36 x 89	27 x 94	1116502	B99118

STAR TUBE



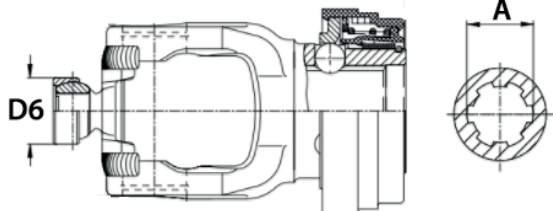
Type	L	A	B	GKN	BEPCO
S4GA	1000	37	51	1699743	B99473
S4GA	1400	37	51	1699744	B97736
S5	1000	47	61	1017660	P017660
S5	1400	47	61	1134935	P134935
S5	2900	47	61	1045639	P012246

COMPLETE JOINT



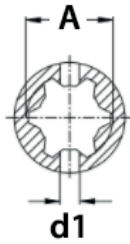
Nr	A	B	GKN	BEPCO
1	1.3/8" - 6	RG - S4	1113326	B99105
1	1.3/8" - 21	RG - S4	1113327	B99106
1	1.3/4" - 20	RG - S4	1113328	B99107

EXTERNAL YOKE



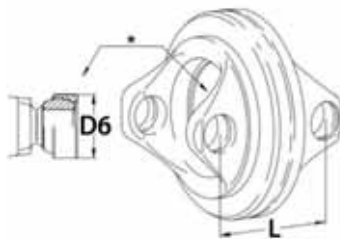
D6	A	GKN	BEPCO
39	1.3/8" - 6	1136908	B99202
33	1.3/8" - 21	1136965	B99209
33	1.3/4" - 6	1136966	B99210
33	1.3/4" - 20	1136967	B99211

INTERNAL YOKE



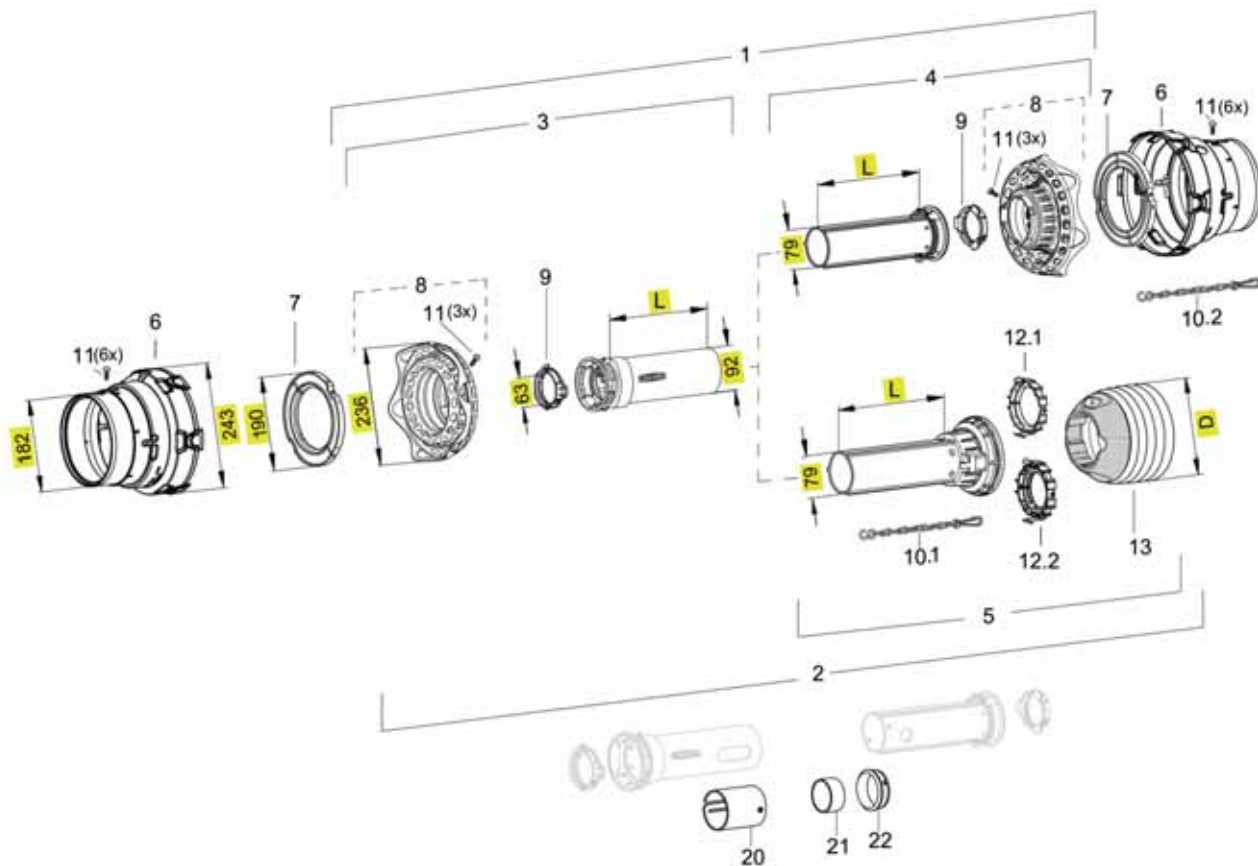
A	d1	GKN	BEPCO
S4	10	1133990	B99172
S5	10	1133991	B99173

WIDE-ANGLE DOUBLE YOKE 80°



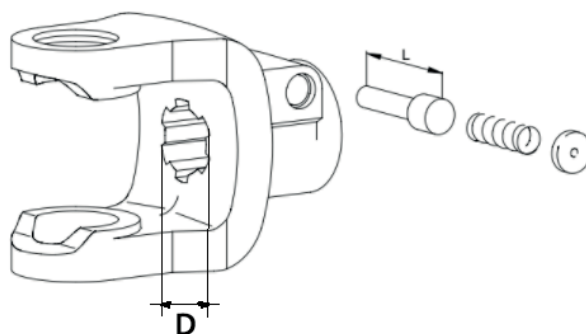
L	D6	GKN	BEPCO
118	39	1128696	B99145

SAFETY GUARD SPF 25 - SPGF 20



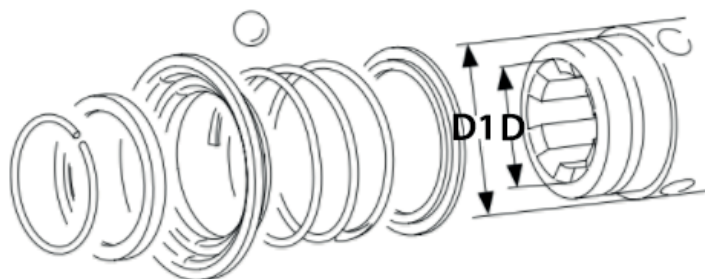
Nr	L	GKN	BEPCO
3	1000 mm	1136363	B99194
3	1500 mm	1136364	B99195
4	1000 mm	1136365	B99196
4	1500 mm	1136366	B99197
5	1000 mm	1116127	B99110
6	243 x 203	1129929	P629929
7	190	1172716	P672716
8	236	1134847	B57410
9		1087276	P087276
10.1	400 mm	1044321	P604321
10.2	600 mm	1382078	P682078
12.1	PG 20	1117229	P862000
12.2	PG 25	1139178	B99220

DISCONNECTION YOKE PIN



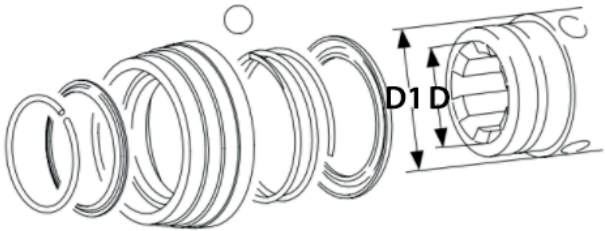
D	L	GKN	BEPCO
1.1/8", 1.3/8", 6x21x25	45	1339107	P012504
1.3/4"	54,5	1339302	B99328
1.3/8", 6x21x25	28	1170515	B99237
1.1/8", 1.3/8", 6x21x25	53	1339106	P012501

QUICK LOCK AZGE



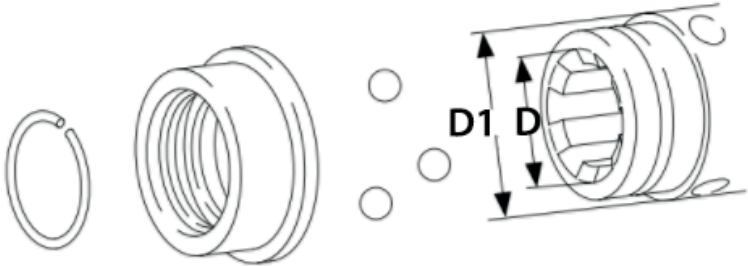
D	D1	GKN	BEPCO
1.3/8"	54	1136059	P136059

QUICK LOCK AZGE



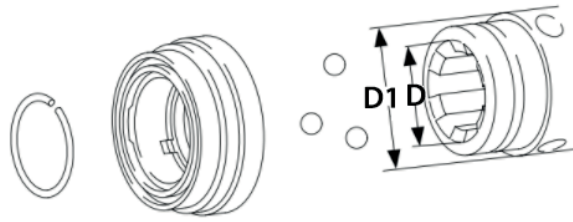
D	D1	GKN	BEPCO
1.3/8"	54	1135048	P014172

QUICK LOCK ASG



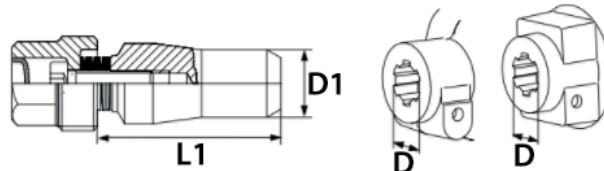
D	D1	GKN	BEPCO
1.3/8"	54	1381908	B99450
1.3/8"	67	1364915	B99376
1.3/4"	67	1364916	B99377

QUICK LOCK AUTOMATIC QSG



D	D1	GKN	BEPCO
1.1/8"	54	1376104	B99439
1.3/8"	54	1376105	P014122
1.3/8"	67	1376106	P014123
1.3/4"	67	1376107	P012124

QUICK LOCK CC



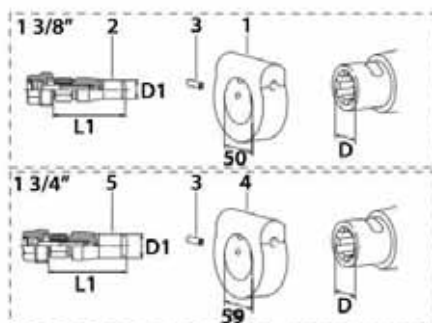
D	D1	L1	GKN	BEPCO
1.3/8"	12,5	38,5	1107540	P625206
1.3/4"	15,8	43	1107542	P625208

QUICK LOCK AUTOMATIC ZV



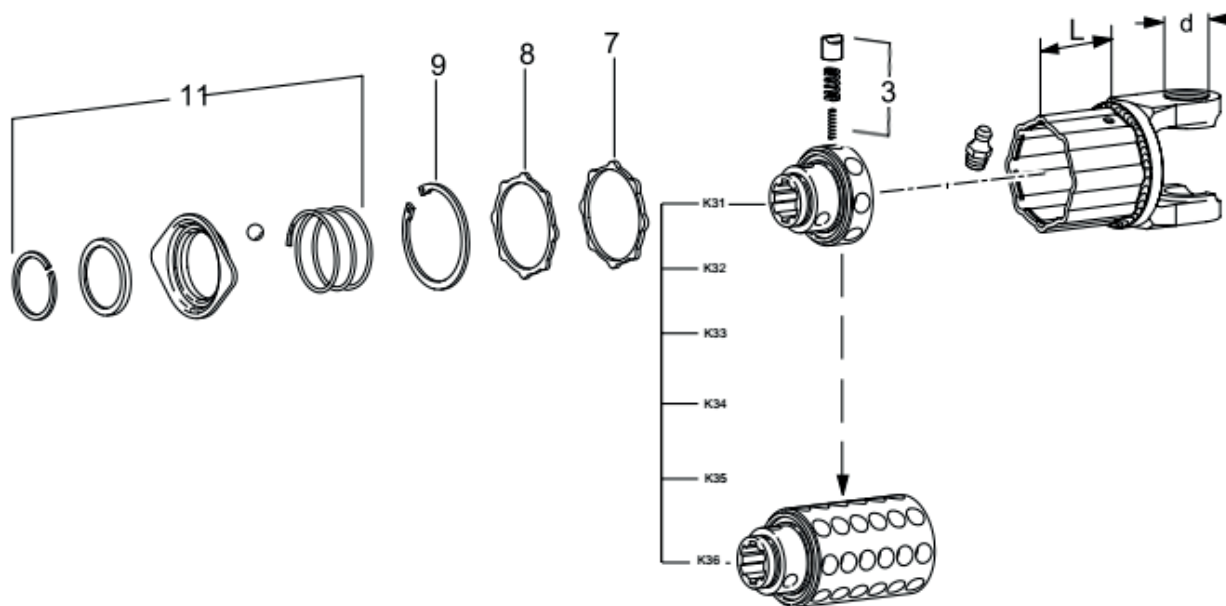
D	D1	GKN	BEPCO
1.1/8"	54	1376110	P014127
1.3/8"	54	1341953	P014108

QUICK LOCK AUTOMATIC CC



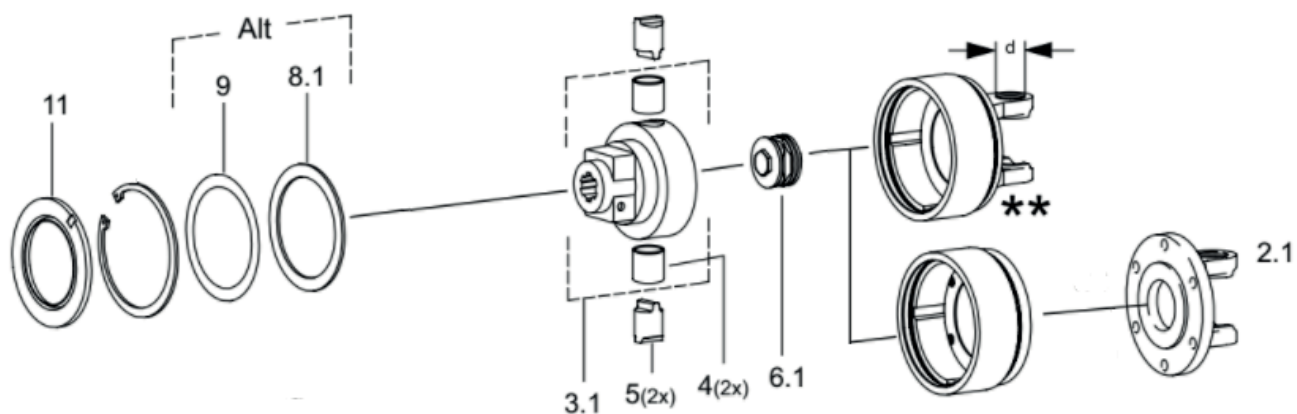
Nr	D	L1	GKN	BEPCO
1	1.3/8"		1193561	B99266
2	1.3/8"	48,5	1108494	P625210
4	1.3/4"		1193562	B99267
5	1.3/4"	53	1108493	B99031

STAR CAM LIMITER K31-32-33-34-35-36



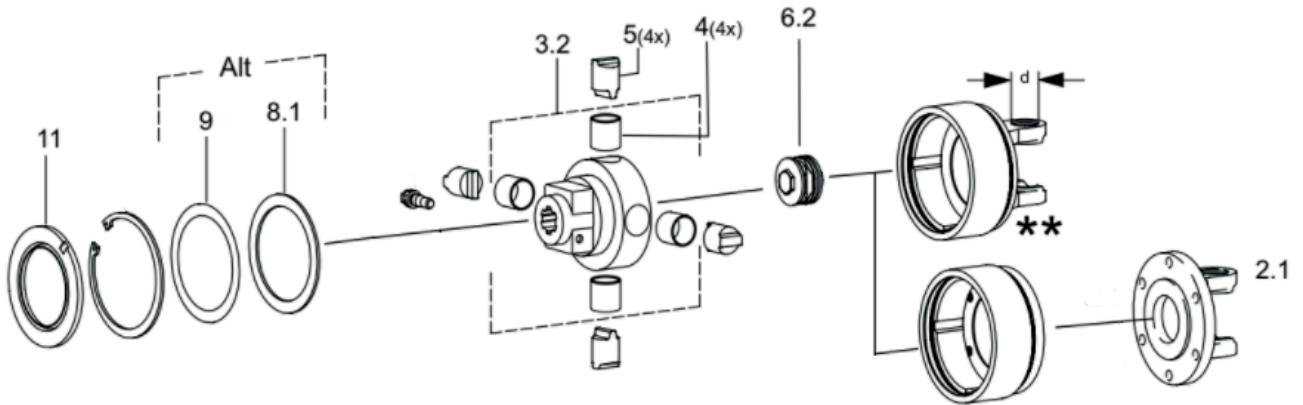
Nr	GKN	BEPCO	Nr	GKN	BEPCO
3	1341951	P014106	8	1042104	B98995
3	1341952	P014109	9	1020707	B33453
7	1044986	B99000	11	1341953	P014108

CAM LIMITER K64/22 - EK64/22



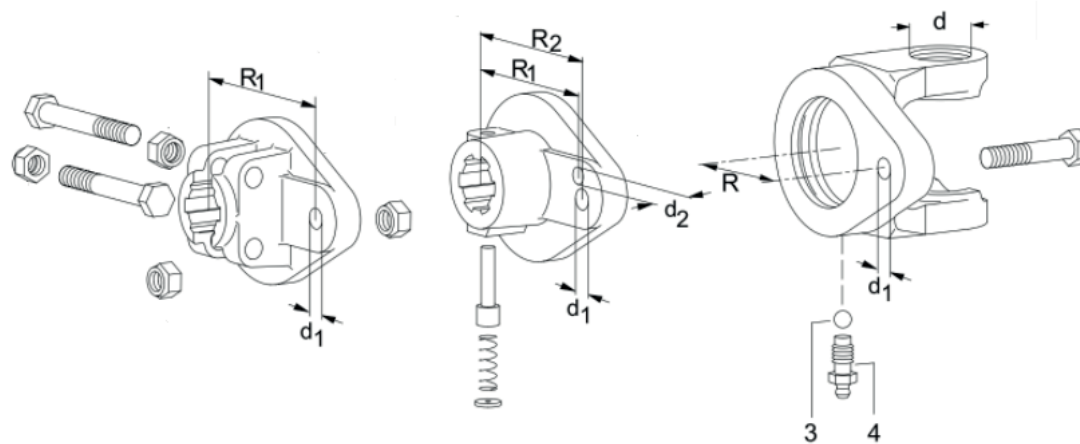
Nr	Dimensions	GKN	Bepco	Nr	DaNm	GKN	BEPCO
2.1	TK118 - W2400	1325556	B99297	8.1	120x150x3,5	1364621	B99374
2.1	TK138 - W2400	1320699	B93783	9	120x150	1116143	B99113
2.1	TK138 - W2500	1317807	B57934	11		1161459	B80542
2.1	TK138 - W2600	1334661	B97310	6.1	150	1129938	B99155
3.1	1.3/8" - 6	1129672	B99147	6.1	165	1129939	B99156
3.1	1.3/4" - 6	1128510	B57871	6.1	180	1129940	B99157
3.1	1.3/4" - 20	1128560	B99144	6.1	200	1129941	B99158
4	35x39x35	1128519	B99142	6.1	220	1129942	B99159
5	Ø 35	1127120	B57870	6.1	250	1134859	B99183

CAM LIMITER K64/24 - EK64/24



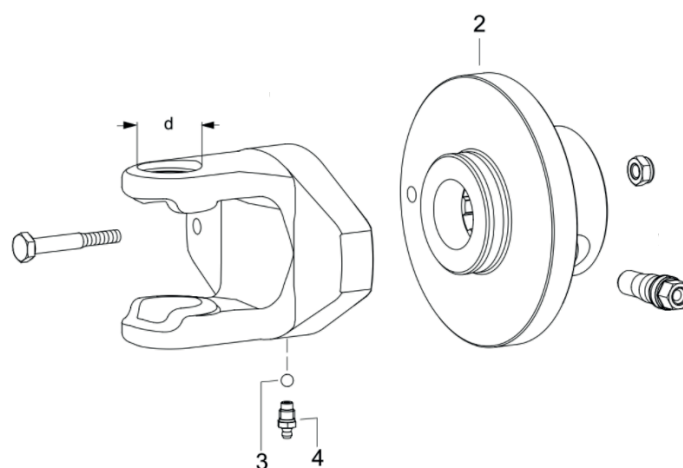
Nr	Dimensions	GKN	BEPCO	Nr	DaNm	GKN	BEPCO
2.1	TK138 - W2500	1317807	B57934	11		1161459	B80542
2.1	TK138 - W2600	1334661	B97310	6.2	250	1128477	B99140
2.1	TK138 - W2700	1170049	B99235	6.2	270	1129841	B99148
3.2	1.3/4" - 6	1128509	B99141	6.2	290	1129842	B99149
3.2	1.3/4" - 20	1128559	B99143	6.2	320	1129843	B99150
4	35x39x35	1128519	B99142	6.2	350	1129844	B99151
5	Ø 35	1127120	B57870	6.2	380	1136720	B99199
8.1	120x150x3,5	1364621	B99374	6.2	450	1134706	B99179
9	120x150	1116143	B99113				

SHEAR BOLT CLUTCH KB61/20



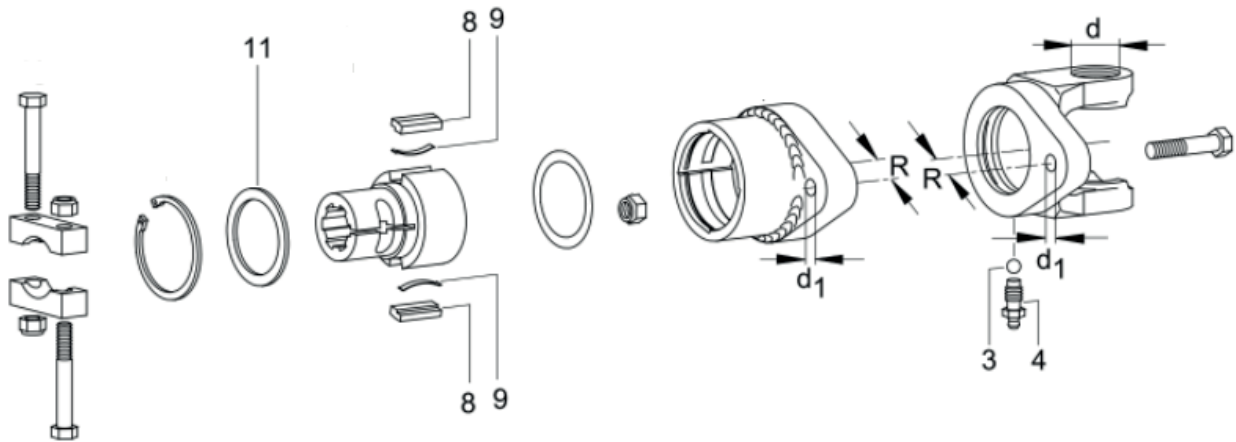
Nr	GKN	BEPCO
3	1099601	B99014
4	1137955	B99217

SHEAR BOLT CLUTCH KB61/30



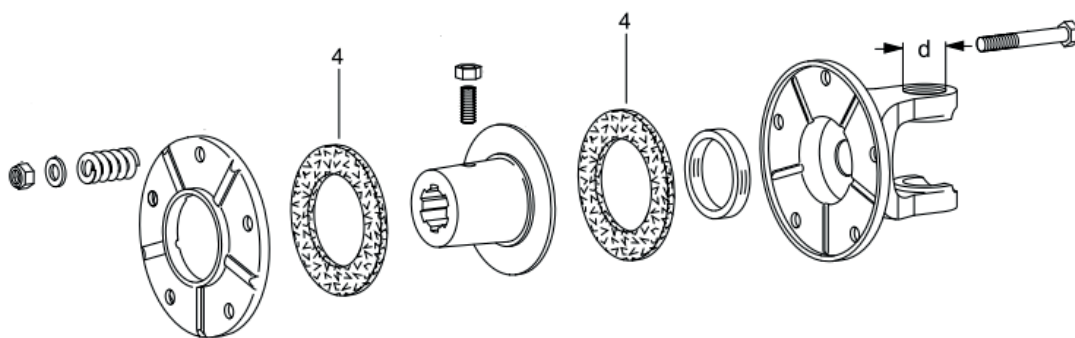
Nr	Dimensions	GKN	BEPCO
2	1.3/4" - 6	1346423	B99341
2	1.3/4" - 20	1354296	B99354
3	5/16"	1099601	B99014
4	AM10	1137955	B99217
7	15,8 x 43	1107542	P625208

SHEAR BOLT CLUTCH WITH OVER RUN CLUTCH FKB61/20



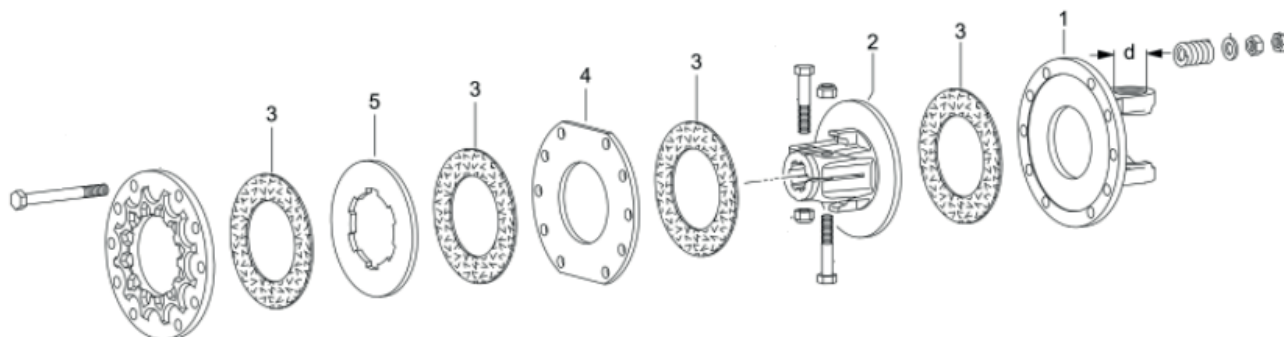
Nr	GKN	BEPCO
3	1099601	B99014
4	1137955	B99217
8	1348133	B99344
9	1348132	B99343
11	1304235	B99283

FRICITION CLUTCH K94/1



Nr	Dimensions	GKN	BEPCO
4	56 x 90 x 4,5	1177010	P601351

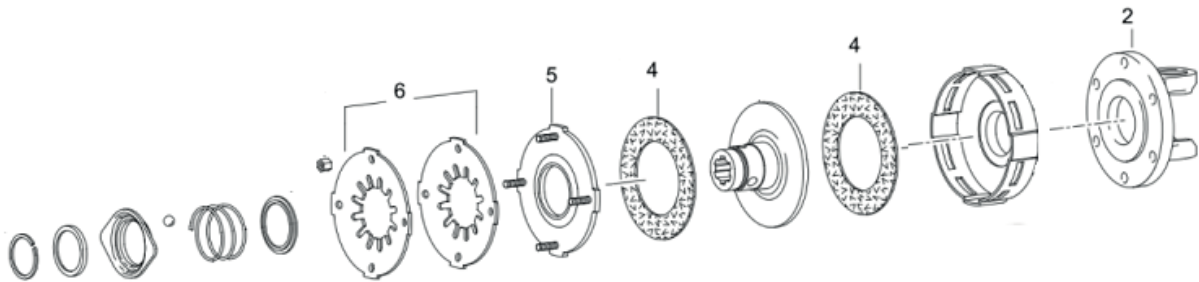
FRICION CLUTCH K90/4



Nr	Dimensions	GKN	BEPCO
1	W2400	1335604	B99318
1	W2500	1335605	B99319
1	W2600	1335606	B99320
2	1.3/8" - 6	1320497	B99286
2	1.3/8" - 21	1338232	B99323

Nr	Dimensions	GKN	BEPCO
2	1.3/4" - 6	1328444	B99300
2	1.3/4" - 20	1338233	B99324
3	91 x 150 x 3	1168556	P627308
4	189 x 91 x 7	1335603	B99317
5	151,5 x 80,5	1335442	B99315

FRICITION CLUTCH EK92

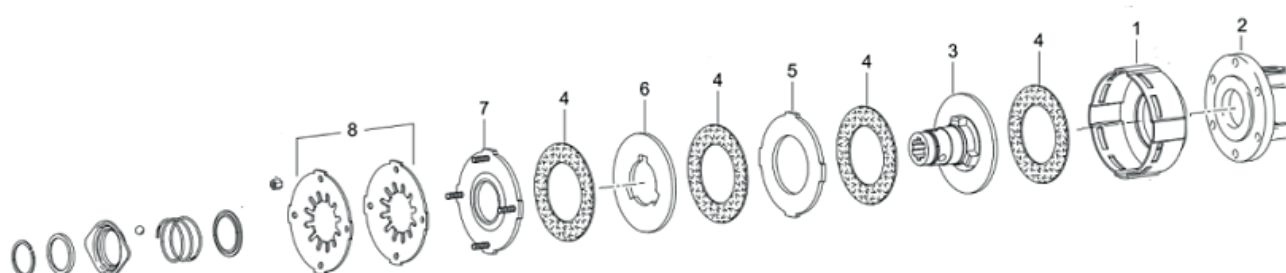


Nr	Dimensions	GKN	BEPCO	daNm	Colour
2	W2200	1041321	B98978	20	Green
2	W2300	1023469	B98959	30	White
2	W2400	1023469	B98959	45	Red
4	91 x 150 x 3	1168556	P627308	55	White + Green
5		1381495	B99449	65	White + White
6	Green	1045560	B99001	75	White + Red
6	White	1043487	B98998	90	Red + Red
6	Red	1043489	B98999	100	Red + Blue
6	Blue	1110063	B99033		
8		1341953	P014108		

CALIBRATION (TARE) CLUTCH TABLE EK92

Built-in springs clutches daNm	20	30	45	55	65	75	90	100
GKN BEPCO Colour	1045560 B99001 1x Green	1043487 B98998 1x White	1043489 B98999 1x Red	1043487 B98998 1x White	1043487 B98998 1x White	1043487 B98998 1x White	1043489 B98999 1x Red	1043489 B98999 1x Red
GKN BEPCO Colour				1045560 B99001 1x Green	1043487 B98998 1x White	1043489 B98999 1x Red	1043489 B98999 1x Red	1110063 B99033 1x Blue

FRICITION CLUTCH EK92/4

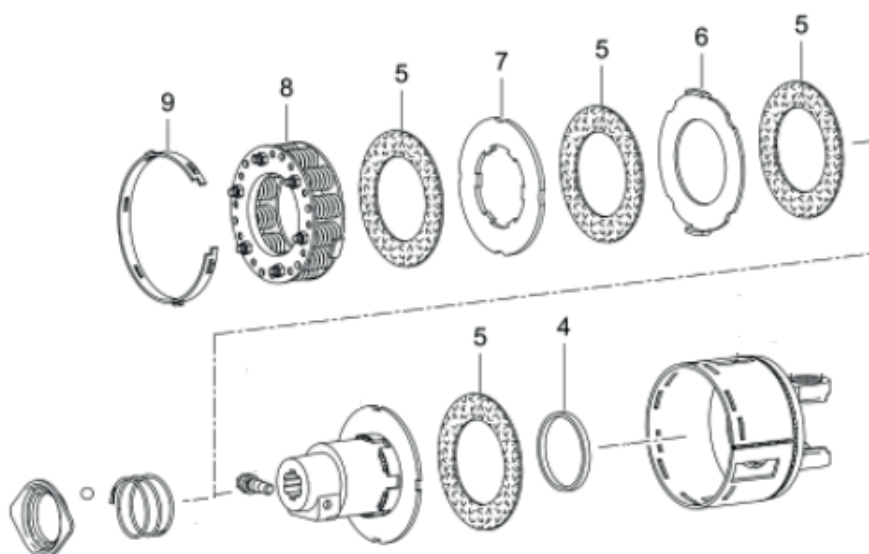


Nr	Dimensions	GKN	BEPCO	daNm	Colour
2	TK118 - W2300	1082883	B99008	95	Green + White
2	TK 118 - W2400	1325556	B99297	105	Yellow + White
2	TK 138 - W2400	1320699	B93783	120	Red + Green
3	1.3/8" - 6	1051554	P627308	135	Yellow + Red
3	1.3/8" - 21	1051555	B99003	150	White + Red
4	91 x 150 x 3	1168556	P627308		
5		1042454	B98996		
6		1042459	B98997		
7		1381495	B99449		
8	Green	1045560	B99001		
8	White	1043487	B98998		
8	Red	1043489	B98999		
8	Yellow	1088193	B99013		

CALIBRATION (TARE) CLUTCH TABLE EK92/4

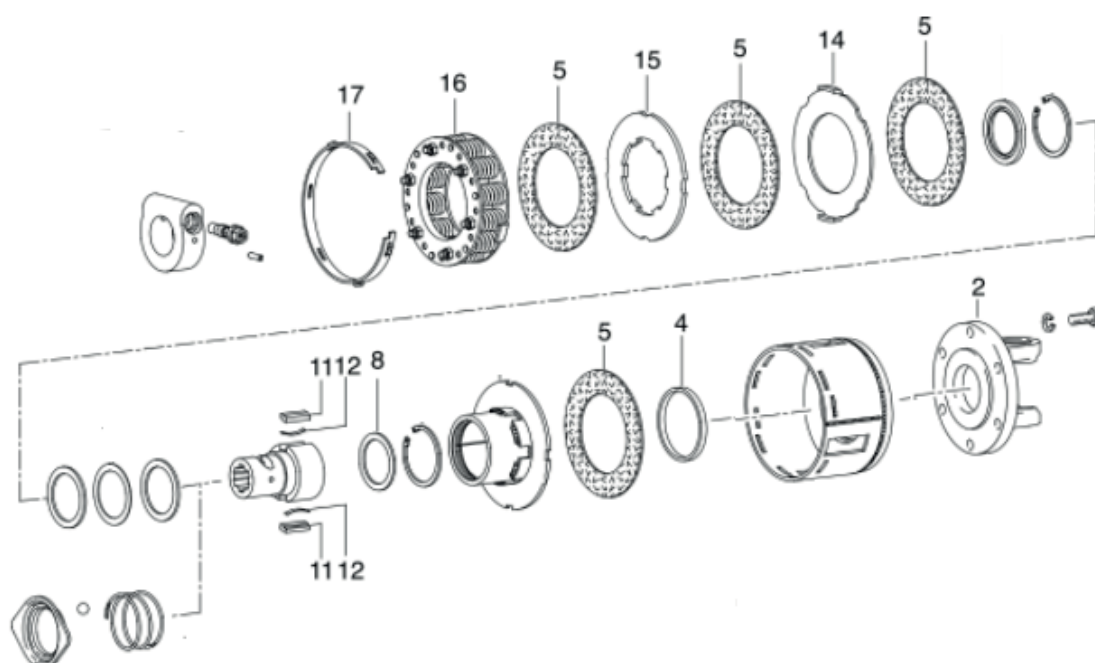
Built-in springs clutches daNm	65	75	80	95	105	120	135	150
GKN BEPCO Colour	1045560 B99001 2x Green	1045560 B99001 2x Green	1045560 B99001 2x Green	1045560 B99001 1x Green	1088193 B99013 1x Yellow	1043489 B98999 1x Red	1088193 B99013 1x Yellow	1043487 B98998 1x White
GKN BEPCO Colour	1045560 B99001 2x Green	1045560 B99001 1x Green	1088193 B99013 1x Yellow	1043487 B98998 1x White	1043487 B98998 1x White	1045560 B99001 1x Green	1043489 B98999 1x Red	1043489 B98999 1x Red

FRICTION CLUTCH K96/4



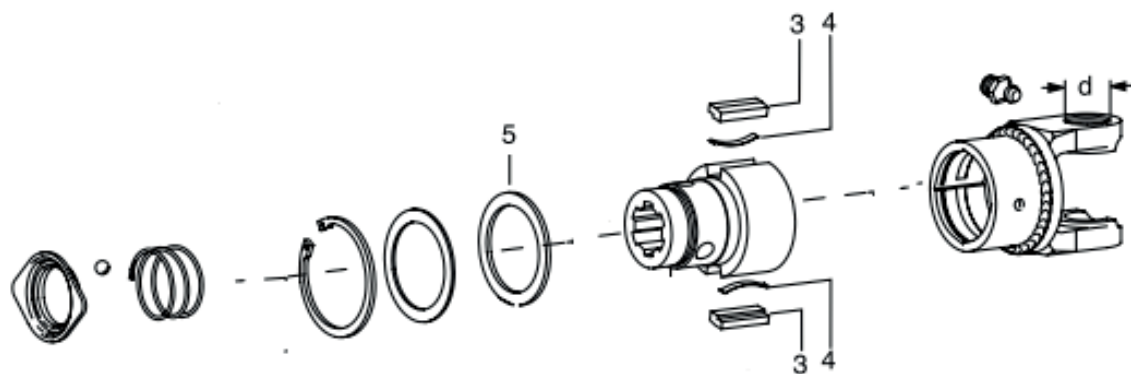
Nr	Dimensions	GKN	BEPCO	Nr	daNm	GKN	BEPCO
4	84,4x92,4x8	1367718	B99419	8	40/80	1171285	B99238
5	100x157x3	1177009	P627312	8	50/100	1377677	B99447
6		1367726	B99422	8	60/120	1377675	B99446
7		1367725	B99421	8	75/150	1377673	B99445
9		1367720	B99420	8	90/180	1377671	B99443
				8	105/210	1377672	B99444

FRICITION CLUTCH EFK96/4



Nr	Dimensions	GKN	BEPCO	Nr	daNm	GKN	BEPCO
2	W2400	1320699	B93783	16	40/80	1171285	B99238
2	W2500	1317807	B57934	16	50/100	1377677	B99447
4	84,4x92,4x8	1367718	B99419	16	60/120	1377675	B99446
5	100x157x3	1177009	P627312	16	75/150	1377673	B99445
8	56x72x3	1304235	B99283	16	90/180	1377671	B99443
11	13x7x49,5	1331737	B99306	16	105/210	1377672	B99444
12	48x5	1332185	B99309				
14		1367726	B99422				
15		1367725	B99421				
17		1367720	B99420				

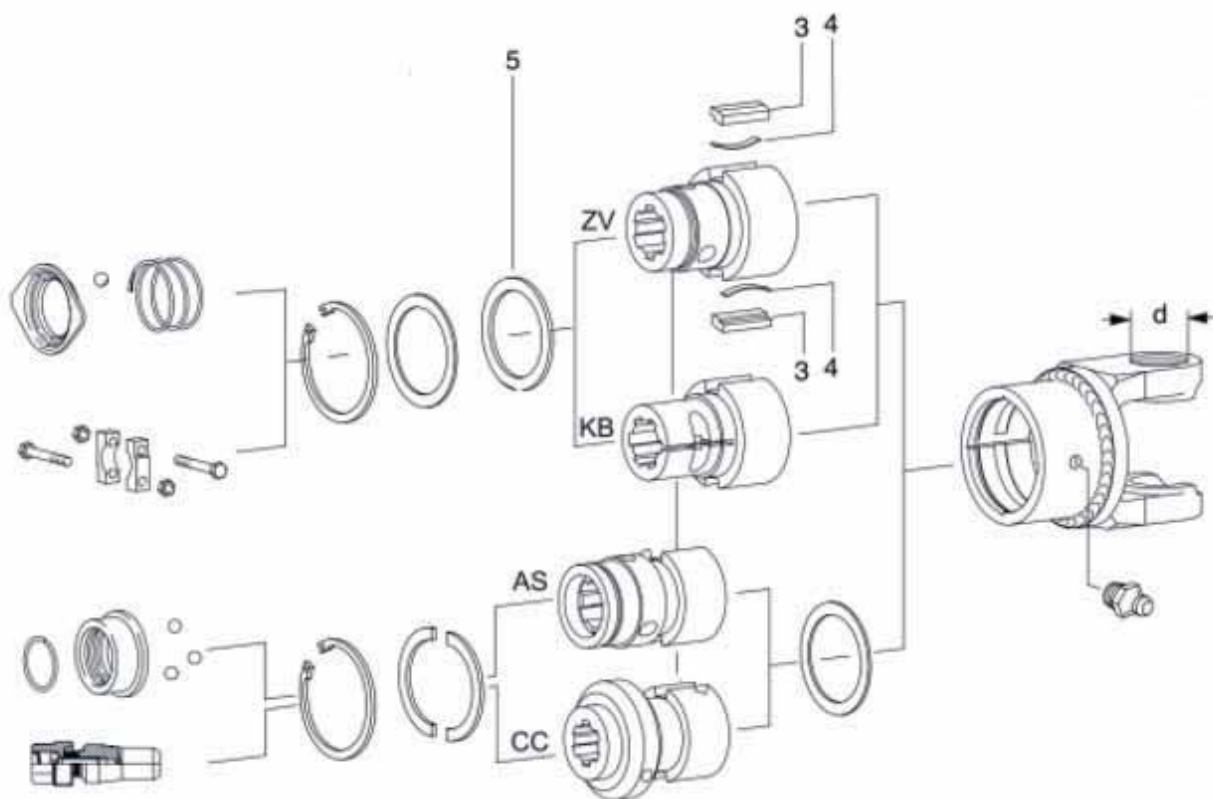
OVER RUN CLUTCH F5/1



Nr	Dimensions	GKN	BEPCO
3	13 x 7 x 38	1348133	B99344
4	36 x 5	1348132	B99343
5	56 x 72	1304235	B99283



OVER RUN CLUTCH F5/2



Nr	Dimensions	GKN	BEPCO
3	13 x 7 x 61,5	1377190	B99440
4	48x5	1332185	B99309
5	56 x 72 x3	1304235	B99283

OUR DELIVERY SERVICE



We supply our customers throughout Europe and around the world via our main warehouses in France, Belgium and the UK. We also operate from our warehouses in Spain, Australia, New Zealand, South Africa and Brazil.

In many markets, we offer next day delivery service for all orders placed between 8 am and 6 pm.

With more than 40,000 m² of warehouses and more than 110,000 items in stock, we are able to timely deliver quality parts to our customers - irrespective of their location in the world - regardless of the brand or the age of the machine.



OUR E-COMMERCE

Our E-commerce is the ideal solution to find the desired parts at any time of the day, 7 days a week



We offer our customers several types of search options to find the right part:

- + OEM or manufacturer number
- + Description
- + Tractor or engine model

We are constantly developing our E-commerce platform with new products and new offers in order to improve your everyday use. The clear product images, the precise technical details and the global applications make it easier to find.

To learn more about Bepco and to find out how we can help you, feel visit us online or contact a member of our local sales team.

www.bepcoparts.com



**BEPKO PARTS SA****HERMALLE-SOUS-HUY**

Rue Chaumont, 4D • 4480 Hermalle-sous-Huy • Belgique
T +32 85 24 54 00 • F +32 85 24 54 50
info.be@bepcoparts.com • www.bepcoparts.com

VILLERS-LE-BOUILLET

Rue de Waremme, 114 • 4530 Villers-le-Bouillet • Belgique
T +32 85 24 54 00 • F +32 85 24 54 50
info.be@bepcoparts.com • www.bepcoparts.com

**BEPKO UK LTD**

Bepco House • Unit 316 • Hartlebury Trading Estate
Hartlebury - Worcestershire, DY10 4JB (UK)
P +44 (0)1299 252270 • F 0800 216553
info.uk@bepcoparts.com • www.bepcoparts.com

**BEPKO FRANCE SAS**

Z.I. La Plaine, Allée de Bigorre
BP80041 Le Passage • 47901 Agen Cedex 9 • France
T +33 (0)5 53 96 31 25 • F +33 (0)5 53 68 03 72
info.fr@bepcoparts.com • www.bepcoparts.com

VILLENEUVE-SUR-LOT

294 Av. de Bordeaux • CS 30059 Bias
FR-47302 Villeneuve sur lot • France
T +33 (0)5 53 40 37 50 • F +33 (0)5 53 70 61 93

JANZÉ

P.A. de la Chauvelière • Rue Charles Lindbergh, 21
35150 JANZE • France
T + 33 (0)2 99 44 16 18 • F +33 (0)2 99 44 17 29

**BEPKO DEUTSCHLAND GmbH**

Nelmannwall 4 • 59494 Soest • Germany
T +49 (0)2927 919 59 0 • F +49 (0)2927 919 59 59
info.de@bepcoparts.com • www.bepcoparts.com

**BEPKO NEDERLAND BV**

Den Dolvert 10 • 5473 GP, Heeswijk-Dinther • Nederland
T +31 (0)413 29 39 75 • F +31 (0)413 29 40 87
info.nl@bepcoparts.com • www.bepcoparts.com

**BEPKO IBÉRICA SA**

C/ Torrent de Vallmajor, 82
08915 Badalona (Barcelona) • España
T +34 902 111 062 - 933 810 062 • F +34 933 813 345
info.es@bepcoparts.com • www.bepcoparts.com

SANTIAGO DE COMPOSTELA

Pol. El Tambre, Vía Faraday, 36
15890 Santiago de Compostela • España
T +34 902 111 062 - 981 560 012
F +34 981 557 753

ALMENDRALEJO

Ctra. Badajoz - Pol. «Rayvaz» Nave 21
06200 Almendralejo (Badajoz) • España
T +34 902 111 062 - 924 664 890
F +34 924 664 576

DOS HERMANAS

Pol. Ind. La Isla, C/ Hornos, 11
41703 Dos Hermanas (Sevilla) • España
T +34 902 111 062 - 954 931 546
F +34 954 930 130

ZARAGOZA

Pol. Ind. Plaza, C/ Pertusa, 29
50197 Zaragoza • España
T +34 902 111 062 - 876 903 874
F +34 876 903 873

PAMPLONA

Polígono Agustinos Calle A Nave D-13
31013 Pamplona (Navarra) • España
T +34 948 312 318
F +34 948 312 341

**TVH POLSKA**

Ul. Murarska 27 • PL-43-100 TYCHY
T +48 324 28 12 81 • F +48 32 428 12 89
sales.poland@tvh.com • www.tvh.com

**BEPKO ROMANIA**

Zona Industriala DIBO • Hala nr.8 • Sat. Negoiesti, Com. Brazi
Jud. Prahova • Romania
T +40 (0)786 53 00 06 • F +40 (0)244 43 42 78

**BEPKO UKRAINE**

Ternopil blast • vul.Gayova 54 • Ternopol 46000 • Ukraine
T +38 (0)676 736 300 • F +38 (0)352 251 726
T +40 (0)786 53 00 06 • F +40 (0)244 43 42 78

**TVH PARTS SOUTH AFRICA (Pty) Ltd****HEAD OFFICE JOHANNESBURG****CAPETOWN**

1 Karee Street • Kraaifontein Industries • Cape Town 7571
T +27 21 988 2432 • F +27 21 988 9127
capetownsales@tvh.com

DURBAN

2 Monaco Place • Westmead • Pinetown 3600
T +27 31 100 0760 • F +27 31 700 6191
durbansales@tvh.com

JOHANNESBURG

90 Electron Avenue • Isando • Kempton Park 1601
T +27 11 281 27 00 • F +011 974 9845
johannesburgsales@tvh.com

LICHTENBURG

Shop 1 • 109 Scholtz Street • Lichtenburg 2740
T +27 18 632 6192/6092 • F +27 18 632 6108
lichtenburgsales@tvh.com

PORT ELIZABETH

134 Kempston Road • Korsten • Port Elizabeth 6020
T +27 41 453 1404/8 • F +27 41 453 1409
portelizabethsales@tvh.com

**TVH AUSTRALASIA PTY LTD****HEAD OFFICE BRISBANE****ADELAIDE**

96 South Terrace • Wingfield SA 5013
Free 1800 182 344 • T +61 8 8359 8933 • F +61 8 8234 2212
BepcoSAsales@tvh.com.au

BRISBANE

735 Boundary Road • Richlands QLD 4077
Free 1800 020 082 • T +61 7 3344 1113 • F +61 7 3344 1332
BepcoQLDsales@tvh.com.au

MELBOURNE

7/66-74 Micro Circuit • Dandenong South VIC 3175
Free 1800 802 367 • T +61 3 9796 5422 • F +61 3 9796 5251
BepcoVICsales@tvh.com.au

PERTH

2/15 Colin Jamieson Drive • Welshpool WA 6106
Free 1800 182 344 • T +61 8 8352 8984 • F +61 8 8234 2212
BepcoWAsales@tvh.com.au

SYDNEY

1/1002-1010 Canley Vale Rd • Wetherill Park NSW 2164
Free 1800 808 827 • T +61 2 6885 5288 • F +61 3 9796 5251
BepcoNSWsales@tvh.com.au

**TVH NEW ZEALAND LTD****AUCKLAND**

PO Box 51490 • Pakuranga 2140
80 Lady Ruby Drive • East Tamaki 2013 • Auckland
Free 0800 459 662 • T +64 9 274 9695 • F +64 9 274 9698
info@tvh.co.nz • www.tvh.com

CHRISTCHURCH

11C Parkhouse Road
Wigram • Christchurch 8042
Free 0508 722 867 • T +64 3 550 1298 • F +64 3 974 9993
infochch@tvh.co.nz

TO VIEW OUR UPDATED CATALOGUES AND COMPANY INFORMATION: WWW.BEPCOPARTS.COM



The spare parts mentioned in this list can normally be delivered from stock. In addition, we can supply parts, which are not mentioned in this catalogue, with the shortest possible delivery time. The O.E.M. references are only for indication purposes and do not imply that the spare parts are coming from the manufacturer. This spare parts list can be modified without prior notice. All photographs, drawings, illustrations, brand names, descriptions and numbers are included for identification purposes only.



De onderdelen vermeld in deze lijst, zijn normaal uit voorraad leverbaar, behoudens uitverkocht. Ook niet-vermelde onderdelen kunnen binnen de kortste tijd uitgeleverd worden. De O.E.M. referenties dienen enkel ter indicatie en impliceren niet dat deze van de vermelde constructeur afkomstig zijn. Deze onderdelenlijst kan zonder enige voorafgaande verwittiging aangepast worden. Alle gebruikte foto's, tekeningen, afbeeldingen, merknamen, omschrijvingen en nummers dienen alleen ter identificatie.



Les pièces de rechange, mentionnées dans cette liste, sont normalement livrables du stock. En plus, les articles non indiqués peuvent être fournis en peu de temps. Cette liste peut être modifiée sans avis préalable. Les références O.E.M. sont seulement indicatives et n'impliquent pas que les pièces de rechange viennent du constructeur. Toutes les photographies, illustrations, marques, descriptions, tous les plans et numéros servent exclusivement à une identification.



Die in dieser Liste aufgeführten Teile sind normalerweise aus dem Lager lieferbar. Wir sind zudem in der Lage nicht aufgeführte Teile Interieurhalb kürzester Zeit zu liefern. Die O.E.M. Referenznummern dienen zur Information und beinhalten nicht, dass diese vom genannten Hersteller kommen. Diese Bestandsliste kann ohne vorhergehende Ankündigung geändert werden. Alle verwendeten Foto's, Zeichnungen, Abbildungen, Markennamen, Beschreibungen und Nummern dienen nur zu Identifikationszwecken.



Los artículos mencionados en este catálogo se encuentran habitualmente en stock. Además, podemos suministrar en un plazo corto de tiempo otros artículos relacionados que no se encuentren expresamente mencionados en este catálogo. Las referencias O.E.M. sirven sólo como indicación y no implican que procedan del constructor. Este listado de productos puede estar sujeto a modificaciones sin aviso previo. Todas las fotos, dibujos, ilustraciones, nombres de marca, descripciones y números se han incluido simplemente con el propósito de su identificación.




I pezzi di ricambio, menzionati in questo listino, possono essere forniti con una consegna immediata a condizione che non siano esauriti. I pezzi di ricambio non menzionati possono essere forniti in poco tempo. Le referenze O.E.M. sono solamente indicative e non implicano che i pezzi di ricambio vengano da questo costruttore. Questa lista ricambi può essere aggiustata senza avvisi anticipati. Tutti i numeri, codici, nomi, foto, spaccati e disegni sono solo a titolo informativo.



Części z tego katalogu są zazwyczaj na stanie magazynowym. Również części które nie są wyszczególnione w katalogu mogą być dostarczone na zamówienie w najkrótszym możliwym terminie. Opis części O.E.M. jest używany informacyjnie i nie wskazuje na to, że dany produkt jest wyprodukowany przez podanego producenta. Zawartość katalogu może ulec zmianie bez wcześniejszego informowania o tym. Wszystkie użyte zdjęcia, rysunki, nazwy marek, opis i numery służą tylko do identyfikacji.



Запчасти из настоящего списка, как правило, имеются в запасе, если только он не распродан. Прочие, не фигурирующие в списке артикулы, могут быть поставлены в самые кратчайшие сроки. Указание оригинальных номеров производителя не предполагает обязательного оригинального происхождения самих деталей. Данный список может изменяться без предварительного уведомления. Все использованные фото, рисунки, иллюстрации, названия брендов, наименования и номера служат исключительно для цели идентификации.



Visit our website :
www.bepcoparts.com

© Bepco 2018

All rights reserved. No part of this catalog may be reproduced or transmitted (copied, saved, used in a data backup system, etc.), in part or in whole, in any form whatsoever, either numerically or mechanically, without the prior and explicit agreement of the company BEPCO PARTS.

- BEPCO is a supplier of aftermarket parts and accessories suitable for the maintenance and repair of OEM equipment. The OEM and trademark references are for information only and do not imply that the accessories and / or spare parts come from the manufacturer of the equipment or of the original parts.
- Products that do not comply with EC regulatory requirements shall not be placed on the market in the European Economic Area.
- BEPCO® is a registered trademark.
- All sales are subject to the terms and conditions of sale available on www.bepcoparts.com
- Photographs and illustrations are included for reference purposes only. Subject to printing errors.

Spare parts
from A to Z for
all brands

Case IH
David Brown
Fiat
Ford
Hürlimann
John Deere
K.H.D. (Deutz)
Kubota
Landini
Lamborghini
New Holland
Manitou
Massey Ferguson
Mc Cormick
Merlo
Perkins
Renault
Same
Steyr
Valmet
Zetor

moving forward in every field

REF. B74945



HEAD OFFICE

Rue Chaumont 4D • 4480 Hermalle-sous-Huy • Belgium
T +32 (0)85 24 54 00 • F +32 (0)800 23 132 • info.be@bepcoparts.com • www.bepcoparts.com

Member of **TVH** 