



*moving forward in every field*

LANGUE/LANGUAGE • FR/EN

# MASSEY FERGUSON (BRÉSIL/BRAZIL)

## ▶▶ PIÈCES DE TRACTEURS/TRACTOR PARTS

Catalogue - Première publication 2011

Catalogue - First published 2011

[www.bepcoparts.com](http://www.bepcoparts.com)

Member of **TVH** 

# ■ À PROPOS DE BEPCO

---

Le groupe Bepco est un leader mondial dans la fourniture de pièces de rechange, accessoires pour tracteurs et pièces détachées pour machines agricoles.

Avec plus de 360 employés, le groupe Bepco a des filiales en Belgique, France, Pays-Bas, Allemagne, Espagne et Angleterre. Nous sommes aussi présents en Australie, Nouvelle Zélande, Afrique du sud et au Brésil.

Le groupe Bepco est une société mondiale avec des clients dans plus de 100 pays à travers le monde, les ventes hors Europe contribuent à plus d'un tiers du chiffre d'affaires.

Nous proposons à notre réseau de distributeurs et revendeurs :

- ▶ Des fournisseurs d'équipements d'origine et d'autres marques reconnues
- ▶ Plus de 20 000 m<sup>2</sup> de surface de stockage
- ▶ Plus de 80 000 références en stock
- ▶ Des connaissances techniques d'experts de l'industrie
- ▶ Une expédition le jour même pour une livraison le jour suivant

Le groupe Bepco fait partie du groupe TVH, fournisseur de pièces et accessoires de qualité pour le matériel de manutention, les véhicules industriels et l'équipement agricole.

# ABOUT BEPCO

---

Bepco Group is a worldwide leading supplier of parts and accessories for agricultural tractors and machinery.

With over 360 employees Bepco Group has subsidiaries in Belgium, Netherlands, France, Germany, Spain and UK and is also present in Australia, New Zealand, South Africa and Brazil.

Bepco Group is a truly global company with customers in over 100 countries worldwide and sales outside Europe contributing to over a third of revenues.

We offer our network of distributors and dealers :

- ▶▶ Original Equipment Supplier and other industry leading brands
- ▶▶ More than 20,000 m<sup>2</sup> of warehousing
- ▶▶ More than 80,000 stock items
- ▶▶ Technological knowledge from industry experts
- ▶▶ Same day shipment, next day delivery in many markets

Bepco Group is also a member of TVH, the all-round supplier of quality parts and accessories for material handling, industrial vehicles and agricultural equipment.

Bielles & Pièces connexes .....	6	<i>Belts, alternators &amp; Starters motor .....</i>	28-30
Chemises & Soupapes (Détails technique) .....	32	<i>Connecting rods &amp; Related parts .....</i>	6
Courroies, alternateurs et démarreurs .....	28-30	<i>Cooling system .....</i>	26-27
Culasse et pièces connexes .....	9-10	<i>Crankshaft &amp; Related parts .....</i>	3-5
Culbuteurs .....	11	<i>Cylinder head parts.....</i>	9-10
Distributions .....	17-18	<i>Engine gaskets sets .....</i>	12-13
Filtres .....	14-16	<i>Filters .....</i>	14-16
Joints de moteur .....	12-13	<i>Liners &amp; Engine valves (Technical details) .....</i>	32
Lubrification .....	19-22	<i>Lubrification .....</i>	19-22
Pistons, jeux de segments & Chemise .....	7-8	<i>Pistons, rings sets &amp; Liners .....</i>	7-8
Pistons, jeux de segments (Détails technique) .....	31	<i>Pistons, rings sets (Technical details) .....</i>	31
Pompe & Système d'injection .....	23-25	<i>Pumps &amp; Injection .....</i>	23-25
Refroidissement .....	26-27	<i>Rocker shaft &amp; Arms .....</i>	11
Tableaud'identification des tracteurs et moteurs .....	2	<i>Timing gear .....</i>	17-18
Villebrequin & Pièces connexes.....	3-5	<i>Tractor and engine application chart.....</i>	2

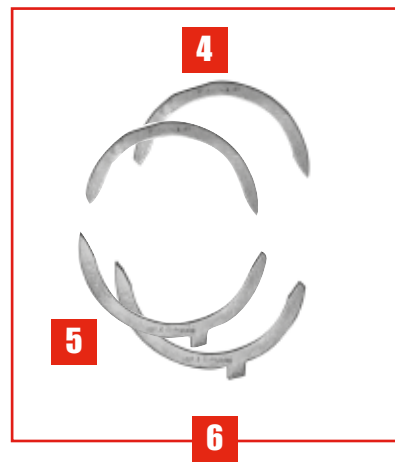
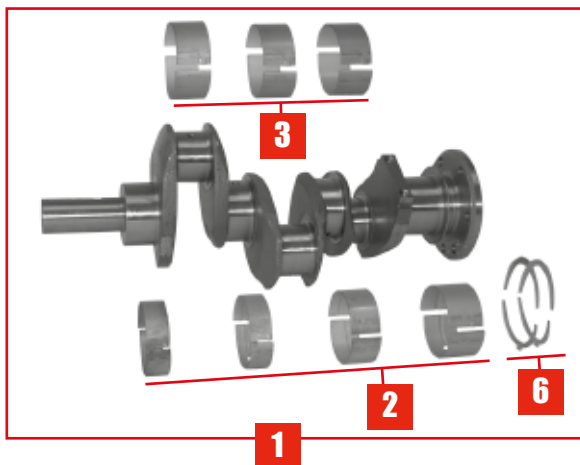
## TABLEAUX D'IDENTIFICATION DES TRACTEURS ET MOTEURS TRACTOR AND ENGINE APPLICATION CHART

Tracteur Tractor	Moteur Engine	Cyl. Cyl.	Alésage mm Bore mm
<b>Serie 200 series</b>			
250X	AD3.152	3	91.49
265	A4.236	4	98.48
275	P4000	4	101.05
283	P4000	4	101.05
290	P4000	4	101.05
292	P4000T	4	101.05
297	1006-6 (Blue) (UK)	6	100.00
299	1006-6T (Blue) (UK)	6	100.00
299	1006-6T (Blue) (Brazil)	6	100.00
<b>Serie 200 Advanced series</b>			
250X Adv.	AD3.152	3	91.49
265 Adv.	A4.236	4	98.48
275 Adv.	P4000	4	101.05
283 Adv.	P4000	4	101.05
290 Adv.	P4000	4	101.05
292 Adv.	P4000T	4	101.05
297 Adv.	1006-6 (Blue) (Brazil)	6	100.00
298 Adv.	1006-6 (Blue) (Brazil)	6	100.00
299 Adv.	1006-6T (Blue) (Brazil)	6	100.00
<b>Serie 400 series</b>			
415	AD3.152	3	91.49
425	A4.236	4	98.48
435	P4000	4	101.05
440	P4000	4	101.05
445	P4000	4	101.05
460	P4000T	4	101.05
465	1006-6 (Blue) (Brazil)	6	100.00
475	1006-6T (Blue) (Brazil)	6	100.00
<b>Serie 600 series</b>			
610	P4000	4	101.05
610 Turbo	P4000T	4	101.05
620	P4000T	4	101.05
630	1006-6 (Blue) (UK)	6	100.00
630	1006-6 (Blue) (Brazil)	6	100.00
640	1006-6 (Blue) (UK)	6	100.00
640	1006-6 (Blue) (Brazil)	6	100.00
640 Turbo	1006-6T (Blue) (Brazil)	6	100.00
650	1006-6T (Blue) (UK)	6	100.00
650	1006-6T (Blue) (Brazil)	6	100.00
660	1006-6T (Blue) (UK)	6	100.00
660	1006-6T (Blue) (Brazil)	6	100.00
680	1006-6T (Blue) (UK)	6	100.00
680	1006-6T (Blue) (Brazil)	6	100.00
<b>Serie 600 Advanced series</b>			
650 Adv.	1006-6T (Blue) (Brazil)	6	100.00
660 Adv.	1006-6T (Blue) (Brazil)	6	100.00
680 Adv.	1006-6T (Blue) (Brazil)	6	100.00
<b>Serie 5200 series</b>			
5275	A4.41 (UK)	4	101.05
5275	P4001	4	101.05
5285	A4.41 (UK)	4	101.05
5285	P4001	4	101.05
5290	A4.41 (UK)	4	101.05
5290	P4001	4	101.05

Tracteur Tractor	Moteur Engine	Cyl. Cyl.	Alésage mm Bore mm
<b>Serie 5300 series</b>			
5300	1004-4T (Blue) (UK)	4	100.00
5300	P4001T	4	101.05
5310	1004-4T (Blue) (UK)	4	100.00
5310	P4001T	4	101.05
5320	1006-6 (Blue) (UK)	6	100.00
5320	1006-6 (Blue) (Brazil)	6	100.00
5335	P4001	4	101.05
5340	P4001	4	101.05
5355	P4001T	4	101.05
5360	P4001T	4	101.05
5365	1006-6 (Blue) (Brazil)	6	100.00

N.B. Adv. est l'abréviation de "Advanced"  
N.B. Adv. is an abbreviation for Advanced

## VILLEBREQUIN & PIÈCES CONNEXES CRANKSHAFT & RELATED PARTS



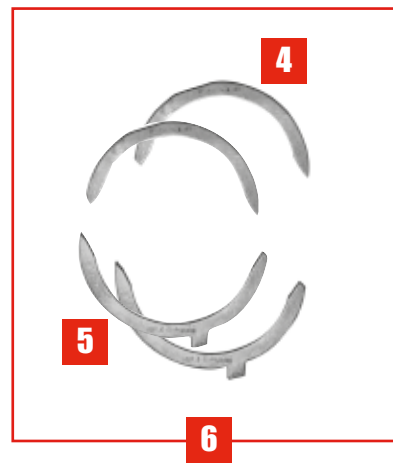
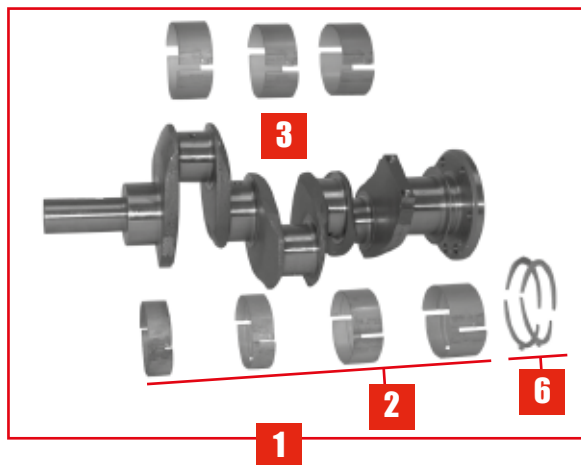
Tracteurs Tractors	Moteur Engine	1 Jeu vilebrequin Crankshaft kit	2 Couss. de palier Main bear. set	3 Couss. de bielle Conrod bear. set	4 Epaisseur avant Top Thrust washer	5 Epaisseur arrière Bot. Thrust washer	6 Jeu d'épaisseur lat. Thrust washer kit
<b>Moteur 3 cylindres / 3 cylinder engines</b>							
250X, 250X Adv. 415	AD3.152	<b>30/1-5</b> (ZZ90150, 3641858M91)	<b>30/2-1</b> (68084, 746156M91)	<b>30/3-1</b> (85036, 737070M91)	<b>30/4-1</b> (31137211, 735112M1) & <b>30/4-150</b> (31137235, 747323M1)	<b>30/5-1</b> (31137221, 735113M1) & <b>30/5-150</b> (31137245, 747325M1)	-
<b>Moteur 4 cylindres / 4 cylinder engines</b>							
265, 265 Adv. 425	A4.236	<b>30/1-150K (A)</b> (S4004)	<b>30/2-150</b> (423669)	<b>30/3-150</b> (423670)	<b>30/4-3</b> (31137551, 747128M1)	<b>30/5-3</b> (31137561, 747129M1)	<b>30/6-3</b> (U5TW0002), 424808)
275, 275 Adv. 283, 283 Adv. 290, 290 Adv. 435, 440, 445 610 5275, 5285, 5290 5335, 5340	P4000 P4001						
292, 292 Adv. 460, 610 Turbo, 620, 5300, 5310, 5355, 5360	P4000T P4001T	<b>30/1-151K (A)</b> (S4025)		<b>30/3-151</b> (4236114)			
5275, 5285, 5290	A4.41 (UK)	<b>30/1-42</b> (ZZ90143, ZZ90145, ZZ90202, ZZ90212, ZZ90238, 3640408M91, 3641031M91, 4223939M91, 4224669M91, 4227066M91)	<b>30/2-3</b> (81558, U5MB0034, 735168M91, 4227070M91)	<b>30/3-3</b> (85042, 736950M91)			
5300, 5310	1004-4T (Blue) (UK)			<b>30/3-28</b> (U5ME0006, 3637791M91) Avec onglet With tabs	<b>30/3-153</b> (U5ME0034, 4226914M91) Sans onglet Without tabs		

**N.B. :** Les coussinets de palier et de bielle sont disponibles en cote réparation 0.010" - 0.020" - 0.030". Ajouter respectivement les suffixes A, B, ou C.  
**N.B.:** Main and conrod bearing sets are available in 0.010" - 0.020" - 0.030" undersize. Please add the suffix A, B or C respectively.

**(A)** Le vilebrequin seul est livrable sous la référence de commande **30/1-150NU** (70998009).

**(A)** The crankshaft only is available. Order **30/1-150NU** (70998009).

## VILLEBREQUIN & PIÈCES CONNEXES CRANKSHAFT & RELATED PARTS

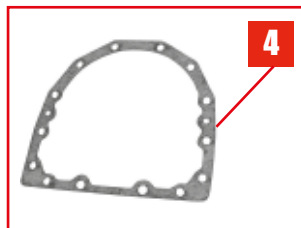
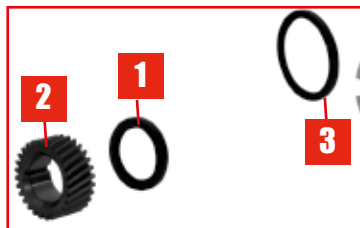


		1	2	3	4	5	6	
Tracteurs Tractors	Moteur Engine	Jeu vilebrequin Crankshaft kit	Couss. de palier Main bear. set	Couss. de bielle Conrod bear. set	Epaisseur avant Top Thrust washer	Epaisseur arrière Bot. Thrust washer	Jeu d'épaisseur lat. Thrust washer kit	
<b>Moteur 6 cylindres / 6 cylinder engines</b>								
297 630, 640 5320	1006-6 (Blue) (UK)	<b>30/1-72</b> (S1027, S1028, ZZ90218, 4224659M91)	<b>30/2-52</b> (S1025, U5MB0007, 3637020M91)	<b>30/3-4</b> (635437, 85043, 736934M91)	<b>30/4-3</b> (31137551, 747128M1)	<b>30/5-3</b> (31137561, 747129M1)	<b>30/6-3</b> (U5TW0002, 424808)	
297 Adv., 298 Adv., 465, 630, 640 5320, 5365	1006-6 (Blue) (Brazil)							
299, 650, 660	1006-6T (Blue) (UK)							
299, 299 Adv., 475, 640 Turbo 650, 650 Adv. 660, 660 Adv.	1006-6T (Blue) (Brazil)			<b>30/2-45</b> (U5MB0010, 3640873M91)				<b>30/3-29</b> (635474, U5ME0003, 1076802M91, 3637024M91) Avec onglets With tabs
680	1006-6T (Blue) (UK)							
680, 680 Adv.	1006-6T (Blue) (Brazil)			<b>30/1-32</b> (S1026, ZZ90219, ZZ90229, 4224713M91, 4226479M91)				<b>30/2-155</b> (S1024, U5MB0022, U5MB0030, 4226520M91, 4226952M91)

**N.B. :** Les coussinets de palier et de bielle sont disponibles en cote réparation 0.010" - 0.020" - 0.030". Ajouter respectivement les suffixes A, B, ou C.  
**N.B.:** Main and conrod bearing sets are available in 0.010" - 0.020" - 0.030" undersize. Please add the suffix A, B or C respectively.

## VILLEBREQUIN & PIÈCES CONNEXES

### CRANKSHAFT & RELATED PARTS



		1	2	3	4	5
Tracteurs Tractors	Moteur Engine	Bague avant Front cover seal	Pignon Crankshaft gear	Bague arrière Rear housing seal	Joint arrière Rear gasket	Couronne de démarrage Flywheel ring gear
<b>Moteur 3 cylindres / 3 cylinder engines</b>						
250X, 250X Adv. 415	AD3.152	<b>30/11-10</b> (2415344, 1447689M1)	<b>30/12-10</b> (31163495, 3641826M1)	<b>30/13-4</b> (2418F475, 1447691M1)	<b>30/17-4</b> (33826111, 33826115, 741378M1, 3641894M1)	<b>30/15-1</b> (0410236, 731008M1, 3819719M1)
<b>Moteur 4 cylindres / 4 cylinder engines</b>						
265, 265 Adv. 425	A4.236	<b>30/11-150</b> (70730043, 4226213M1)	<b>30/12-3</b> (31171681, 734749M1)	<b>30/13-150</b> (70730050, 1076898M1)	<b>30/17-5</b> (36817157, 740482M1, 3681T018, 4223587M1)	<b>30/15-1</b> (3408357M1, 3819719M1)
275, 275 Adv. 283, 283 Adv. 290, 290 Adv. 435, 440, 445, 610 5275, 5285, 5290 5335, 5340	P4000 P4001					
292, 292 Adv. 460, 610 Turbo, 620 5300, 5310, 5355, 5360	P4000T P4001T					
5275, 5285, 5290	A4.41 (UK)	<b>30/11-11</b> (2418F436, 1447690M1)	<b>30/12-11</b> (31171683, 3638105M1)	<b>30/13-4</b> (2418F475, 1447691M1)	<b>30/17-5</b> (3681T012, 3641221M1, 3681T018, 4223587M1)	<b>30/15-1</b> (0410236, 731008M1, 3819719M1)
5300, 5310	1004-4T (Blue) (UK)					
<b>Moteur 6 cylindres / 6 cylinder engines</b>						
297, 630, 640	1006-6 (Blue) (UK)	<b>30/11-11</b> (2418F436, 1447690M1)		<b>30/13-4</b> (2418F475, 1447691M1)		
299, 650, 660, 680	1006-6T (Blue) (UK)					
297 Adv., 298 Adv. 465 630, 640	1006-6 (Blue) (Brazil)	<b>30/11-150</b> (70730043, 4226213M1)	<b>30/12-15</b> (3117C061, 748201M1)	<b>30/13-150</b> (70730050, 1076898M1)	<b>30/17-5</b> (36817181, 3641089M1, 3681T018, 4223587M1)	<b>30/15-150</b> (3408369M1)
299, 299 Adv. 475, 640 Turbo 650, 650 Adv. 660, 660 Adv. 680, 680 Adv.	1006-6T (Blue) (Brazil)					
5320	1006-6 (Blue) (UK)					
5320, 5365	1006-6 (Blue) (Brazil)	<b>30/11-11</b> (2418F436, 1447690M1)		<b>30/13-4</b> (2418F475, 1447691M1)		<b>30/15-16</b> (31161148, 747694M1, 3819720M1)
		<b>30/11-150</b> (70730043, 4226213M1)		<b>30/13-150</b> (70730050, 1076898M1)		<b>30/15-151</b> (054576P1)

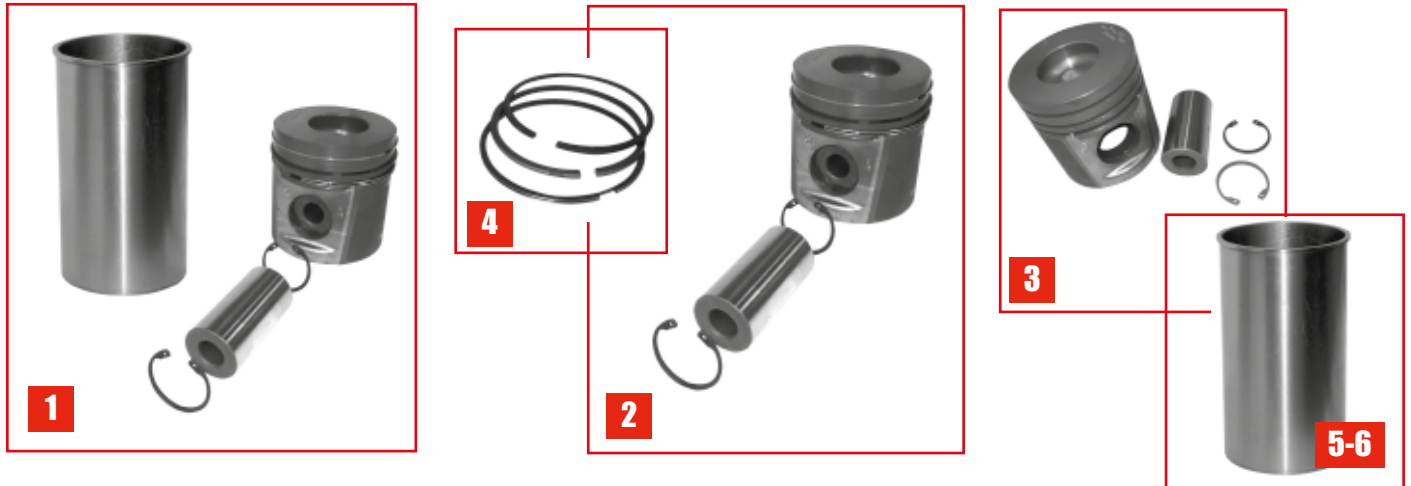


## BIELLES & PIÈCES CONNEXES CONNECTING RODS & RELATED PARTS



		1	2	3	4
Tracteurs Tractors	Moteur Engine	Bielle Conrod	Boulon de bielle Conrod bolt	Ecrou de bielle Conrod nut	Bague de bielle Small end bush
<b>Moteur 3 cylindres / 3 cylinder engines</b>					
250X, 250X Adv. 415	AD3.152	<b>30/25-2</b> (ZZ90010, 3637392M91)	<b>30/26-1</b> (0095250, 375756X1)	<b>30/27-1</b> (33221327, 1476245X1)	<b>30/28-1</b> (31134151, 740407M1)
<b>Moteur 4 cylindres / 4 cylinder engines</b>					
265, 265 Adv. 425	A4.236	<b>30/25-3</b> (424804, ZZ90009, 3637034M91)	<b>30/26-2</b> (32762116, 32762145, 4222485M1)	<b>30/27-150</b> (70570094)	<b>30/28-150</b> (70998085)
275, 275 Adv. 283, 283 Adv. 290, 290 Adv. 435, 440, 445, 610 5275, 5285, 5290 5335, 5340	P4000 P4001				
292, 292 Adv. 460 610 Turbo, 620 5300, 5310, 5355, 5360	P4000T P4001T				<b>30/28-151</b> (70998078)
5275, 5285, 5290	A4.41 (UK)				<b>30/28-2</b> (31134123, 733767M1)
5300, 5310	1004-4T (Blue) (UK)	<b>30/25-11</b> (ZZ90013, 3637028M91)	<b>30/27-2</b> (33221328, 3637030M1)	<b>30/28-16</b> (31134131, 744971M1)	
<b>Moteur 6 cylindres / 6 cylinder engines</b>					
297 630, 640 5320	1006-6 (Blue) (UK)	<b>30/25-3</b> (424804, ZZ90009, 3637034M91)	<b>30/26-2</b> (32762116, 32762145, 4222485M1)	<b>30/27-2</b> (33221328, 3637030M1)	<b>30/28-2</b> (31134123, 733767M1)
297 Adv., 298 Adv. 465 630, 640 5320, 5365	1006-6 (Blue) (Brazil)			<b>30/27-150</b> (70570094)	<b>30/28-150</b> (70998085)
299 650, 660, 680	1006-6T (Blue) (UK)	<b>30/25-11</b> (ZZ90013, 3637028M91)		<b>30/27-2</b> (33221328, 3637030M1)	<b>30/28-16</b> (31134131, 744971M1)
299, 299 Adv. 475, 640 Turbo 650, 650 Adv. 660, 660 Adv. 680, 680 Adv.	1006-6T (Blue) (Brazil)	<b>30/25-150</b> (4236119, 70992727, 1076816M91 7000515C91)		<b>30/27-150</b> (70570094)	<b>30/28-151</b> (70998078)

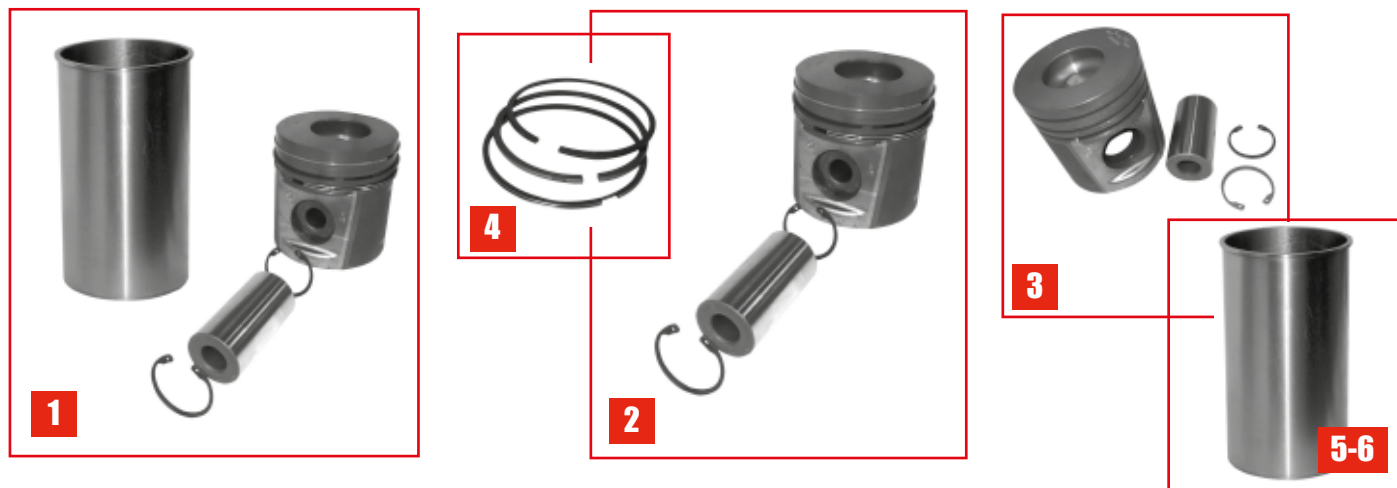
## PISTONS, JEUX DE SEGMENTS & CHEMISES PISTONS, RING SETS & LINERS



		1	2	3	4	5	6
Tracteurs Tractors	Moteur Engine	Kit Kit set	Piston & segment Piston & ring	Piston & axe Piston & pin	Segment Piston ring set	Chemise finie Finished liner	Chemise semi-finie Semi-finished liner
<b>Moteur 3 cylindres / 3 cylinder engines</b>							
250X, 250X Adv. 415	AD3.152	-	-	-	<b>30/34-8</b> (86781, 41158065, 745826M91)	<b>30/35-7</b> (31358345, 739043M1)	<b>30/36-7</b> (31358323, 734179M1)
<b>Moteur 4 cylindres / 4 cylinder engines</b>							
275, 275 Adv. 283, 283 Adv. 290, 290 Adv. 435, 440, 445, 610 5275, 5285, 5290 5335, 5340	P4000 P4001	<b>30/31-602S</b> (P4016, I41013)	<b>30/32-602</b> (B32602)	<b>30/33-602</b> (P4015)	<b>30/34-602</b> (P4001, P4017)	-	<b>30/36-23</b> (70530022, 3135X033, 3637333M1)
292, 292 Adv. 460, 610 Turbo, 620, 5300, 5310, 5355, 5360	P4000T P4001T	<b>30/31-603S</b> (P4012, I41T007)	<b>30/32-603</b> (B32603)	<b>30/33-603</b> (P4009)			
5275, 5285, 5290	A4.41 (UK)	<b>30/31-183</b> (B31183)	<b>30/32-183</b> (B32183)	<b>30/33-183</b> (U5LL0020, U5LL0031, U5LH0013, 3641254M91, 4223499M91, 4226116M91)	<b>30/34-183</b> (4115Y001, 4222053M91)	<b>30/35-23</b> (3135X034, 3637334M1)	<b>30/36-23</b> (3135X033, 3637333M1)
5300, 5310	1004-4T (Blue) (UK)	<b>30/31-108</b> (U5MK0275, 3640333M91)	<b>30/32-108</b> (U5PR0040, 3640334M91)	<b>30/33-108</b> (U5LL0014, 3640593M91)	<b>30/34-108</b> (4181A026, 3641316M91)	<b>30/35-108</b> (3135X042, 748216M1)	<b>30/36-108</b> (3135X041, 748215M1)
<b>Moteur 6 cylindres / 6 cylinder engines</b>							
297, 630, 640	1006-6 (Blue) (UK)	<b>30/31-176</b> (B31176)	<b>30/32-176</b> (B32176)	<b>30/33-176</b> (S1021, U5LL0021, 3641806M91)	<b>30/34-176</b> (4181A041, 4222706M91)	<b>30/35-108</b> (3135X042, 748216M1)	<b>30/36-108</b> (3135X041, 748215M1)
297 Adv., 298 Adv. 465 630, 640	1006-6 (Blue) (Brazil)	<b>30/31-604</b> (B31604)	<b>30/32-604</b> (B32604)		<b>30/34-604</b> (S1015)		

Pour les détails technique voir en page 31-32 / For technical details see page 31-32

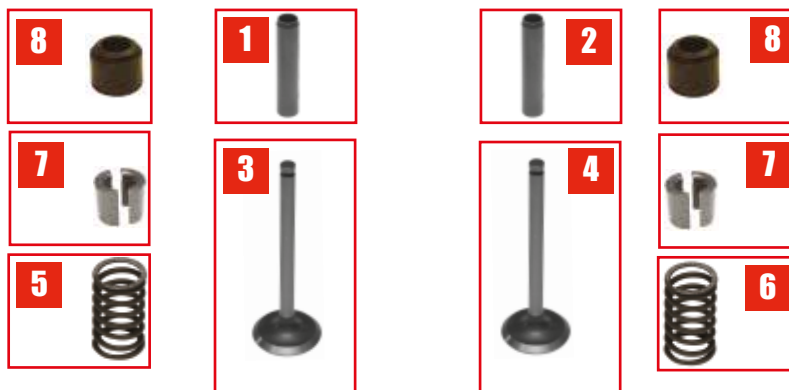
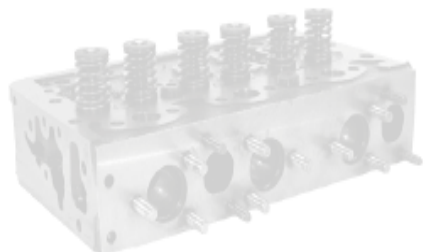
## PISTONS, JEUX DE SEGMENTS & CHEMISES PISTONS, RING SETS & LINERS



		1	2	3	4	5	6
Tracteurs Tractors	Moteur Engine	Kit Kit set	Piston & segment Piston & ring	Piston & axe Piston & pin	Segment Piston ring set	Chemise finie Finished liner	Chemise semi-finie Semi-finished liner
<b>Moteur 6 cylindres / 6 cylinder engines</b>							
299 650, 660, 680	1006-6T (Blue) (UK)	<b>30/31-108</b> (U5MK0275, 3640333M91)	<b>30/32-108</b> (U5PR0040, 3640334M91)	<b>30/33-108</b> (U5LL0014, 3640593M91)	<b>30/34-108</b> (4181A026, 3641316M91)		
299, 299 Adv. 475 640 Turbo, 650, 650 Adv. 660, 660 Adv. 680, 680 Adv.	1006-6T (Blue) (Brazil)	<b>30/31-605</b> (B31605)	<b>30/32-605</b> (B32605)	<b>30/33-605</b> (S1019)	<b>30/34-605</b> (S1016)	<b>30/35-108</b> (3135X042, 748216M1)	<b>30/36-108</b> (3135X041, 748215M1)
5320	1006-6 (Blue) (UK)	<b>30/31-176</b> (B31176)	<b>30/32-176</b> (B32176)	<b>30/33-176</b> (S1022, U5LL0021, 3641806M91)	<b>30/34-176</b> (4181A041, 4222706M91)		
5320, 5365	1006-6 (Blue) (Brazil)	<b>30/31-604</b> (B31604)	<b>30/32-604</b> (B32604)		<b>30/34-604</b> (S1015)		

Pour les détails technique voir en page 31-32 / For technical details see page 31-32

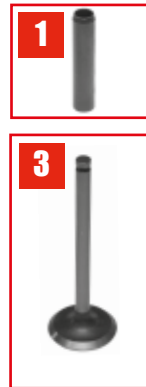
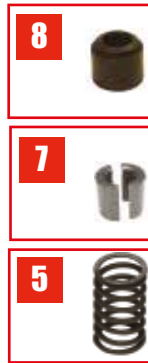
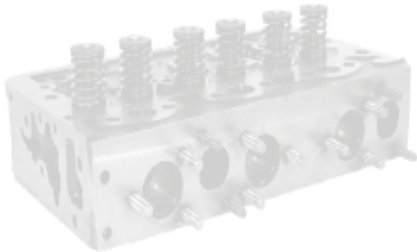
## CULASSES ET PIÈCES CONNEXES CYLINDER HEAD PARTS



		1	2	3	4	5	6	7	8
Tracteurs Tractors	Moteur Engine	Guide admiss. Inlet guide	Guide échap. Exhaust guide	Soup. d'admiss. Inlet valve	Soupape échap. Exhaust valve	Ressort admiss. Inlet spring	Ressort échap. Exhaust spring	Clavettes Cotter	Joint de soupape Valve seal
<b>Moteur 3 cylindres / 3 cylinder engines</b>									
250X, 250 X Adv. 415	AD3.152	<b>30/41-3</b> (33261723, 3316A031, 732445M1, 4223519M1)	<b>30/41-3</b> (33261723, 3316A031, 732445M1, 4223519M1)	<b>30/42-5</b> (31431681, 739060M1)	<b>30/43-5</b> (3142A081, 3637529M1)	-	<b>30/45-60</b> (0780012, 3637678M1)	<b>30/46-1</b> (0230001, 731155M1)	-
<b>Moteur 4 cylindres / 4 cylinder engines</b>									
265, 265 Adv. 425	A4.236	<b>30/41-17</b> (3343F031, 3343F041, 3640676M1, 4223073M1)	<b>30/41-18</b> (3343J002, 3343J021, 748420M1, 4223074M1)	<b>30/42-601</b> (70998162)	<b>30/43-601</b> (70998163, 70910077)	-	<b>30/45-601</b> (70998136)		<b>30/47-601</b> (70730051)
610	P4000			<b>30/42-602</b> (70998082, 70910035)			<b>30/45-601</b> (70998136) Simple Single		
610 Turbo, 620	P4000T	(514798Z⇒) <b>30/41-602</b> (70420019)	(514798Z⇒) <b>30/41-602</b> (70420019)	<b>30/42-603</b> (70998020, 70910034)		<b>30/44-67</b> (31744133, 740465M1) Double	<b>30/45-61</b> (31745122, 740467M1) Double	<b>30/46-601</b> (70230010)	(514798Z⇒) <b>30/47-601</b> (70730051)
275, 275 Adv. 283, 283 Adv. 290, 290 Adv. 435, 440, 445 5275, 5285, 5290 5335, 5340	P4000 P4001			<b>30/42-602</b> (70998082, 70910035)	<b>30/43-602</b> (70998019, 70910036)	-	<b>30/45-601</b> (70998136)		<b>30/47-601</b> (70730051)
292, 292 Adv. 460 5300, 5310, 5355, 5360	P4000T P4001T			<b>30/42-603</b> (70998020, 70910034)		-			
5275, 5285, 5290	A4.41 (UK)	<b>30/41-17</b> (3343F041, 4223073M1)	<b>30/41-18</b> (3343J021, 4223074M1)	<b>30/42-38</b> (3142L051, 748413M1)	<b>30/43-26</b> (3142A051, 748309M1)	-	<b>30/45-62</b> (3174P405, 3637057M1)	<b>30/46-2</b> (33173108, 736453M1)	<b>30/47-1</b> (33817117, 3637041M1)
5300, 5310	1004-4T (Blue) (UK)			<b>30/42-39</b> (3142L072, 3640597M1)		<b>30/44-67</b> (31744133, 740465M1)	<b>30/45-61</b> (31745122, 740467M1)		

Pour les détails technique voir en page 31-32 / For technical details see page 31-32

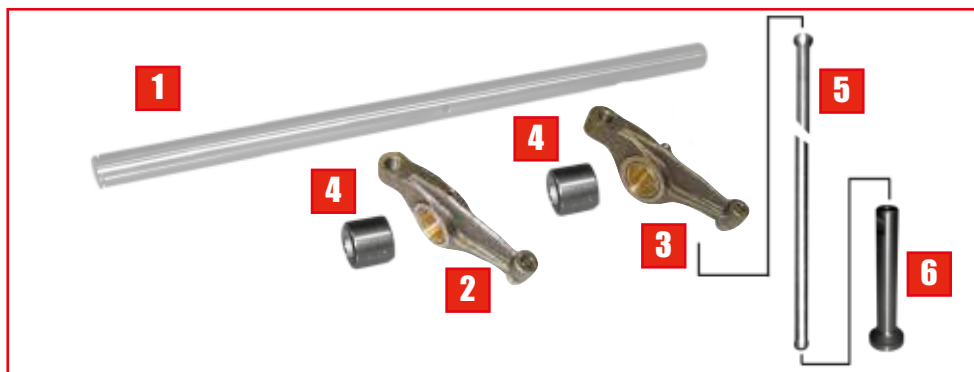
## CULASSES ET PIÈCES CONNEXES CYLINDER HEAD PARTS



Tracteurs Tractors	Moteur Engine	1 Guide admiss. Inlet guide	2 Guide échap. Exhaust guide	3 Soup. d'admiss. Inlet valve	4 Soupape échap. Exhaust valve	5 Ressort admiss. Inlet spring	6 Ressort échap. Exhaust spring	7 Clavettes Cotter	8 Joint de soupape Valve seal
Moteur 6 cylindres / 6 cylinder engines									
297 630, 640 5320	1006-6 (Blue) (UK)			<b>30/42-38</b> (3142L051, 748413M1)		<b>30/44-67</b> (31744133, 740465M1) Double	<b>30/45-62</b> (3174P405, 3637057M1) Simple Single  <b>30/45-61</b> (31745122, 740467M1) Double		
297 Adv. 298 Adv. 465 630, 640 5320, 5365	1006-6 (Blue) (Brazil)			<b>30/42-604</b> (70910060, 70910060R)		-	<b>30/45-62</b> (3174P405, 3637057M1)		
660	1006-6T (Blue) (UK)	<b>30/41-17</b> (3343F031, 3343F041, 3640676M1, 4223073M1)	<b>30/41-18</b> (3343J002, 3343J021, 748420M1, 4223074M1)	(⇒U557976X) <b>30/42-71</b> (3142L071, 3637042M1)  (U557977X⇒) <b>30/42-39</b> (3142L072, 3640597M1)	<b>30/43-26</b> (70910059, 3142A051, 748309M1)	<b>30/44-67</b> (31744133, 740465M1)	<b>30/45-61</b> (31745122, 740467M1)	<b>30/46-2</b> (33173108, 70998122, 736453M1)	<b>30/47-1</b> (33817117, 70998120, 3637041M1)
299 650, 660, 680	1006-6T (Blue) (UK)			<b>30/42-39</b> (3142L072, 3640597M1)		<b>30/44-67</b> (31744133, 740465M1) Double	<b>30/45-62</b> (3174P405, 3637057M1) Simple Single  <b>30/45-61</b> (31745122, 740467M1) Double		
299, 299 Adv. 475 640 Turbo, 650, 650 Adv. 660, 660 Adv. 680, 680 Adv.	1006-6T (Blue) (Brazil)			<b>30/42-605</b> (70910061)		-	<b>30/45-62</b> (3174P405, 3637057M1)		

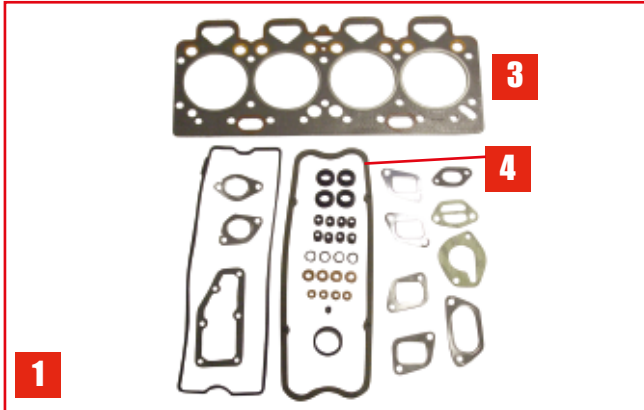
Pour les détails technique voir en page 31-32 / For technical details see page 31-32

## CULBUTEURS ROCKER SHAFT & ARMS

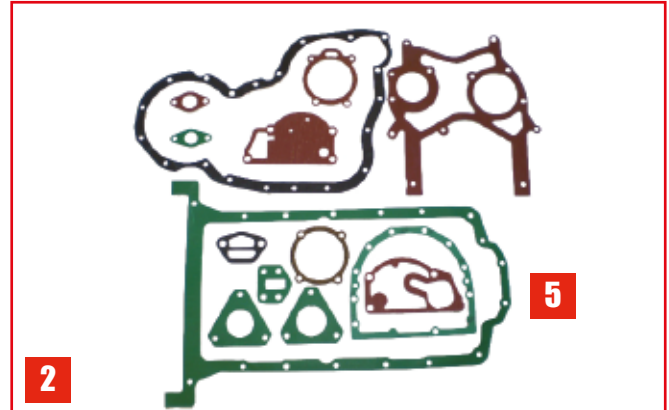


		1	2	3	4	5	6
Tracteurs Tractors	Moteur Engine	Axe culbuteur Rocker shaft	Culbuteur G. Rocker arm LH	Culbuteur Dr. Rocker arm RH	Bague Rocker arm bush	Tige Push rod	Poussoir Tappet
<b>Moteur 3 cylindres / 3 cylinder engines</b>							
250X, 250X Adv. 415	AD3.152	<b>30/6051-1</b> (ZZ90047, 3637532M91)	<b>30/50-4</b> (3737A101, 3638185M1)	<b>30/50-5</b> (3737A091, 3638184M1)	-	-	<b>30/54-2</b> (0860012, 731150M1)
<b>Moteur 4 cylindres / 4 cylinder engines</b>							
265, 265 Adv. 425	A4.236	<b>30/6051-601</b> (424807)	<b>30/50-601</b> (70998096, 70992758)	<b>30/50-602</b> (70998095, 70992757)	<b>30/6052-1</b> (2511425, 895748M1)	<b>30/53-601</b> (70998041)	<b>30/54-3</b> (31434163 3142U031, 740671M1, 4222069M1)
275, 275 Adv. 283, 283 Adv. 290, 290 Adv. 435, 440, 445, 610 5275, 5285, 5290 5335, 5340	P4000 P4001						
292, 292 Adv. 460 610 Turbo, 620 5300, 5310, 5355, 5360	P4000T P4001T						
5275, 5285, 5290	A4.41 (UK)	<b>30/6051-2</b> (ZZ90032, 3637395M91)	<b>30/50-6</b> (4115R306, 4115R506, 4223076M91, 4226827M91)	<b>30/50-7</b> (4115R305, 4115R507, 4223075M91, 4226836M91)	<b>30/53-2</b> (31434307, 733817M1)		
5300, 5310	1004-4T (Blue) (UK)						
<b>Moteur 6 cylindres / 6 cylinder engines</b>							
297 630, 640 5320	1006-6 (Blue) (UK)	-	<b>30/50-6</b> (4115R306, 4115R506, 4223076M91, 4226827M91)	<b>30/50-7</b> (4115R305, 4115R507, 4223075M91, 4226836M91)	<b>30/6052-1</b> (2511425, 895748M1)	<b>30/53-2</b> (31434307, 733817M1)	<b>30/54-3</b> (31434163 3142U031, 740671M1, 4222069M1)
299 650, 660, 680	1006-6T (Blue) (UK)						
297 Adv., 298 Adv. 465 630, 640 5320, 5365	1006-6 (Blue) (Brazil)						
299, 299 Adv. 475, 640 Turbo 650, 650 Adv. 660, 660 Adv. 680, 680 Adv.	1006-6T (Blue) (Brazil)	<b>30/50-601</b> (70998096, 70992758)	<b>30/50-602</b> (70998095, 70992757)	<b>30/53-601</b> (70998041)			

## JOINTS DE MOTEUR ENGINE GASKET SETS



Illustré / Illustrated : 30/71-602

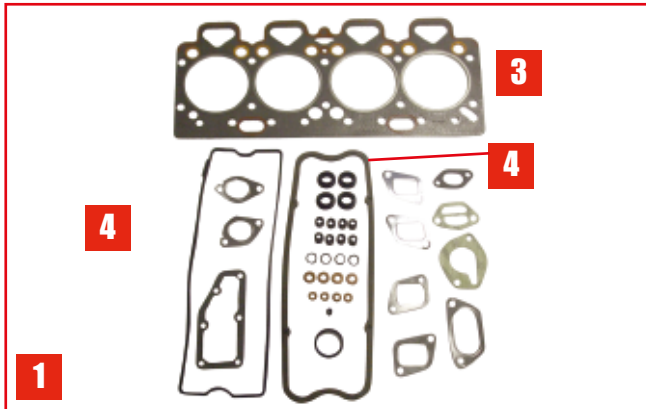


Illustré / Illustrated : 30/72-602

		1	2	3	4	5
Tracteurs Tractors	Moteur Engine	Pochette de rodage Top gasket set	Pochette compl. Bottom gasket set	Joint de culasse Cyl. head gasket	Joint cache soupape Rocker cover gasket	Joint de carter Sump gasket
<b>Moteur 3 cylindres / 3 cylinder engines</b>						
250X, 250X Adv. 415	AD3.152	30/71-5 (U5LT0038, U5LT0538, U5LT5138, 748008M91, 4222480M91, 4223923M91)	30/72-107 (U5LB0010, U5LB0110, U5LB1110, 747185M91, 4223491M91, 4224032M91)	30/73-4 (3681E024, 3641399M1)	30/74-8 (36811115, 735057M1)	30/75-105 (41424209, 41424233, 21826370, 741632M91, 4222056M91, 4224249M91)
<b>Moteur 4 cylindres / 4 cylinder engines</b>						
265, 265 Adv. 425	A4.236	30/71-601 (4236129) 1076818M91) <b>(A)</b> Premier / Early  30/71-610 (B71610) <b>(C)</b> Dernier / Late	30/72-601 (4236195)	30/73-601 (70490195) Premier / Early  30/73-610 (6250064M1) Dernier / Late	30/74-601 (70490149, 70490266)	30/75-106 (36815721, 3681K004, 3681K003, 746425M1, 3638519M1, 3641273M1)
275, 275 Adv. 283, 283 Adv. 290, 290 Adv. 435, 440, 445, 610 5275, 5285, 5290 5335, 5340	P4000 P4001	30/71-602 (P4007) <b>(B)</b> Premier / Early  30/71-612 (B71612) <b>(D)</b> Dernier / Late	30/72-602 (P4006)	30/73-602 (70490304) Premier / Early  30/73-53 (70998194, 4222124M1) Dernier / Late	30/74-602 (70490258, 3604749M1)	
292, 292 Adv 460 610 Turbo, 620 5300, 5310, 5355, 5360	P4000T P4001T	30/71-603 (P4008)		30/73-53 (3681E016, 3681E034, 3638294M1, 4222124M1)		
5275, 5285, 5290	A4.41 (UK)	30/71-90 (U5LT0307, U5LT1196, 4223089M91, 4224621M91)	30/72-113 (U5LB0317, U5LB1160, 4223090M91, 4224457M91)	30/73-90 (3681E033, 3681E037, 4222534M1, 4224501M1)	30/74-105 (3681A032, 3641891M1)	
5300, 5310	1004-4T (Blue) (UK)					

**(A)** 30/71-601 contient l'ensemble 30/76-602 (P4056) + 30/73-601 / **(A)** 30/71-601 contains top service set 30/76-602 (P4056) + 30/73-601.  
**(B)** 30/71-602 contient l'ensemble 30/76-602 (P4056) + 30/73-602 / **(B)** 30/71-602 contains top service set 30/76-602 (P4056) + 30/73-602  
**(C)** 30/71-610 contient l'ensemble 30/76-602 (P4056) + 30/73-610 / **(C)** 30/71-610 contains top service set 30/76-602 (P4056) + 30/73-610  
**(D)** 30/71-612 contient l'ensemble 30/76-602 (P4056) + 30/73-53 / **(D)** 30/71-612 contains top service set 30/76-602 (P4056) + 30/73-53

## JOINTS DE MOTEUR ENGINE GASKET SETS



Illustré / Illustrated : 30/71-602



Illustré / Illustrated : 30/72-602

		1	2	3	4	5
Tracteurs Tractors	Moteur Engine	Pochette de rodage Top gasket set	Pochette compl. Bottom gasket set	Joint de culasse Cyl. head gasket	Joint cache soupape Rocker cover gasket	Joint de carter Sump gasket
<b>Moteur 3 cylindres / 3 cylinder engines</b>						
297 630, 640 5320	1006-6 (Blue) (UK)	<b>30/71-91</b> (U5LT0179, U5LT1179, 3638697M91, 4224665M91)	<b>30/72-91</b> (U5LB0053, U5LB0153, U5LB1167, 3638660M91, 4222229M91, 4224613M91)	<b>30/73-91</b> (3681H205, 3681H208, 3640916M1, 4222354M1)	<b>30/74-91</b> (3681C001, 748329M1) ou <b>30/74-109</b> (3681C003, 3641821M1)	<b>30/75-113</b> (3681M005, 3638562M1)
299 650, 660, 680	1006-6T (Blue) (UK)					
297 Adv., 298 Adv. 465 630, 640 5320, 5365	1006-6 (Blue) (Brazil)	<b>30/71-604</b> (S1007, S1006)	<b>30/72-604</b> (S1009)		<b>30/74-109</b> (3681C003, 3641821M1)	<b>30/75-113</b> (3681M007, 3638431M1)
299, 299 Adv. 475, 640 Turbo 650, 650 Adv. 660, 660 Adv. 680, 680 Adv.	1006-6T (Blue) (Brazil)		<b>30/72-605</b> (S1008)			



**FILTRES**  
**FILTERS**



**1**



**2**



**3**



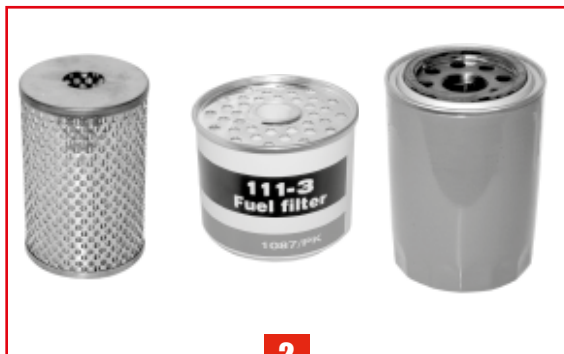
**4**

		1	2	3	4
Tracteurs Tractors	Moteur Engine	Filtere à huile Oil filter	Filtere à mazout Fuel filter	Pre-filtre Pre-filter	Cuve Sediment bowl
<b>Moteur 3 cylindres / 3 cylinder engines</b>					
250X, 250X Adv. 415	AD3.152	<b>60/97-1</b> (2654408, 1447082M91)	<b>60/111-6</b> (26560602, 1896287M91)	-	-
<b>Moteur 4 cylindres / 4 cylinder engines</b>					
265, 265 Adv. 425	A4.236	<b>60/97-2</b> (2654403, 1447048M1)	<b>60/111-6</b> (26560602, 1896287M91)	-	-
275, 275 Adv. 283, 290 610	P4000	<b>60/97-2</b> (71054, 71055, 2654403, 1447048M1)	<b>60/111-63</b> (6354129, 040880T1, 26560608, 3638291M1)	-	-
283 Adv., 290 Adv.			<b>60/111-6</b> (26560602, 1896287M91)	-	-
292	P4000T	<b>60/97-2</b> (2654403, 1447048M1)	<b>60/111-63</b> (6354129, 040880T1, 26560608, 3638291M1)	-	-
292 Adv. 460	P4000		<b>60/111-6</b> (26560602, 1896287M91)	-	<b>60/112-1</b> (26560075, 1024386M1)
435, 440, 445		P4000T	<b>60/111-63</b> (040880T1, 26560608, 3638291M1)	<b>60/111-602</b> (040879T1)	-
610 Turbo, 620	A4.41 (UK)		<b>60/111-5</b> (26560017, 1851890M91, 836218M91)	-	<b>60/112-1</b> (26560075, 1024386M1)

## FILTRES FILTERS



1



2



3



4

		1	2	3	4
Tracteurs Tractors	Moteur Engine	1 Filtre à huile Oil filter	2 Filtre à mazout Fuel filter	3 Pre-filtre Pre-filter	4 Cuve Sediment bowl
<b>Moteur 4 cylindres / 4 cylinder engines</b>					
5275, 5285, 5290 5335, 5340	P4001	<b>60/97-2</b> (2654403, 1447048M1)	<b>60/111-5</b> (26560017, 1851890M91, 836218M91)	-	<b>60/112-1</b> (26560075, 1024386M1)
5300, 5310	1004-4T (Blue) (UK)	<b>60/97-3</b> (2654407, 1447031M2)			
5300, 5310, 5355, 5360	P4001T				
<b>Moteur 6 cylindres / 6 cylinder engines</b>					
297 630, 640	1006-6 (Blue) (UK)	<b>60/97-3</b> (71058, 2654407, 1447031M2)	<b>60/111-63</b> (040880T1, 26560608, 3638291M1)	<b>60/111-602</b> (048846R1, 040879T1)	-
297 Adv., 298 Adv. 465 630, 640	1006-6 (Blue) (Brazil)		<b>60/111-6</b> (26560602, 1896287M91)		-
299	1006-6T (Blue) (UK)		<b>60/111-63</b> (040880T1, 26560608, 3638291M1)		-
299 640 Turbo	1006-6T (Blue) (Brazil)		<b>60/111-4</b> (423651, V836339371)		-
299 Adv. 475			<b>60/111-6</b> (26560602, 1896287M91)		-
650, 660, 680	1006-6T (Blue) (UK)	<b>60/97-2</b> (71054, 2654403, 1447048M1)	<b>60/111-63</b> (040880T1, 26560608, 3638291M1)	-	
650, 660, 680	1006-6T (Blue) (Brazil)		<b>60/111-4</b> (423651, V836339371)	-	

**FILTRES**  
**FILTERS**



**1**



**2**



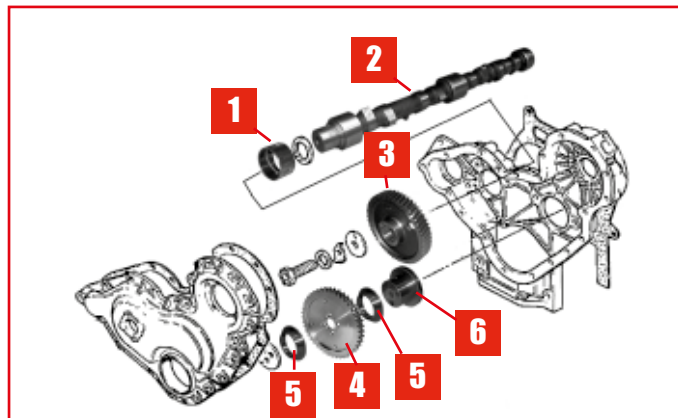
**3**



**4**

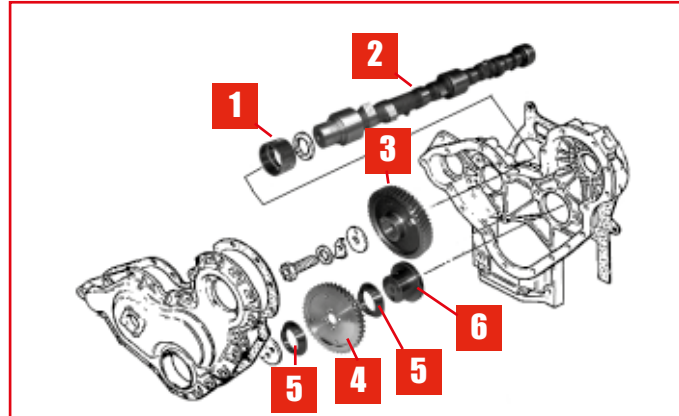
		1	2	3	4
Tracteurs Tractors	Moteur Engine	Filtre à huile Oil filter	Filtre à mazout Fuel filter	Pre-filtre Pre-filter	Cuve Sediment bowl
<b>Moteur 6 cylindres / 6 cylinder engines</b>					
650 Adv., 660 Adv., 680 Adv.	1006-6T (Blue) (Brazil)	<b>60/97-2</b> (71054, 2654403, 1447048M1)	<b>60/111-6</b> (26560602, 1896287M91)	<b>60/111-602</b> (048846R1, 040879T1)	-
5320	1006-6 (Blue) (UK)	<b>60/97-3</b> (2654407, 1447031M2)	<b>60/111-5</b> (26560017, 1851890M91, 836218M91)	-	<b>60/112-1</b> (26560075, 1024386M1)
5320, 5365	1006-6 (Blue) (Brazil)		<b>60/111-3</b> (635776, 26561117, 3405418M2)	<b>60/111-602</b> (6354130, 040879T1)	-

## DISTRIBUTION TIMING GEAR



		1	2	3	4	5	6
<b>Tracteurs Tractors</b>	<b>Moteur Engine</b>	<b>Bague Camshaft bush</b>	<b>Arbre à cames Camshaft</b>	<b>Pignon Camshaft gear</b>	<b>Pignon Idler gear</b>	<b>Bague Idler gear bush</b>	<b>Bague Idler hub</b>
<b>Moteur 3 cylindres / 3 cylinder engines</b>							
250X, 250X Adv. 415	AD3.152	<b>30/56-600</b> (31134128, 740458M1)	<b>30/80-1</b> (31415261, 733507M1)	<b>30/81-13</b> (31164131, 3117F081, 3637541M1, 4222611M1)	<b>30/82-13</b> (4111A015, 3638219M91)	<b>30/84-7</b> (2511A735, 3637942M1)	<b>30/83-3</b> (0995447, 731204M1)
<b>Moteur 4 cylindres / 4 cylinder engines</b>							
265, 265 Adv. 425	A4.236	<b>30/56-1</b> (70998033, 31134165, 4222017M1)	<b>30/80-7</b> (31415371, 31415374, 31415375, 3637537M1, 3641841M91)	<b>30/81-10</b> (31171931, 31171138, 3637421M1)	<b>30/82-12</b> (41115018, 4111A013, 3637075M91)	<b>30/84-8</b> (0050345, 731033M1)	<b>83-601</b> (33426161, 3311A054, 70998001, 70998172, 735852M1, 4226761M1)
275, 275 Adv. 283, 283 Adv. 290, 290 Adv. 435, 440, 445, 610 5275, 5285, 5290 5335, 5340	P4000 P4001						
292, 292 Adv. 460 610 Turbo, 620 5300, 5310, 5355, 5360	P4000T P4001T		<b>30/80-13</b> (31415373, 31415382, 31415384, 3637538M1, 3638108M1, 3641843M91)	<b>30/81-14</b> (3117L012, 3641740M1)	<b>30/82-14</b> (4111A016, 3638220M91)		
5275, 5285, 5290	A4.41 (UK)		<b>30/80-12</b> (31415363, 3641840M91)				
5300, 5310	1004-4T (Blue) (UK)						

**DISTRIBUTION**  
**TIMING GEAR**



		1	2	3	4	5	6	
Tracteurs Tractors	Moteur Engine	Bague Camshaft bush	Arbre à cames Camshaft	Pignon Camshaft gear	Pignon Idler gear	Bague Idler gear bush	Bague Idler hub	
<b>Moteur 6 cylindres / 6 cylinder engines</b>								
297 630, 640 5320	1006-6 (Blue) (UK)	30/56-1 (31134164, 31134165, 3638579M1, 4222017M1)	30/80-11 (31416307, 3641738M1)	30/81-12 (3117L023, 3641739M1)	30/82-12 (4111A013, 3637075M91) GA (63 Dents) LH (63 teeth)	30/84-8 (0050345, 731033M1) Gauche LH	30/83-601 (33426161, 3311A054, 735852M1, 4226761M1) Gauche LH	
299 650, 660, 680	1006-6T (Blue) (UK)			30/81-14 (3117L011, 3117L012, 748182M1, 3641740M1)	30/82-16 (4111A008, 748072M91) DR (27 Dents) RH (27 teeth)	30/84-11 (2511437, 1447752M1) Droit RH		
297 Adv., 298 Adv. 465 630, 640 5320, 5365	1006-6 (Blue) (Brazil)			30/81-14 (3117L012, 3641740M1)	30/82-12 (41115018, 4111A013, 3637075M91)	30/84-8 (0050345, 731033M1)	30/83-601 (3311A054, 70998172, 4226761M1)	
299, 299 Adv. 475, 640 Turbo 660, 660 Adv.	1006-6T (Blue) (Brazil)							
650, 650 Adv.								30/81-10 (31171931, 31171138, 3637421M1)
680, 680 Adv.								30/81-14 (3117L012, 3641740M1)
				30/81-12 (3117L023, 3641739M1)				

## LUBRIFICATION LUBRICATION



1



2



3



4



5



6

		1	2	3	4	5	6
Tracteurs Tractors	Moteur Engine	Bouchon Oil filler cap	Bouchon de vidange Sump drain plug	Joint de bouchon vid. Plug "O" ring	Pompe à huile Oil pump	Pignon d'équilibreur Pump idler gear	Bague Idler bush
<b>Moteur 3 cylindres / 3 cylinder engines</b>							
250X, 250X Adv 415	AD3.152	<b>30/85-2</b> (2487854, 734962M91)	<b>30/88-1</b> (32186405, 748160M1)	<b>30/6088-600</b> (2415715, 3638382M1)	<b>30/90-1</b> (41314187, 3637359M91)	<b>30/91-1</b> (41115086, 3637351M91)	<b>30/84-5</b> (0050265, 731236M1)
<b>Moteur 4 cylindres / 4 cylinder engines</b>							
265, 265 Adv. 425	A4.236	<b>30/85-601</b> (70150038)	<b>30/88-1</b> (2487004, 376501X1)	<b>30/6088-600</b> (70920008, 70920109, 2415715, 3638382M1)	-	-	-
275, 275 Adv. 283, 283 Adv. 290, 290 Adv. 435, 440, 445, 610 5275, 5285, 5290 5335, 5340	P4000 P4001		<b>30/88-602</b> (70650008)		-	-	-
292, 292 Adv. 460 610 Turbo, 620 5300, 5310, 5355, 5360	P4000T P4001T		<b>30/90-13</b> (4132F021, 4132F041, 3637489M91)		-	-	-
5275, 5285, 5290	A4.41 (UK)	<b>30/85-22</b> (4142X098, 3641889M1)	<b>30/88-1</b> (32186405, 748160M1)	-	-	-	
5300, 5310	1004-4T (Blue) (UK)	<b>30/85-3</b> (2487845, 1851753M1)	-	-	-	-	

**LUBRIFICATION**  
*LUBRICATION*



1



2



3



4



5



6

		1	2	3	4	5	6
Tracteurs Tractors	Moteur Engine	Bouchon Oil filler cap	Bouchon de vidange Sump drain plug	Joint de bouchon vid. Plug "O" ring	Pompe à huile Oil pump	Pignon d'équilibre Pump idler gear	Bague Idler bush
<b>Moteur 6 cylindres / 6 cylinder engines</b>							
297 630, 640 5320	1006-6 (Blue) (UK)	<b>30/85-21</b> (3781A003, 748219M1) ou or <b>30/85-22</b> (4142X098, 3641889M1)				-	-
297 Adv., 298 Adv. 465 630, 640	1006-6 (Blue) (Brazil)	<b>30/85-22</b> (4142X098, 3641889M1)	<b>30/88-1</b> (32186405, 748160M1)	<b>30/6088-600</b> (70920109, 2415715, 3638382M1)	<b>30/90-51</b> (4132F043, 3638595M91)	-	-
5320, 5365		<b>30/85-21</b> (3781A003, 748219M1)				-	-
299 650, 660, 680	1006-6T (Blue) (UK)	<b>30/85-21</b> (3781A003, 748219M1) ou or <b>30/85-22</b> (4142X098, 3641889M1)			<b>30/90-54</b> (4132F057, 3641171M91)	-	-
299, 299 Adv. 475, 640 Turbo 650, 650 Adv. 660, 660 Adv. 680, 680 Adv.	1006-6T (Blue) (Brazil)	<b>30/85-22</b> (4142X098, 3641889M1)				-	-

## LUBRIFICATION LUBRICATION



		1	2	3	4	5	6
<b>Tracteurs</b> <i>Tractors</i>	<b>Moteur</b> <i>Engine</i>	<b>Equilibreur</b> <i>Balancer unit</i>	<b>Kit de reparation</b> <i>Repair kit</i>	<b>Arbre gauche</b> <i>Drive shaft</i>	<b>Arbre droit</b> <i>Driven shaft</i>	<b>Bague avant</b> <i>Front bearing</i>	<b>Bague arrière</b> <i>Rear bearing</i>
<b>Moteur 4 cylindres / 4 cylinder engines</b>							
265, 265 Adv. 425	A4.236						
275, 275 Adv. 283, 283 Adv. 290, 290 Adv. 435, 440, 445, 610 5275, 5285, 5290 5335, 5340	P4000 P4001	<b>30/90-601</b> (70998135, 70991809)	<b>30/92-601</b> (B92601) <b>(A)</b>	<b>30/93-601</b> (70750043)	<b>30/93-602</b> (70750044, 70750045)	<b>30/89-601</b> (70998103)	<b>30/89-602</b> (70998104)
		<b>7</b>	<b>8</b>	<b>9</b>	<b>10</b>	<b>11</b>	<b>12</b>
<b>Tracteurs</b> <i>Tractors</i>	<b>Moteur</b> <i>Engine</i>	<b>Pignon d'équilibre</b> <i>Drive gear</i>	<b>Pignon d'équilibre</b> <i>Driven gear</i>	<b>Cale</b> <i>Woodruff key</i>	<b>Axe</b> <i>Dowel pin</i>	<b>Pignon d'équilibre</b> <i>Balancer gear</i>	<b>Couvercle</b> <i>Hub</i>
<b>Moteur 4 cylindres / 4 cylinder engines</b>							
265, 265 Adv 425	A4.236					<b>30/94-6</b> (31164581, 31164582, 746694M1)	
275, 275 Adv. 283, 283 Adv. 290, 290 Adv. 435, 440, 445, 610 5275, 5285, 5290 5335, 5340	P4000 P4001	<b>30/94-602</b> (70998129)	<b>30/94-603</b> (70998128)	<b>30/94-4</b> (2576675, 376588X1)	<b>30/94-5</b> (32455123, 734849M1)		<b>30/99-1</b> (33451801, 734905M2)
						<b>30/94-606</b> (70998174)	

(A) Le kit 30/92-601 contient une pièce de chaque 30/93-601, 30/93-602, 30/94-602, 30/94-603 & 30/94-5 et deux pièces de chaque 30/89-601, 30/89-602 & 30/94-4.  
 (A) Contents of 30/92-601 are 1 each of 30/93-601, 30/93-602, 30/94-602, 30/94-603 & 30/94-5 and 2 each of 30/89-601, 30/89-602 & 30/94-4.



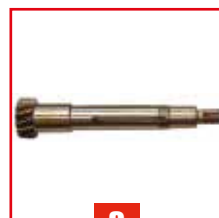
**LUBRIFICATION**  
*LUBRICATION*



**1**



**2**



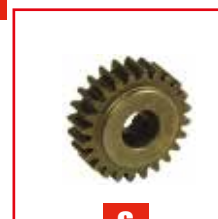
**3**



**4**



**5**



**6**

		1	2	3	4	5	6
<b>Tracteurs</b> <i>Tractors</i>	<b>Moteur</b> <i>Engine</i>	<b>Equilibreur</b> <i>Balancer unit</i>	<b>Pompe à huile</b> <i>Oil pump</i>	<b>Arbre</b> <i>Drive shaft</i>	<b>Bague avant</b> <i>Front bearing</i>	<b>Bague arrière</b> <i>Rear bearing</i>	<b>Pignon equilibreur</b> <i>Balancer gear</i>

**Moteur 4 cylindres / 4 cylinder engines**

292, 292 Adv. 460 610 Turbo, 620 5300, 5310 5355, 5360	P4000T P4001T	<b>30/90-18</b> (4111K057, 4111K062, 4111K093, 3637592M91, 4224108M91)	<b>30/90-13</b> (4132F021, 4132F041, 3637489M91)	<b>30/93-10</b> (3117V003, 3637593M1)	<b>30/89-5</b> (2551A009, 1447727M91)	<b>30/89-6</b> (2551A014, 1447723M1)	<b>30/94-11</b> (3116W001, 746954M1)
5300, 5310	1004-4T (Blue) (UK)						
5275, 5285, 5290	A4.41 (UK)	<b>30/90-17</b> (4111K055, 4111K059, 4111K091, 3638368M91, 4224107M91, 4226792M91)					

## POMPE & SYSTÈME D'INJECTION PUMPS & INJECTION



**1**



**2**

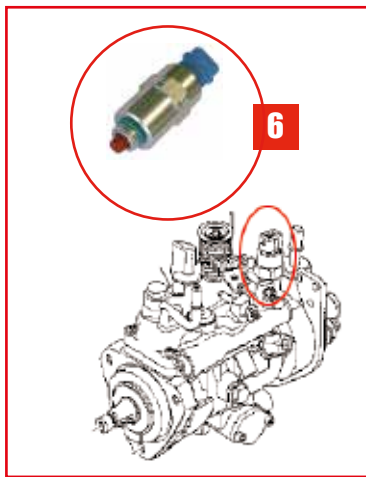


**3**



**4**

**5**



**6**

		1	2	3	4	5	6
Tracteurs Tractors	Moteur Engine	Bougie préchauff. Thermostart	Pompe d'alimentation Fuel pump	Kit de réparation Repair kit	Nez d'injecteur Injector nozzle	Joint Nozzle washer	Bobine d'arrêt Shut-off solenoid
<b>Moteur 3 cylindres / 3 cylinder engines</b>							
250X, 250X Adv. 415	AD3.152	30/60-2 (2802106M1, 893501M91)	30/100-19 (ULPK0004, 4222090M91)	30/101-10 (26410087, ULPR0005, 1896434M91, 4222125M91)	30/117-35 (2645C620, 2645L604, 3639738M1, 4222905M1)	30/118-2 (0921173, 376091X1)	-
<b>Moteur 4 cylindres / 4 cylinder engines</b>							
265, 265 Adv. 425	A4.236	30/60-2 (2802106M1, 893501M91)	-	-	30/117-601 (77341)	30/118-2 (70920081, 0921173, 376091X1)	-
275, 283, 283 Adv. 290, 290 Adv. 440, 445	P4000		-	-	30/117-602 (77496)		30/7101-16 (28730179, 26420472, 1896464M1, 4224670M1)
275 Adv. (Colecteur vertical / Vertical Exhaust) 435	P4000		30/100-602 (72081, 72111)	-	-		30/7101-6 (26420469, 4224321M1)
610 (054560T1)			-	-	30/7101-14 (74083) (→B602438E)		
610 Turbo			-	-	30/7101-16 (28730179, 26420472, 1896464M1, 4224670M1) (B602439E→)		
620 (039505T1)	P4000T		-	-	30/117-603 (77405)		30/118-603 (70920104)
292, 292 Adv. 460 620 (054556T1)		-	-	-	30/7101-16 (28730179, 26420472, 1896464M1, 4224670M1)		

**POMPE & SYSTÈME D'INJECTION**  
**PUMPS & INJECTION**



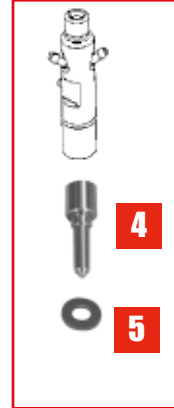
1



2

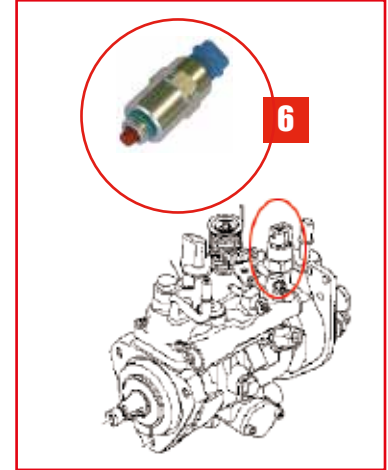


3



4

5



6

		1	2	3	4	5	6
<b>Tracteurs</b> <i>Tractors</i>	<b>Moteur</b> <i>Engine</i>	<b>Bougie préchauff.</b> <i>Thermostart</i>	<b>Pompe d'alimentation</b> <i>Fuel pump</i>	<b>Kit de réparation</b> <i>Repair kit</i>	<b>Nez d'injecteur</b> <i>Injector nozzle</i>	<b>Joint</b> <i>Nozzle washer</i>	<b>Bobine d'arrêt</b> <i>Shut-off solenoid</i>

**Moteur 4 cylindres / 4 cylinder engines**

5275, 5285, 5290 5335, 5340	P4001	30/60-2 (2802106M1, 893501M91)	30/100-602 (72081, 72111)	-	30/117-602 (77496)	30/118-2 (70920081, 0921173, 376091X1)	30/7101-16 (28730179, 26420472, 1896464M1, 4224670M1)
5300, 5310 5355, 5360	P4001T				30/117-604 (77237)		
5275, 5285, 5290	A4.41 (UK)	30/60-3 (2666108, 1446935M1, 3583543M2)	30/100-32 (ULPK0005, ULPK0034, 4222106M91, 4224451M91)	30/101-618 (ULPR0001, 4222326M91)	30/117-37 (2645K602, 3637319M1)		
5300, 5310	1004-4T (Blue) (UK)				30/117-155 (2645A613, 3640923M1)		

**Moteur 6 cylindres / 6 cylinder engines**

297 630, 640	1006-6 (Blue) (UK)	30/60-2 (2802106M1, 893501M91)	30/100-25 (2641A070, ULPK0002, 3641400M91, 4222105M91)	30/101-31 (ULPR0002, 4222219M91)	30/117-135 (2645A608, 3637195M1)	30/118-2 (70920081, 0921173, 376091X1)	30/7101-16 (28730179, 26420472, 1896464M1, 4224670M1)
5320		30/60-3 (2666108, 1446935M1, 3583543M2)					
299	1006-6T (Blue) (UK)	30/60-2 (2802106M1, 893501M91)			30/117-147 (2645L616, 3640674M1)		
650					30/117-156 (2645A616, 3637148M1)		
660					30/117-167 (2645A606, 3637169M1)		

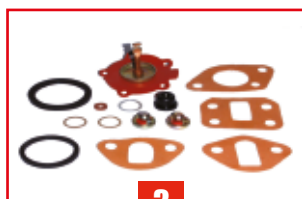
## POMPE & SYSTÈME D'INJECTION PUMPS & INJECTION



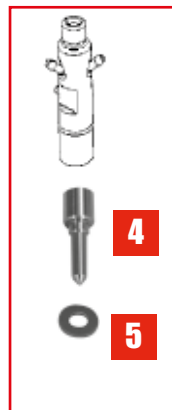
**1**



**2**

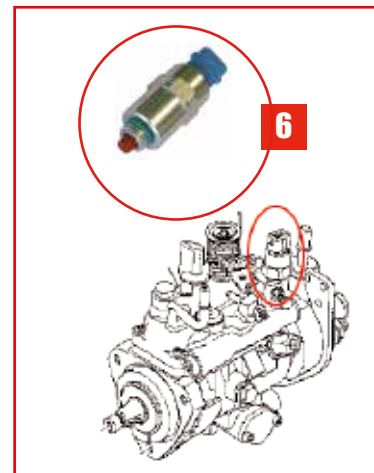


**3**



**4**

**5**



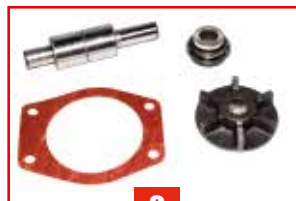
**6**

		1	2	3	4	5	6
Tracteurs Tractors	Moteur Engine	Bougie préchauff. Thermostart	Pompe d'alimentation Fuel pump	Kit de réparation Repair kit	Nez d'injecteur Injector nozzle	Joint Nozzle washer	Bobine d'arrêt Shut-off solenoid
<b>Moteur 6 cylindres / 6 cylinder engines</b>							
680	1006-6T (Blue) (UK)	30/60-2 (2802106M1, 893501M91)	30/100-25 (2641A070, ULPK0002, 3641400M91, 4222105M91)	30/101-31 (ULPR0002, 4222219M91)	30/117-153 (2645L605, 3640672M1)	30/118-2 (70920081, 0921173, 376091X1)	30/7101-16 (28730179, 26420472, 1896464M1, 4224670M1)
297 Adv., 298 Adv. 465 630, 640 5320, 5365	1006-6 (Blue) (Brazil)		30/100-604 (72096, 72096R)	30/101-604 (26410149, ULPR0013, 1896401M91, 4222175M91)	30/117-135 (2645A608, 3637195M1)		
299, 299 Adv. 475, 640 Turbo 650, 650 Adv.	1006-6T (Blue) (Brazil)				30/117-156 (2645A616, 3637148M1)		
660, 660 Adv. 680, 680 Adv.					30/117-167 (2645A606, 3637169M1)		

**REFROIDISSEMENT**  
**COOLING SYSTEM**



1



2



3



4



5



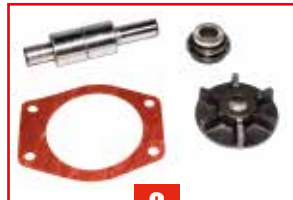
6



7

		1	2	3	4	5	6	7
Tracteurs Tractors	Moteur Engine	Pompe à eau Water pump	Kit de réparation Repair kit	Durite by-pass By-pass hose	Kit de durite Inlet hose kit	Thermostat Thermostat	Joint thermost. Thermostat gasket	Porte therm. Therm. housing
<b>Moteur 3 cylindres / 3 cylinder engines</b>								
250X, 250X Adv. 415	AD3.152	<b>30/130-6</b> (U5MW0097, 3641823M91)	<b>30/131-2</b> (U7LW0105, 3641392M91)	<b>30/141-3</b> (U5MH0006, 747936M91)	<b>30/142-1</b> (U5MH0001, 747939M91)	<b>30/143-3</b> (2485666, 1446165M91)	<b>30/147-12</b> (0490184, 36834169, 1650482M1, 4222057M1)	<b>30/146-3</b> (37766363, 746835M1)
<b>Moteur 4 cylindres / 4 cylinder engines</b>								
265, 265 Adv 425	A4.236	<b>30/130-601</b> (70992287, 4236253)	<b>30/131-601</b> (424857)	<b>30/141-10</b> (33814311, U5MH0052, 3637572M1, 3638251M91)	-	<b>30/143-3</b> (70998003, 2485666, 1446165M91)	<b>30/147-14</b> (36862151, 36862201, 735641M1, 4222011M1)	-
275, 275 Adv. 283, 283 Adv. 290, 290 Adv. 435, 440, 445	P4000			-	-			-
610	P4000	<b>30/130-602</b> (70992424, 4236254)	<b>30/131-602</b> (4236120)	-	-	<b>30/143-602</b> (70998113)	<b>30/147-15</b> (36834147, 36834152, 745106M1, 3641766M1)	-
292, 292 Adv. 460 610 Turbo, 620	P4000T			<b>30/141-10</b> (33814311, U5MH0052, 3637572M1, 3638251M91)	-			-
5275, 5285, 5290 5335, 5340	P4001			-	<b>30/142-9</b> (3482T004, U5MH0047, 3637573M91)			-
5300, 5310 5355, 5360	P4001T	-	-	-	-	-	-	-
5275, 5285, 5290	A4.41 (UK)	<b>30/130-31</b> (U5MW0108, 4222002M91)	<b>30/131-31</b> (U7LW0096, 3641333M91)	<b>30/141-131</b> (U5MH0053, 3640921M91)	-	<b>30/143-18</b> (2485613, 1447384M1)		-
5300, 5310	1004-4T (Blue) (UK)				-			-

## REFROIDISSEMENT COOLING SYSTEM



		1	2	3	4	5	6	7	
Tracteurs Tractors	Moteur Engine	Pompe à eau Water pump	Kit de réparation Repair kit	Durite by-pass By-pass hose	Kit de durite Inlet hose kit	Thermostat Thermostat	Joint thermost. Thermostat gasket	Porte therm. Therm. housing	
<b>Moteur 6 cylindres / 6 cylinder engines</b>									
297 630, 640	1006-6 (Blue) (UK)	<b>30/130-193</b> (U5MW0159, 4223109M91)	<b>30/131-197</b> (U7LW0148, 4222456M91)	<b>30/141-133</b> (33854114, U5MH0050, 3637257M91)	-	<b>30/143-18</b> (2485613, 1447384M1)		-	
299 650, 660, 680	1006-6T (Blue) (UK)	<b>30/130-199</b> (U5MW0160, 4222466M91)	<b>30/131-91</b> (U7LW0151, 4222467M91)		-				
297 Adv., 298 Adv. 465 630, 640	1006-6 (Blue) (Brazil)	<b>30/130-193</b> (4131E018, U5MW0159, 4223109M91)	<b>30/131-197</b> (U7LW0148, 4222456M91)		-	<b>30/143-602</b> (70998113)			<b>30/147-20</b> (3684A004, 3638700M1)
299, 299 Adv. 475, 640 Turbo 650, 650 Adv. 660, 660 Adv. 680, 680 Adv.	1006-6T (Blue) (Brazil)	<b>30/130-199</b> (4131E021, U5MW0160, 4222466M91)	<b>30/131-91</b> (U7LW0151, 4222467M91)		-				
5320	1006-6 (Blue) (UK)	<b>30/130-193</b> (4131E018, U5MW0159, 4223109M91)	<b>30/131-197</b> (U7LW0148, 4222456M91)		-	<b>30/143-18</b> (2485613, 1447384M1)			-
5320, 5365	1006-6 (Blue) (Brazil)				-	<b>30/143-602</b> (70998113)			-

## COURROIES, ALTERNATEURS ET DÉMARREURS BELTS, ALTERNATORS & STARTERS MOTOR



1



2



3



4



5

		1	2	3	4	5
Tracteurs Tractors	Moteur Engine	Renvoi d'angle Tachemeter drive	Courroie Fan belt	Courroie compr. Compressor belt	Alternateur Alternator	Démarrreur Starter motor
<b>Moteur 3 cylindres / 3 cylinder engines</b>						
250X, 250X Adv. 415	AD3.152	-	<b>30/144-702</b> (487802M2)	-	<b>62/920-600 (B)</b> (3589435M91, 6228051M91, 6237273M91, 6283263M91)	<b>62/930-600</b> (033913T1, 191068M94, 3821819M91)
<b>Moteur 4 cylindres / 4 cylinder engines</b>						
265, 265 Adv. 425	A4.236	<b>30/58-601</b> (73071)		-	<b>62/920-600 (B)</b> (3589435M91, 6228051M91, 6237273M91, 6283263M91)	<b>62/930-601</b> (1482841M92)
275, 283, 290 435, 440, 445	P4000	-		-		
292 460	P4000T P4001T	-		-		
275 Adv., 283 Adv., 290 Adv.	P4000 P4001	-	<b>30/144-703</b> (2801859M1)	<b>30/144-702</b> (487802M2)	<b>62/920-600 (B)</b> (3589435M91, 6228051M91, 6237273M91, 6283263M91) Sans cabine Without Cab	
292 Adv.	P4000T P4001T	-	<b>30/144-704</b> (3412285M2)	<b>30/144-702</b> (487802M2)	<b>62/920-602 (C)</b> (060189N1, 071077N1, 6216929M91) Avec cabine With Cab	
610	P4000	-	<b>30/144-705</b> (040560T1)	-	<b>62/920-600 (B)</b> (3589435M91, 6228051M91, 6237273M91, 6283263M91)	
610 Turbo, 620	P4000T	-	<b>30/144-706</b> (3145238M1)	-		

(B) 62/920-600 est 14V 55A sans poulie. Reference d'origine 6283263M91 est complet avec poulie simple.

(B) 62/920-600 is 14V 55A without pulley. OE reference 6283263M91 is complete with single pulley.

(C) 62/920-602 est 14V 95A sans poulie. Reference d'origine 6216927M91 est complet avec poulie simple. la reference d'origine 6216929M91 est complet avec deux poulies.

(C) 62/920-602 is 14V 95A without pulley. OE reference 6216927M91 is complete with single pulley. OE reference 6216929M91 is complete with twin pulley.

## COURROIES, ALTERNATEURS ET DÉMARREURS BELTS, ALTERNATORS & STARTERS MOTOR



**1**



**2**



**3**



**4**



**5**

		1	2	3	4	5
Tracteurs Tractors	Moteur Engine	Renvoi d'angle Tachemeter drive	Courroie Fan belt	Courroie compr. Compressor belt	Alternateur Alternator	Démarrreur Starter motor
Moteur 4 cylindres / 4 cylinder engines						
5275, 5285, 5290	A4.41 (UK)	-	<b>30/144-707</b> (049880T1)	<b>30/144-702</b> (487802M2)	<b>62/920-600 (B)</b> (3589435M91, 6228051M91, 6237273M91, 6283263M91) Sans cabine Without Cab	<b>62/930-601</b> (1482841M92)
5275, 5285, 5290	P4001	-	<b>30/144-707</b> (049880T1) <b>30/144-248 (A)</b> (3808705M1) Avec airco With A/C			
5300, 5310	1004-4T (Blue) (UK)	-	<b>30/144-249 (A)</b> (3808730M1)	<b>62/920-602 (C)</b> (060189N1, 071077N1, 6216929M91) Avec cabine With Cab		
5300, 5310	P4001T	-	<b>30/144-707</b> (049880T1) <b>30/144-708 (A)</b> (054315T1) Avec airco With A/C			
5335, 5340	P4001	-	<b>30/144-709</b> (072727T1) <b>30/144-714 (A)</b> (072729T1) Avec airco With A/C	<b>30/144-294</b> (3809174M1)	<b>62/920-600 (B)</b> (3589435M91, 6228051M91, 6237273M91, 6283263M91) ou / or <b>62/920-602 (C)</b> (060074T1, 072625N1, 6216927M91) Sans cabine Without Cab	
5355, 5360	P4001T	-	<b>30/144-707</b> (049880T1) ou / or <b>30/144-709</b> (072727T1) <b>30/144-248 (A)</b> (3808705M1) ou / or <b>30/144-714 (A)</b> (072729T1) Avec airco With A/C			

(A) Pair de première scourroies dentées / Pair of raw edged cogged belts.

(B) 62/920-600 est 14V 55A sans poulie. Reference d'origine 6283263M91 est complet avec poulie simple.

(B) 62/920-600 is 14V 55A without pulley. OE reference 6283263M91 is complete with single pulley.

(C) 62/920-602 est 14V 95A sans poulie. Reference d'origine 6216927M91 est complet avec poulie simple. Reference d'origine 6216929M91 est complet avec deux poulies.

(C) 62/920-602 is 14V 95A without pulley. OE reference 6216927M91 is complete with single pulley. OE reference 6216929M91 is complete with twin pulley.



## COURROIES, ALTERNATEURS ET DÉMARREURS BELTS, ALTERNATOR & STARTER MOTOR



1



2



3



4



5

		1	2	3	4	5
Tracteurs Tractors	Moteur Engine	Renvoi d'angle Tachemeter drive	Courroie Fan belt	Courroie compr. Compressor belt	Alternateur Alternator	Démarrreur Starter motor
<b>Moteur 6 cylindres / 6 cylinder engines</b>						
297 465	1006-6 (Blue) (UK)	-	<b>30/144-706</b> (3145135M91, 3145238M1)	-	<b>62/920-620 (D)</b> (3589442M91, 6228053M91, 6237274M91, 6283264M91)	
299 475	1006-6T (Blue) (UK)	-		-		
297 Adv., 298 Adv.	1006-6 (Blue) (Brazil)	-	<b>30/144-706</b> (3145238M1)	<b>30/144-702</b> (487802M2)	<b>62/920-620 (D)</b> (3589442M91 6228053M91, 6237274M91, 6283264M91) Sans cabine Without Cab	
299 Adv.	1006-6T (Blue) (Brazil)	-				
630, 640	1006-6 (Blue) (UK & Brazil)	-	<b>30/144-712</b> (036720T1, 6214645M1)	-	<b>62/920-620 (D)</b> (3589442M91, 6228053M91, 6237274M91, 6283264M91)	
640 Turbo	1006-6T (Blue) (UK & Brazil)	-		-		
650, 650 Adv. 660, 660 Adv. 680, 680 Adv.	1006-6T (Blue) (UK & Brazil)	-	<b>30/144-249 (A)</b> (3808730M1)	<b>30/144-702</b> (487802M2)	<b>62/920-620 (D)</b> (3589442M91 6228053M91, 6237274M91, 6283264M91) Sans cabine Without Cab	
5320	1006-6 (Blue) (UK & Brazil)	-		<b>30/144-250</b> (3809175M1)		
5365	1006-6 (Blue) (Brazil)	-	<b>30/144-713 (A)</b> (072728T1)		<b>62/920-621 (E)</b> (060188N1, 071078N1, 6228057M91) Avec cabine With Cab	

A) Pair de première scourroies dentées / Pair of raw edged cogged belts.

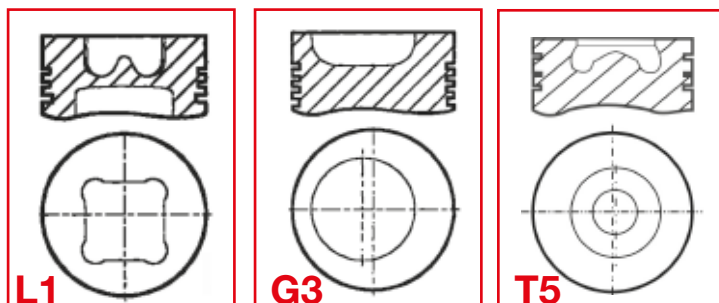
(D) 62/920-620 est 14V 55A sans poulie. Reference d'origine 6283264M91 est complet avec deux poulie.

(D) 62/920-620 is 14V 55A without pulley. OE reference 6283264M91 is complete with twin pulley.

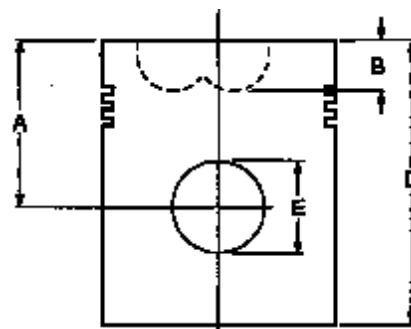
(E) 62/920-621 est 14V 120A sans poulie. Reference d'origine 6228057M91 est complet avec deux poulie.

(E) 62/920-621 is 14V 120A without pulley. OE reference 6228057M91 is complete with twin pulley.























## PISTONS & JEUX DE SEGMENTS PISTONS & RING SETS



Réf. Ref.	Type	Alésage Bore Ø	Segm. Rings	Al-fin Al-fin	A (mm)	B (mm)	D (mm)	E (mm)
30/33-108	L1	100.00	3	y	70.02	19.48	108.06	38.10
30/33-176					69.97	20.13	107.98	
30/33-183	G3	101.05		n	70.15	20.98	120.92	34.92
30/33-602					70.50	21.25	108.50	
30/33-603	T5			y	70.55	21.00	108.55	
30/33-605	L1	100.00			70.05	19.50	108.00	38.10



- A : Hauteur de compression (mm)  
Compression height (mm)
- B : Profondeur de la chambre de combustion (mm)  
Combustion bowl depth (mm)
- D : Hauteur totale (mm)  
Overall length (mm)
- E : Diamètre de l'axe de piston (mm)  
Gudgeon pin diameter (mm)

Réf. Ref.	Alésage Bore Ø	No.1	No.2	No.3	No.4
30/34-8	91.49	CP1  2.38	P2  2.38	P2  2.38	CBEH  4.76
30/34-108	100.00	CK2  3.50	TN1  2.50	CBEH  4.00	
30/34-176		MR2  2.50	CTN1  2.50	CBEH  4.00	
30/34-183	101.05	MR2  2.50	CT2  2.50	CBEH  5.00	
30/34-602		MK1  3.00	T5  2.50	CBEH  4.00	
30/34-604	100.00	MR2  2.50	CTN1  2.50	CBEH  4.00	
30/34-605		MK2  3.50	CTN1  2.50	CBEH  4.00	

CBEH : Chromé chanfreiné avec ressort hélicoidal / *Chrome plated bevelled edge with helical coil spring*

CK2: Trapezoïdal bilatéral chromé / *Chrome plated keystone internally stepped*

CP1: Rectangulaire chromé / *Chrome plated parallel faced*

CT2: Portée conique chromé épaulement intérieur en haut / *Chrome plated taper faced internally stepped top*

CTN1: Bec d'aigle portée conique chromé - intérieur en bas avec simple crochet / *Chrome taper faced Napier - externally stepped bottom with single hook*

MK1 : Trapézoïdal bilatéral molybdène / *Molybdenum coated keystone*

MK2: Trapézoïdal bilatéral molybdène intérieur en haut / *Molybdenum coated keystone internally stepped top*

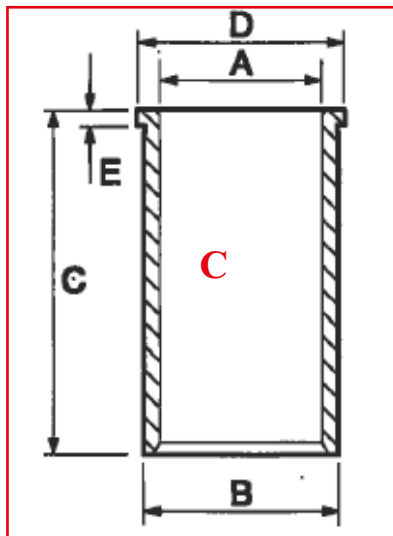
MR2: Portée bombée molybdène épaulement intérieur en haut / *Molybdenum plated barrel faced internally stepped top*

P2: Rectangulaire épaulement intérieur en haut / *Parallel faced internally stepped top*

T5 : Portée conique épaulement intérieur / *Taper faced internally bevelled bottom (Reverse torsion)*

TN1 : Portée conique bec d'aigle- intérieur en bas avec simple crochet / *Taper faced Napier - externally stepped bottom with single hook*

## CHEMISES & SOUPAPES LINERS & ENGINE VALVES



A : Alésage (mm) / Nominal bore diameter (mm)

D : Diamètre colerette (mm) / Flange diameter

B : Diamètre extérieur (mm) / Outside diameter (mm)

E : Hauteur colerette (mm) / Flange width (mm)

C : Hauteur totale (mm) / Overall length (mm)

### Chemises finies / Fully-finished liners

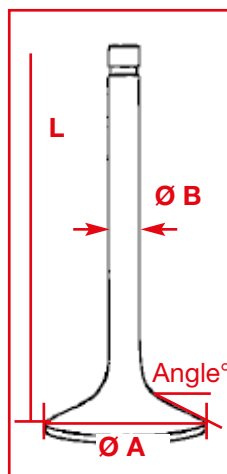
Réf. Ref.	Type Type	A (mm)	B (mm)	C (mm)	D (mm)	E (mm)
30/35-7	C	91.49	93.66	216.03	96.72	3.81
30/35-23		101.05	104.20	226.44	107.37	
30/35-108		100.00	104.33		107.44	

### Chemises semi-finies / Semi-finished liners

Réf. Ref.	Type Type	A (mm)	B (mm)	C (mm)	D (mm)	E (mm)
30/36-7	C	91.49	93.71	216.03	96.72	3.81
30/36-23		101.05	104.20	226.44	107.37	
30/36-108		100.00	104.33		107.44	

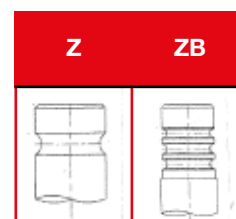
### Admission / Inlet

Réf. Ref.	ØA (mm)	ØB (mm)	L (mm)	Angle (°)	Nb de raynure Stem End
30/42-5	39.00	7.9	114.3	35	Z
30/42-38	45.00	9.5	122.9	45	
30/42-39			123.0	30	
30/42-71			122.8	45	
30/42-601	122.9	ZB			
30/42-602	44.2		122.7	30	
30/42-603	45.00	9.5	122.6	30	Z
30/42-604			122.9	45	
30/42-605			123.0	30	



### Echappement / Outlet

Réf. Ref.	ØA (mm)	ØB (mm)	L (mm)	Angle (°)	Nb de raynure Stem End
30/43-5	33.4	7.9	114.2	35	Z
30/43-26	37.4	9.5	123.3	45	
30/43-601	36.6				123.2
30/43-602	38.2		ZB		



**BEPKO PARTS SA****HERMALLE-SOUS-HUY**

Rue Chaumont, 4D • 4480 Hermalle-sous-Huy • Belgique  
T +32 85 24 54 00 • F +32 85 24 54 50  
info.be@bepcoparts.com • www.bepcoparts.com

**VILLERS-LE-BOUILLET**

Rue de Waremme, 114 • 4530 Villers-le-Bouillet • Belgique  
T +32 85 24 54 00 • F +32 85 24 54 50  
info.be@bepcoparts.com • www.bepcoparts.com

**BEPKO UK LTD**

Bepco House • Unit 316 • Hartlebury Trading Estate  
Hartlebury - Worcestershire, DY10 4JB (UK)  
P +44 (0)1299 252270 • F 0800 216553  
info@bepcoparts.com • www.bepcoparts.com

**BEPKO FRANCE SAS**

Z.I. La Plaine, Allée de Bigorre  
BP80041 Le Passage • 47901 Agen Cedex 9 • France  
T +33 (0)553 96 31 25 • F +33 (0)553 68 03 72  
info.fr@bepcoparts.com • www.bepcoparts.com

**VILLENEUVE-SUR-LOT**

294 Av. de Bordeaux • CS 30059 Bias  
FR-47302 Villeneuve sur lot • France  
T +33 (0)5 53 40 37 50 • F +33 (0)5 53 70 61 93

**JANZÉ**

P.A. de la Chauvelière • Rue Charles Lindbergh  
35150 JANZE • France  
T + 33 (0)2 99 44 16 18 • F +33 (0)2 99 44 17 29

**TVH AUSTRALASIA PTY LTD**

HEAD OFFICE BRISBANE • www.bepcoparts.com

**ADELAIDE**

96 South Terrace • Wingfield SA 5013  
Free 1800 182 344 • T +61 8 8359 8933 • F +61 8 8234 2212  
BepcoSAsales@tvh.com.au

**BRISBANE**

735 Boundary Road • Richlands QLD 4077  
Free 1800 020 082 • T +61 7 3344 1113 • F +61 7 3344 1332  
BepcoQLDsales@tvh.com.au

**MELBOURNE**

7/66-74 Micro Circuit • Dandenong South VIC 3175  
Free 1800 802 367 • T +61 3 9796 5422 • F +61 3 9796 5251  
BepcoVICsales@tvh.com.au

**PERTH**

2/15 Colin Jamieson Drive • Welshpool WA 6106  
Free 1800 182 344 • T +61 8 8352 8984 • F +61 8 8234 2212  
BepcoWAsales@tvh.com.au

**SYDNEY**

1/1002-1010 Canley Vale Rd • Wetherill Park NSW 2164  
Free 1800 808 827 • T +61 2 6885 5288 • F +61 3 9796 5251  
BepcoNSWsales@tvh.com.au

**TVH NEW ZEALAND LTD****AUCKLAND**

PO Box 51490 • Pakuranga 2140 • 11K Echelon Place  
East Tamaki • Auckland  
Free 0800 459 662 • T +64 9 274 9695 • F +64 9 274 9698  
info@tvh.co.nz • www.tvh.com

**CHRISTCHURCH**

11C Parkhouse Road  
Wigram • Christchurch 8042  
Free 0508 8 722 867 • T +64 3 550 1298 • F +64 3 974 9993  
infochch@tvh.co.nz

**BEPKO DEUTSCHLAND GmbH**

Neuer Weg 5 • 59505 Bad Sassendorf • Germany  
T +49 (0)2927 919 59 0 • F +49 (0)2927 919 59 59  
info.de@bepcoparts.com • www.bepcoparts.com

**BEPKO NEDERLAND BV**

Den Dolvert 10 • 5473 GP, Heeswijk-Dinther • Nederland  
T +31 (0)413 29 39 75 • F +31 (0)413 29 40 87  
info.nl@bepcoparts.com • www.bepcoparts.com

**BEPKO IBÉRICA SA**

C/ Torrent de Vallmajor, 82  
08915 Badalona (Barcelona) • Spain  
T +34 (0)902 111 062 - 933 810 062 • F +34 (0)933 813 345  
info.es@bepcoparts.com • www.bepcoparts.com

**ALMENDRALEJO**

Ctra. Badajoz - Pol. «Rayvaz» Nave 21  
06200 Almendralejo (Badajoz)  
T +34 (0)902 111 062 - 924 664 890  
F +34 (0)924 664 576

**DOS HERMANAS**

Pol. Ind. La Isla, C/ Hornos, 11  
41703 Dos Hermanas (Sevilla)  
T +34 (0)902 111 062 - 954 931 546  
F +34 (0)954 930 130

**SANTIAGO DE COMPOSTELA**

Pol. El Tambre, Via Faraday, 36  
15890 Santiago de Compostela  
T +34 (0)902 111 062 - 981 560 012  
F +34 (0)981 557 753

**TVH PARTS SOUTH AFRICA (Pty) Ltd**

HEAD OFFICE JOHANNESBURG • www.tvh.com

**CAPE TOWN**

1 Karee Street • Kraaifontein Industries • Cape Town 7571  
T +27 21 988 2432 • F +27 21 988 9127  
capetownsales@tvh.com

**DURBAN**

2 Monaco Place • Westmead • Pinetown 3600  
T +27 31 100 0760 • F +27 31 700 6191  
durbansales@tvh.com

**JOHANNESBURG**

90 Electron Avenue • Isando • Kempton Park 1601  
T +27 11 281 27 00 • F +011 974 9845  
johannesburgsales@tvh.com

**LICHTENBURG**

Shop 1 • 109 Scholtz Street • Lichtenburg 2740  
T +27 18 632 6192/6092 • F +27 18 632 6108  
lichtenburgsales@tvh.com

**PORT ELIZABETH**

134 Kempston Road • Korsten • Port Elizabeth 6020  
T +27 41 453 1404/8 • F +27 41 453 1409  
portelizabethsales@tvh.com

## FOR ALL OUR LATEST CATALOGUE UPDATES AND COMPANY INFO: [WWW.BEPCOPARTS.COM](http://WWW.BEPCOPARTS.COM)



The spare parts mentioned in this list can normally be delivered from stock. In addition, we can supply parts, which are not mentioned in this catalogue, with the shortest possible delivery time. The O.E.M. references are only for indication purposes and do not imply that the spare parts are coming from the manufacturer. This spare parts list can be modified without prior notice. All photographs, drawings, illustrations, brand names, descriptions and numbers are included for identification purposes only.



De onderdelen vermeld in deze lijst, zijn normaal uit voorraad leverbaar, behoudens uitverkocht. Ook niet-vermelde onderdelen kunnen binnen de kortste tijd uitgeleverd worden. De O.E.M. referenties dienen enkel ter indicatie en impliceren niet dat deze van de vermelde constructeur afkomstig zijn. Deze onderdelenlijst kan zonder enige voorafgaande verwittiging aangepast worden. Alle gebruikte foto's, tekeningen, afbeeldingen, merknamen, omschrijvingen en nummers dienen alleen ter identificatie.



Les pièces de rechange, mentionnées dans cette liste, sont normalement livrables du stock. En plus, les articles non indiqués peuvent être fournis en peu de temps. Cette liste peut être modifiée sans avis préalable. Les références O.E.M. sont seulement indicatives et n'impliquent pas que les pièces de rechange viennent du constructeur. Toutes les photographies, illustrations, marques, descriptions, tous les plans et numéros servent exclusivement à une identification.



Die in dieser Liste aufgeführten Teile sind normalerweise aus dem Lager lieferbar. Wir sind zudem in der Lage nicht aufgeführte Teile innerhalb kürzester Zeit zu liefern. Die O.E.M. Referenznummern dienen zur Information und beinhalten nicht, dass diese vom genannten Hersteller kommen. Diese Bestandsliste kann ohne vorhergehende Ankündigung geändert werden. Alle verwendeten Foto's, Zeichnungen, Abbildungen, Markennamen, Beschreibungen und Nummern dienen nur zu Identifikationszwecken.



Los artículos mencionados en este catálogo se encuentran habitualmente en stock. Además, podemos suministrar en un plazo corto de tiempo otros artículos relacionados que no se encuentren expresamente mencionados en este catálogo. Las referencias O.E.M. sirven sólo como indicación y no implican que procedan del constructor. Este listado de productos puede estar sujeto a modificaciones sin aviso previo. Todas las fotos, dibujos, ilustraciones, nombres de marca, descripciones y números se han incluido simplemente con el propósito de su identificación.



I pezzi di ricambio, menzionati in questo listino, possono essere forniti con una consegna immediata a condizione che non siano esauriti. I pezzi di ricambio non menzionati possono essere forniti in poco tempo. Le referenze O.E.M. sono solamente indicative e non implicano che i pezzi di ricambio vengano da questo costruttore. Questa lista ricambi può essere aggiustata senza avvisi anticipati. Tutti i numeri, codici, nomi, foto, spaccati e disegni sono solo a titolo informativo.



Części z tego katalogu są zazwyczaj na stanie magazynowym. Również części które nie są wyszczególnione w katalogu mogą być dostarczone na zamówienie w najkrótszym możliwym terminie. Opis części O.E.M. jest używany informacyjnie i nie wskazuje na to, że dany produkt jest wyprodukowany przez podanego producenta. Zawartość katalogu może ulec zmianie bez wcześniejszego informowania o tym. Wszystkie użyte zdjęcia, rysunki, nazwy marek, opis i numery służą tylko do identyfikacji.



Запчасти из настоящего списка, как правило, имеются в запасе, если только он не распродан. Прочие, не фигурирующие в списке артикулы, могут быть поставлены в самые кратчайшие сроки. Указание оригинальных номеров производителя не предполагает обязательного оригинального происхождения самих деталей. Данный список может изменяться без предварительного уведомления. Все использованные фото, рисунки, иллюстрации, названия брендов, наименования и номера служат исключительно для цели идентификации.

Visitez notre site :  
**[www.bepcoparts.com](http://www.bepcoparts.com)**

© **bepco 2016**

Tous droits réservés. Aucune partie de ce catalogue ne peut, ni intégralement, ni partiellement être reproduite ou communiquée (copiée, sauvegardée, utilisée dans un système de sauvegarde de données, etc) sous n'importe quelle forme, soit numérique ou mécanique, sans accord préalable et explicite de la société BEPCO PARTS.

- BEPCO est un fournisseur de pièces de rechange et accessoires d'après-vente qui sont appropriés pour l'entretien et la réparation des équipements OEM. Les Références OEM et marques sont à titre purement indicatif et ne signifient pas que les accessoires et/ou pièces de rechange viennent du fabricant de l'équipement ou des pièces d'origine.
- Les produits qui ne sont pas conformes aux exigences réglementaires concernant la conformité de la CE ne sont pas mis sur le marché dans l'Espace économique européen.
- BEPCO® est une marque déposée.
- Toutes les ventes sont soumises aux termes et conditions générales de vente sur [www.bepcoparts.com](http://www.bepcoparts.com)
- Les photographies et les illustrations sont inclus à titre de référence seulement. Sous réserve d'erreurs d'impression.

Visit us on the Internet:  
**[www.bepcoparts.com](http://www.bepcoparts.com)**

© **bepco** 2016

All rights reserved. No part of this catalogue may be reproduced or communicated in any form or by any means, electronic or mechanical, including copying, recording or use in an information storage or retrieval system, without prior and explicit permission of BEPCO PARTS.

- BEPCO is a supplier of after-market spare parts and accessories that are suitable for the maintenance and repair of OEM-equipment. OEM references and brands are purely indicative and do not imply that the accessories and/or spare parts are coming from the original equipment or parts manufacturer.
- Products that do not comply with regulatory requirements concerning CE conformity are not placed on the market in the European Economic Area.
- BEPCO® are registered trademarks.
- All sales are subject to the general terms & conditions of sale on [www.bepcoparts.com](http://www.bepcoparts.com)
- Photographs and illustrations are included for reference purposes only. Printing errors reserved.

**Pièces détachées**  
*de A à Z*  
**toutes marques**

**Spare parts**  
*from A-Z for*  
**all brands**

**Massey Ferguson**

Case IH  
David Brown  
Fendt  
Fiat  
Ford  
Hürlimann  
JCB  
John Deere  
K.H.D. (Deutz)  
Kubota  
Landini  
Lamborghini  
Manitou

Mc Cormick  
Merlo  
New Holland  
Renault  
Same  
Steyr  
Valmet  
Zetor

*moving forward in every field*

REF. B52753



**HEAD OFFICE**

Rue Chaumont 4D • 4480 Hermalle-sous-Huy • Belgium  
T +32 (0)85 24 54 00 • F +32 (0)800 23 132 • info.be@bepcoparts.com • www.bepcoparts.com

Member of **TVH** 